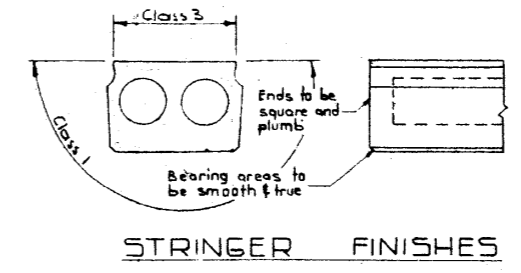
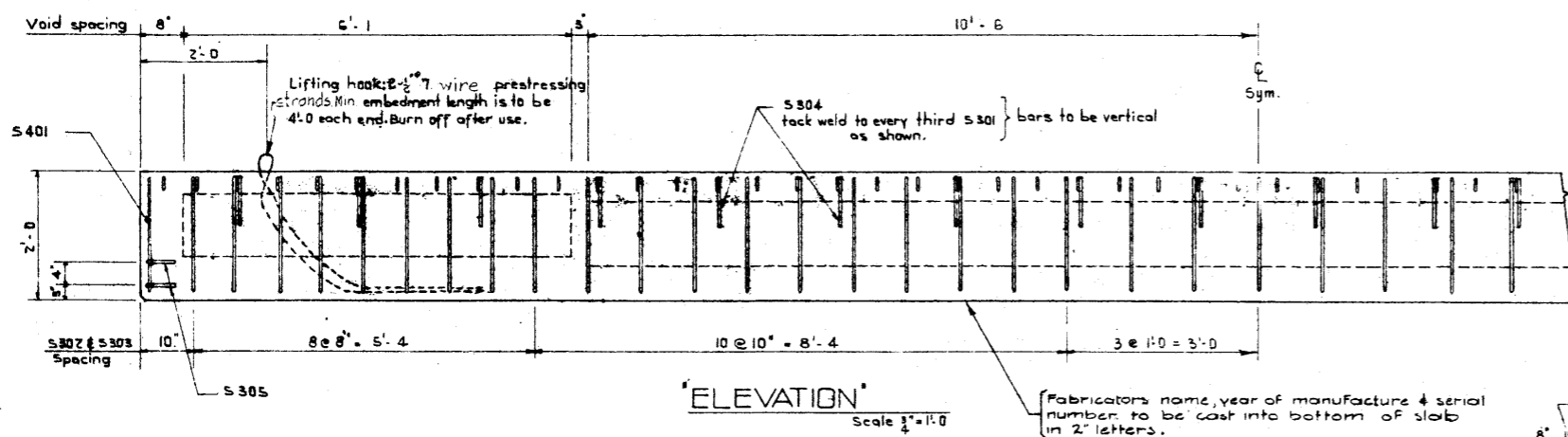
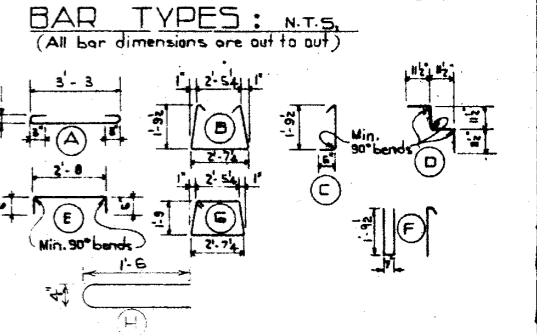


BAR LIST

MARK	SIZE	NO	TYPE	LENGTH	WEIGHT
S 301	3	56	A	4' - 0"	84#
S 302	3	43	B	6' - 10"	110#
S 303	3	43	C	2' - 7"	42#
S 304	3	18	D	3' - 10"	26#
S 305	3	4	E	3' - 8"	6#
S 401	4	2	G	9' - 4"	12#
E401	4	4	F	5' - 2"	14#
S402	4	6	H	3' - 2"	12#
Total:					307#



GENERAL NOTES

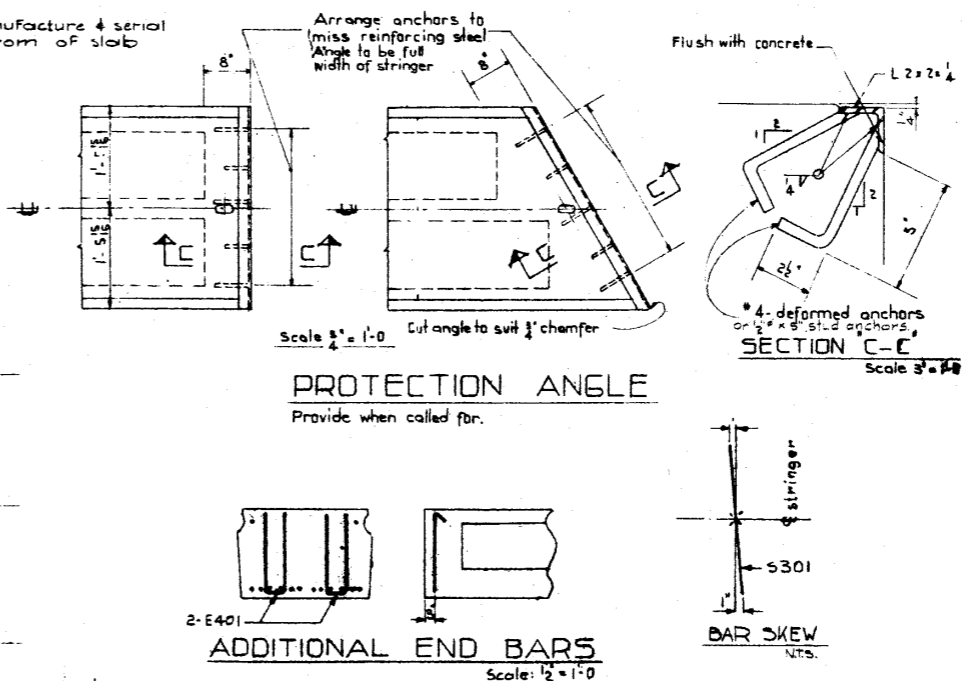
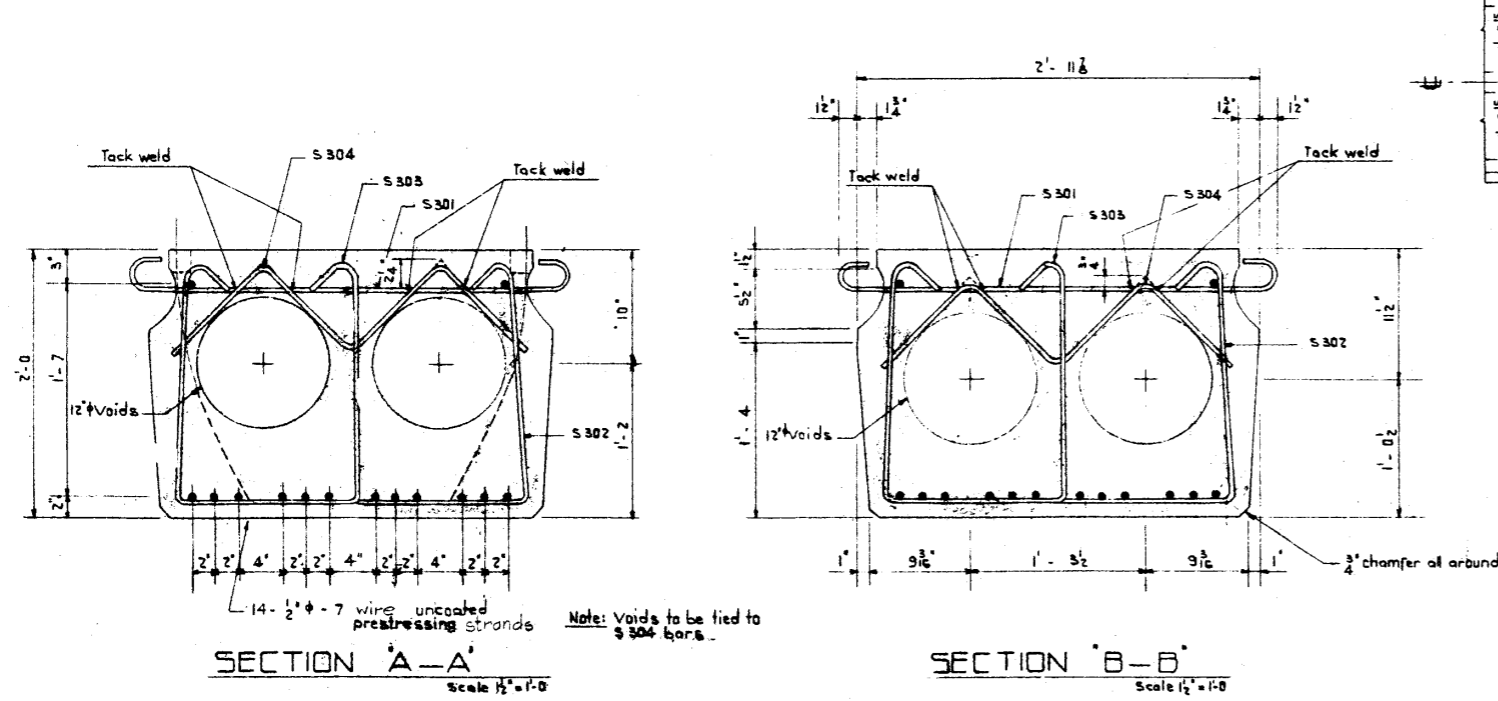
DESIGN  
A.A.S.H.O. 1961 Specifications except allowable initial concrete stress = 285 p.s.i. in tension.  
Loading: 3/5 of one wheel line of an H20-S16-44 truck plus full dead load plus 2" wearing surface.

MATERIALS  
Concrete shall be of standard weight aggregate with a maximum size of 3/4". Minimum compressive strength shall be 5000 p.s.i. at 28 days. Air entrainment shall be not less than 5%.

FABRICATION  
Reinforcement: Diameters of all bends and details of all hooks unless otherwise noted shall conform to the recommended sizes detailed in the A.C.I. Manual of Standard Practice for Detailing Reinforced Concrete Structures.  
Prestressing Steel: Initial tensioning load = 25.2 k/Strand  
Design load = 20.16 k/Strand  
Concrete must attain 4,000 p.s.i. compressive strength before the prestressing force is transferred.  
Anchor bolt assemblies are to be cast in stringer at spacings as required.

ERECTOR  
Units are to conform to the requirements of the Bridge Branch Specifications for Prestressed Concrete Bridge Units.  
The surface of grout keys shall be sandblasted. If end blockouts are called for their surfaces shall be sandblasted.

ERECTOR  
Lifting force at each hook must be not more than 35° from the vertical line at all times. Stringer surface must be level at all times.



APPROVED: *[Signature]*  
DATE: Oct 29/70

SUPERSEDED BY S-869-73 (2A)

PRESTRESSED CONCRETE  
35 FT. SPAN  
TYPE M STRINGER

GOVERNMENT OF THE PROVINCE OF ALBERTA  
DEPARTMENT OF HIGHWAYS  
BRIDGE BRANCH, EDMONTON

NO.	DATE	DESCRIPTION	BY
1	Oct. 28, 1970	Redrawn	S.L.

REVISIONS

FILE NO. S-869-70  
SHEET 1 OF 1

DESIGNED BY: L. Kehrigmann  
DATE: May 5, 1965

CHECKED BY: [Blank]  
DATE: [Blank]