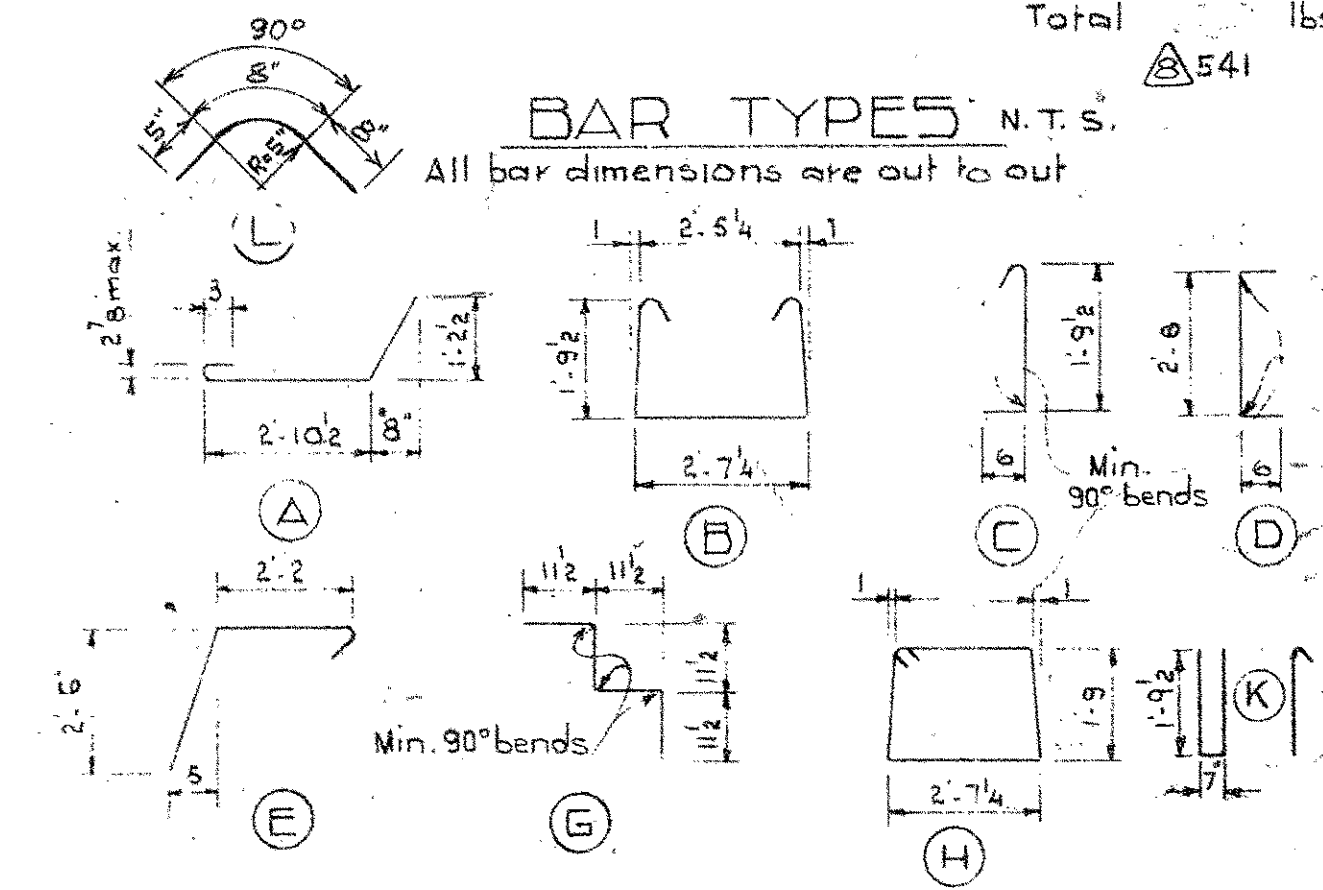


BAR LIST

Mark	Size	No.	Type	Length	Weight
CS301	3	56	A	4'-7"	
S302	3	125	B	6'-10"	
S303	3	43	C	2'-7"	
S304	3	20	G	3'-10"	
S305	3	4	D	3'-6"	
S401	4	2	H	9'-4"	
S402	4		SHV		
S501	5		E	5'-2"	
E401	4	4	K	5'-2"	14
S306	3	14	L	1'-9"	9
Total					541 lbs

BAR TYPES N.T.S.



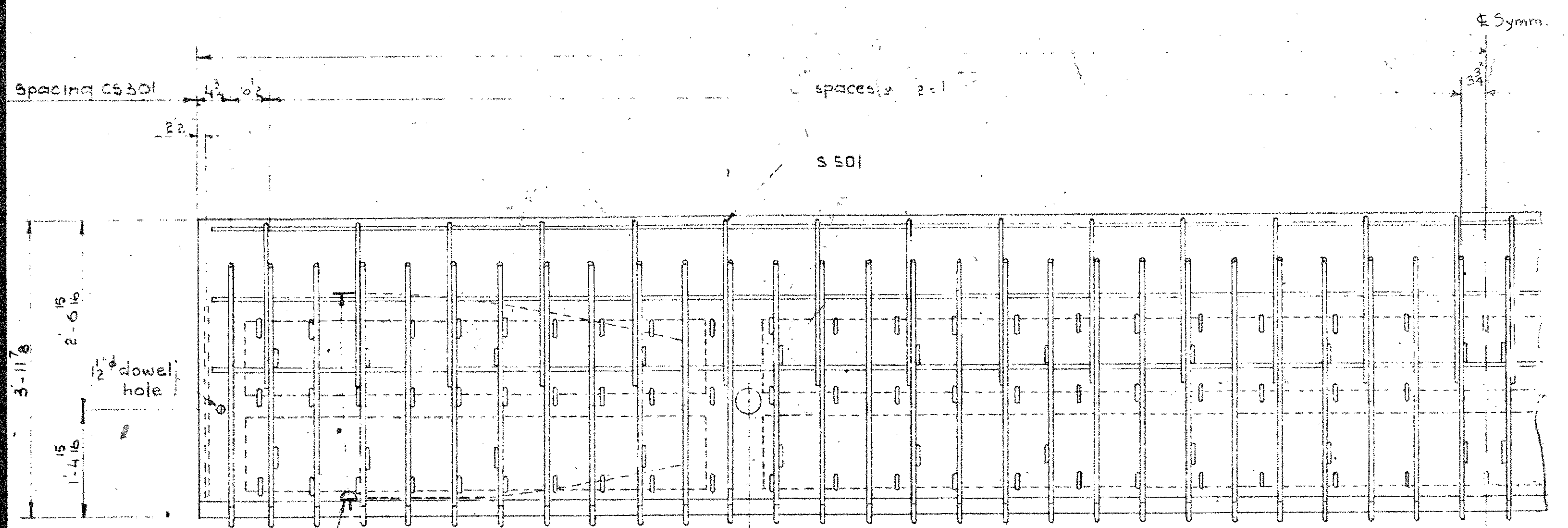
GENERAL NOTES

DESIGN
A.A.S.H.O. 1961 Specifications except allowable initial concrete stress = 285 p.s.i. in tension.

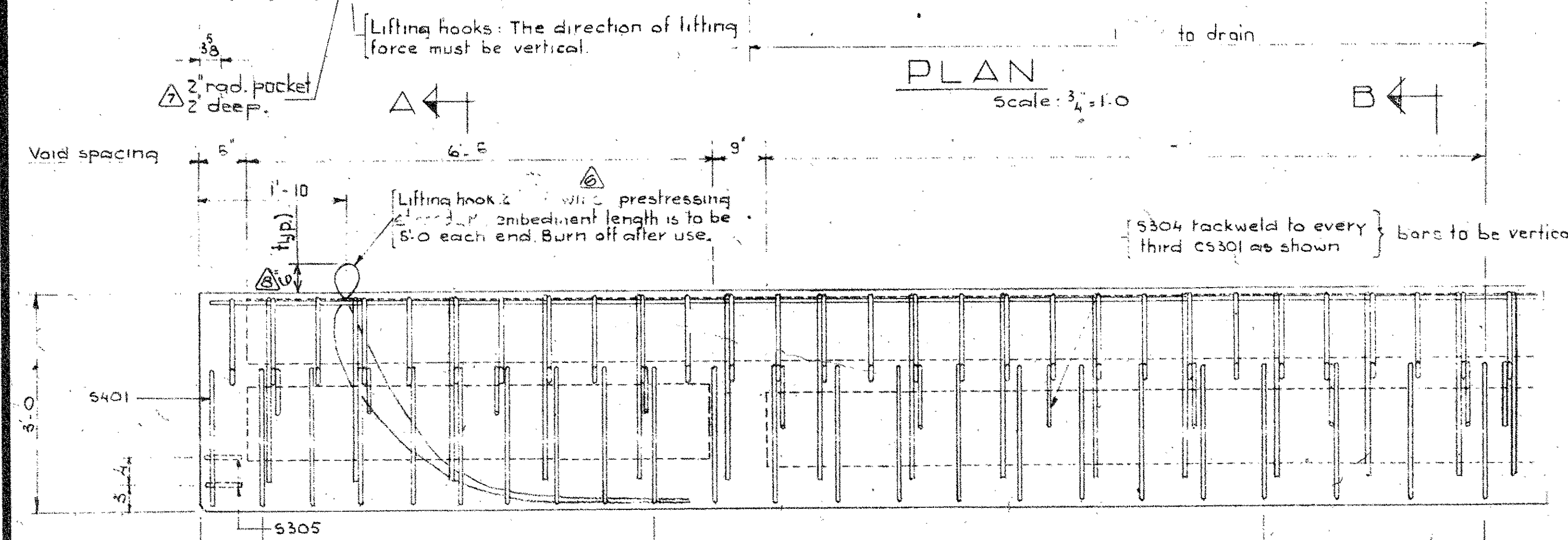
Loading: 3/5 of one wheel line of an H20-S16-44 truck plus full dead load plus 2" wearing surface.

MATERIALS
Concrete shall be of standard weight aggregate with a maximum size of 2". Minimum compressive strength shall be 5000 p.s.i. at 28 days. An entrainment to be not less than 5%.

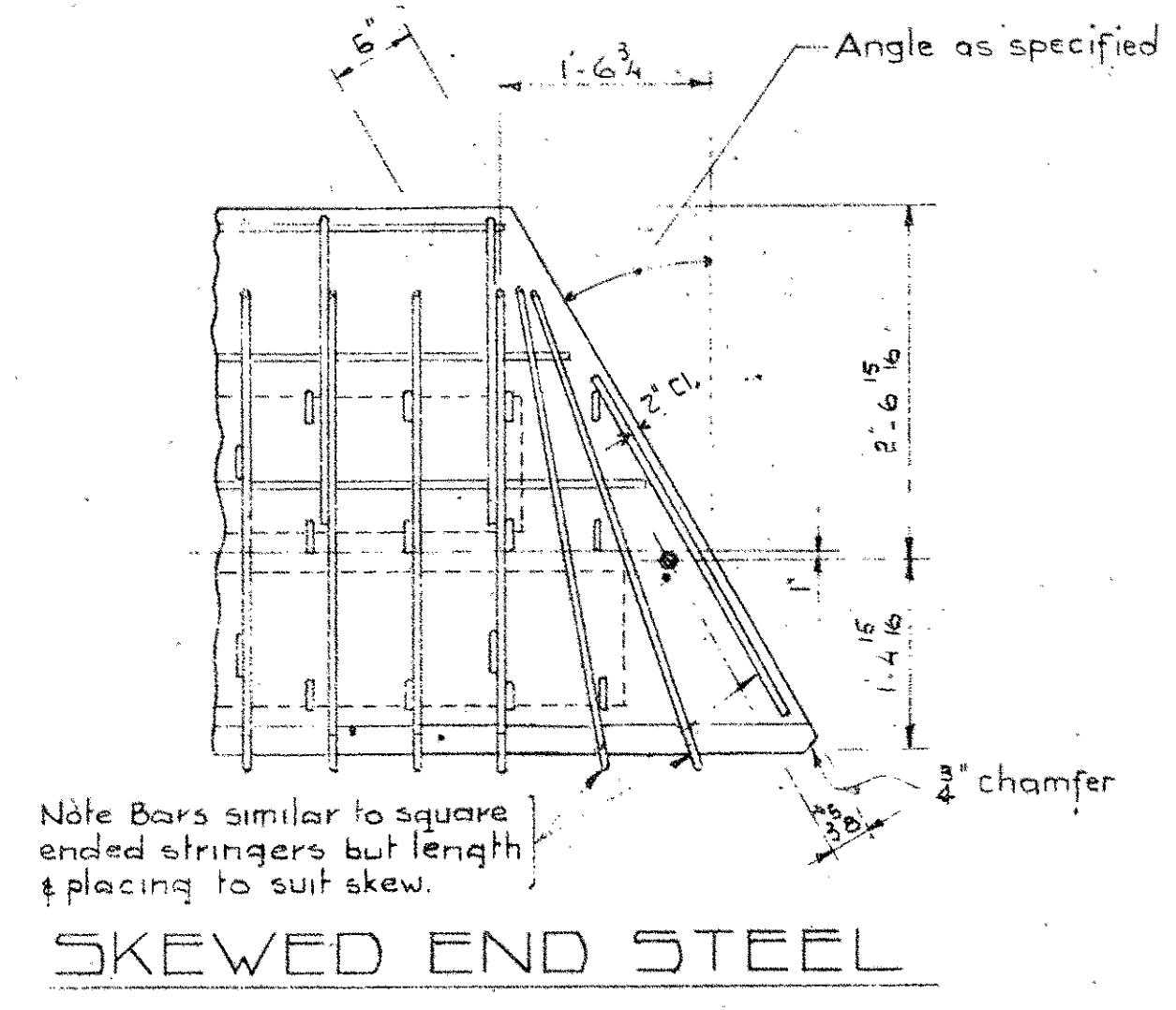
FABRICATION
Reinforcement: Diameters of all bends shall conform to the recommended sizes and all hooks, unless otherwise noted shall conform to the recommended sizes detailed in the A.C.I. Manual of Standard Practice for Detailing Reinforced Concrete Structures.
Prestressing steel: Initial tensioning load = 25.2 k/Cable/
Design load = 20.16 k/Cable
Concrete must attain 4,000 p.s.i. compressive strength before the prestressing force is transferred.
Anchor bolt assemblies are to be cast in stringer at spacings as req'd. Units are to conform to the requirements of the Bridge Branch Specifications for Prestressed Concrete Bridge Units.



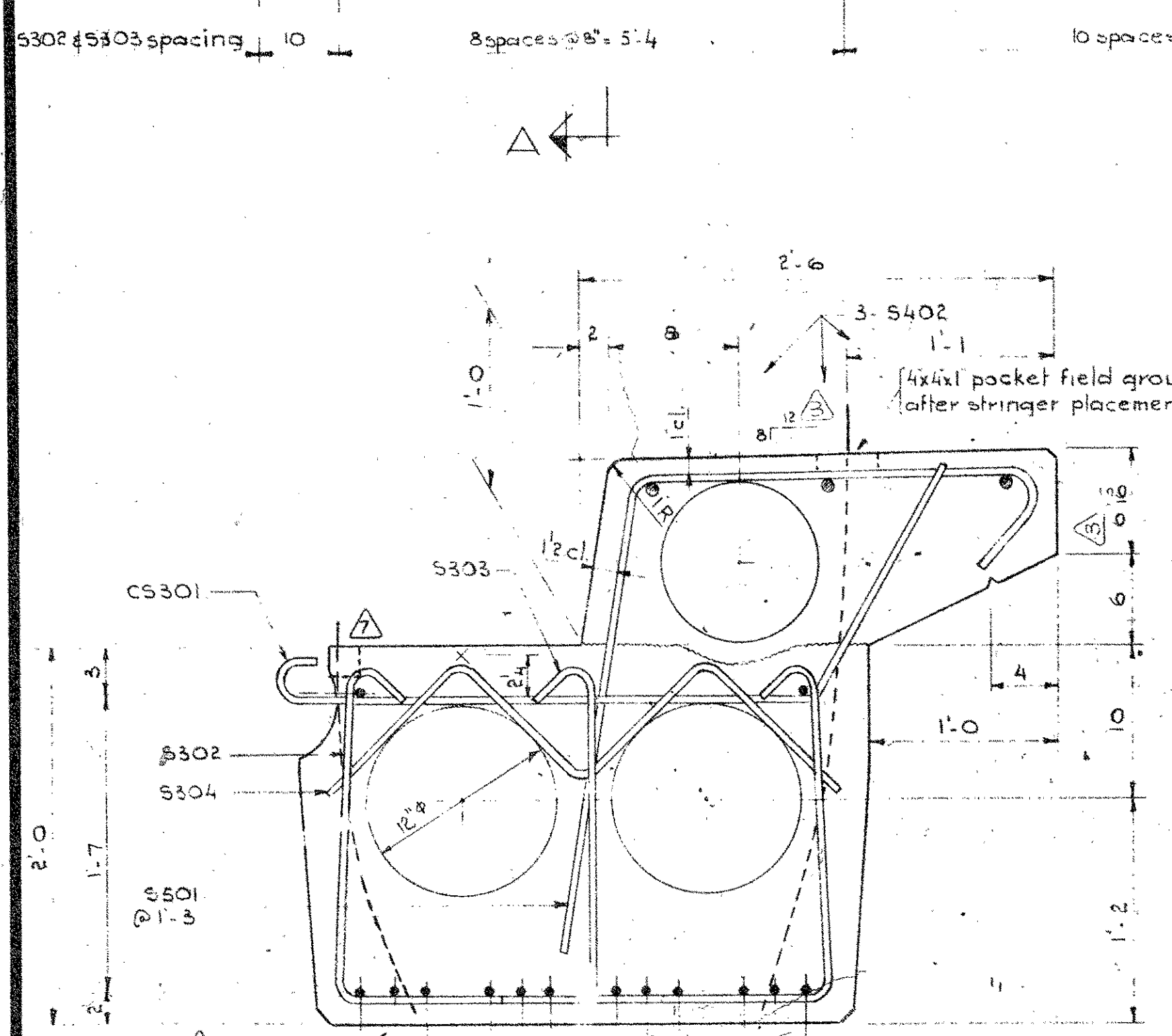
PLAN
Scale: 3/4" = 1'-0"



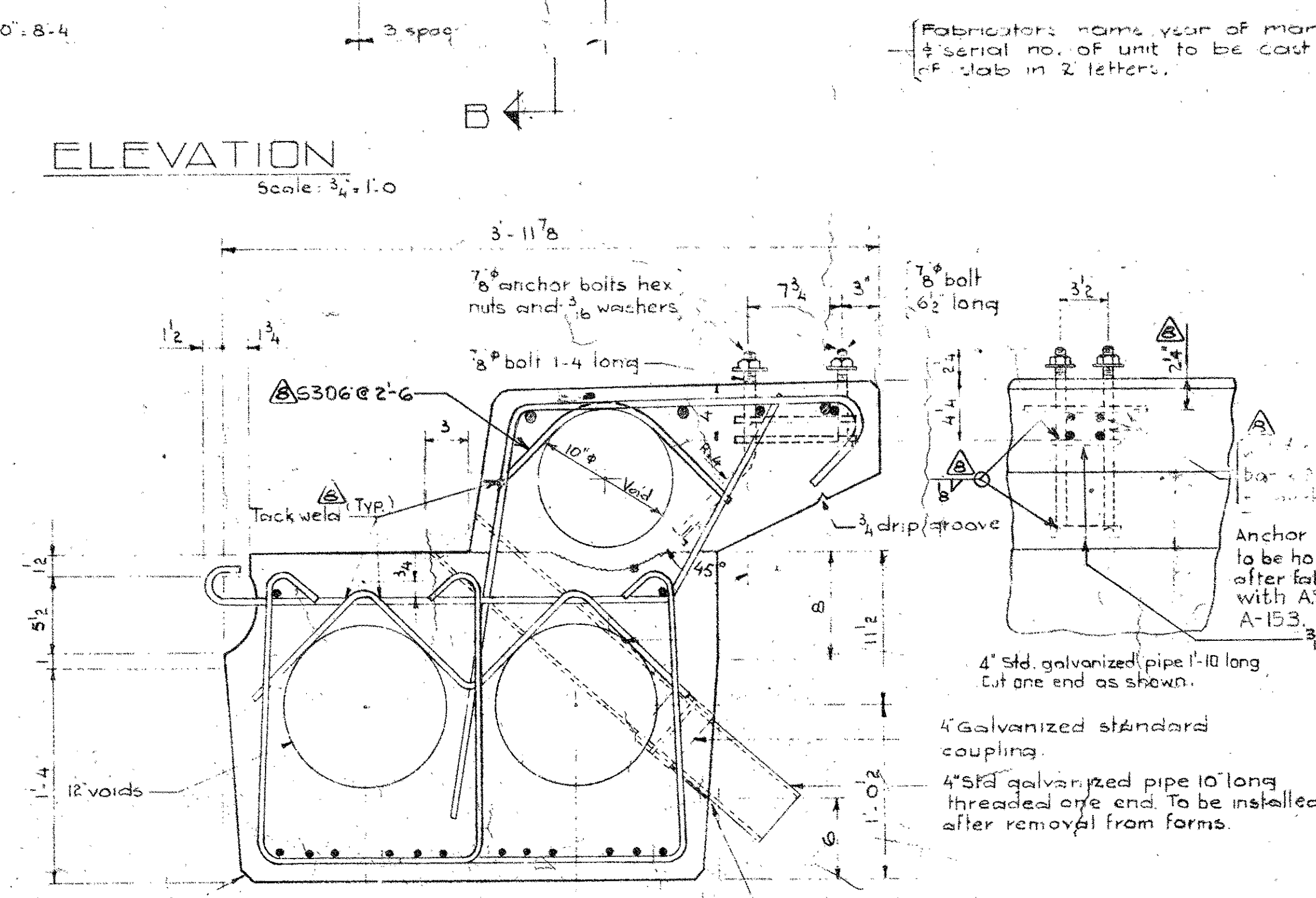
ELEVATION
Scale: 3/4" = 1'-0"



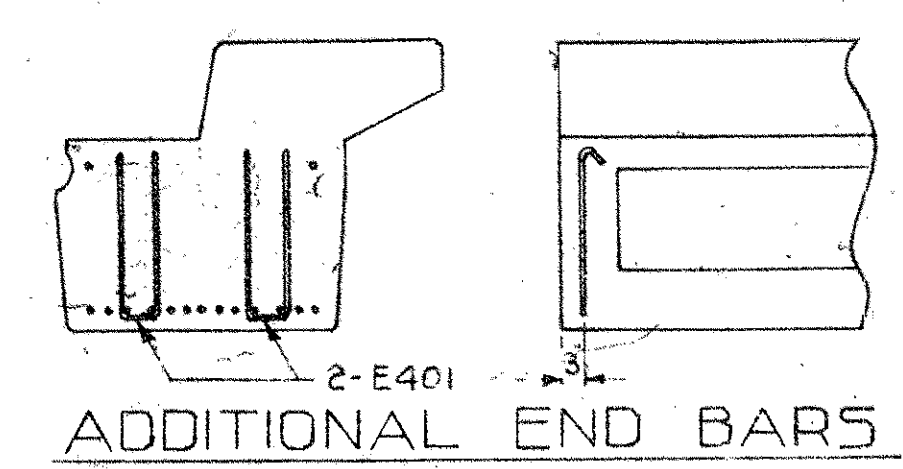
SKewed END STEEL



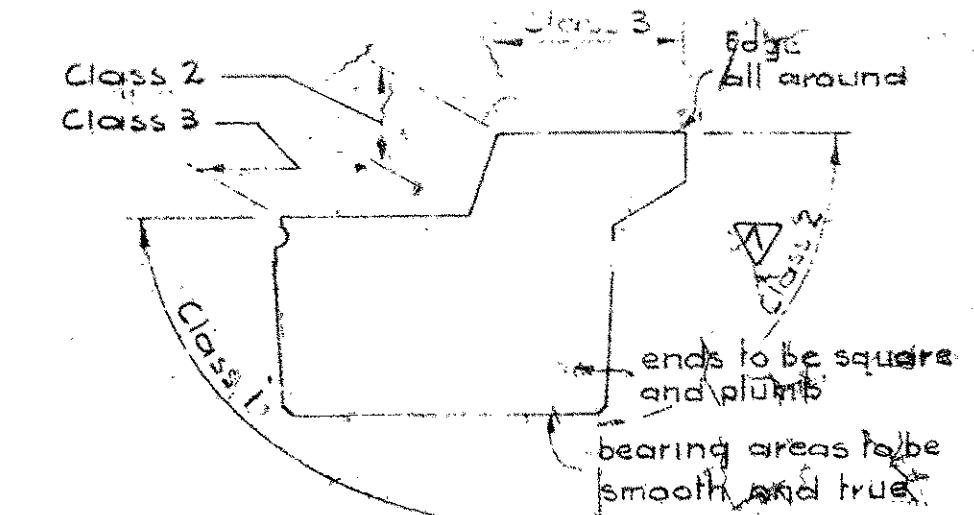
SECTION A-A
Scale: 1/2" = 1'-0"



SECTION B-B
Scale: 1/2" = 1'-0"



ADDITIONAL END BARS



STRINGER FINISHES

NO.	DATE	DESCRIPTION	BY
1	Sep. 16/69	Bars, anchor bolts, notes, etc.	R.W.K.
2	Feb. 11/69	Lifting hook & surface finish	L.K.
3	Feb. 26/68	Prestressing strands	R.Ch.

NO.	DATE	DESCRIPTION	BY
1	Feb. 20/67	ASIM Spec. added	R.W.K.
2	Feb. 20/67	ASIM Spec. added	R.W.K.
3	Feb. 20/67	ASIM Spec. added	R.W.K.

PRESTRESSED CONCRETE
35 FT SPAN
TYPE M CURB STRINGER

GOVERNMENT OF THE PROVINCE OF ALBERTA
DEPARTMENT OF HIGHWAYS
BRIDGE BRANCH, EDMONTON

FILE NO. _____ HWY. NO. _____ DWG. NO. **5-870-69**
LOCATION _____ SCALE **1/8" = 1'-0"** SHEET _____ OF _____

DESIGNED BY _____ DATE _____
 CHECKED BY _____ DATE _____
 R. Eberboas

SUPERSEDED
BY 5-870-70