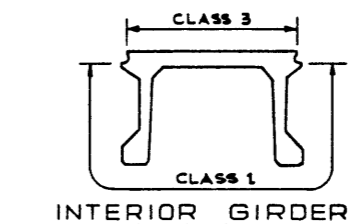
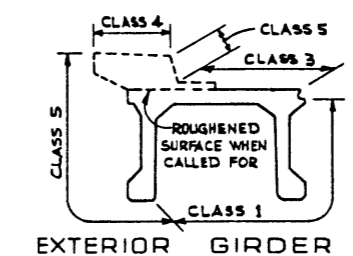


BAR LIST: FOR UNSKEWED GIRDER

MARK	SIZE	NO.	TYPE	X	Y	LENGTH	WEIGHT
S 301	3	108	C			1'-6"	61
S 401	4	7	STR.			34'-8"	162
S 402	4	40	B			6'-4"	169
B 501	5	82	STR.			4'-9"	406
T 401	4	64	A			4'-8"	200
T 402	4	14	E			3'-0"	28
T 601	6	4	D	4'-6"		6'-6"	39
D 601	6	4	D	4'-2"		6'-2"	37
D 602	6	4	D	5'-0"		7'-0"	42

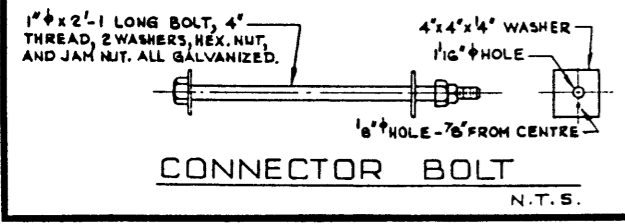
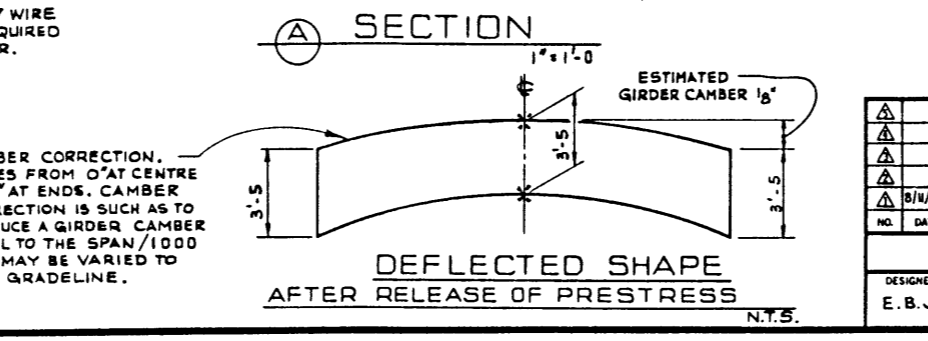
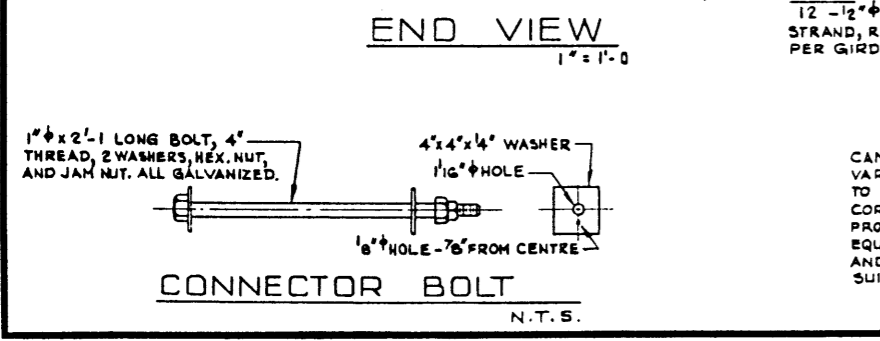
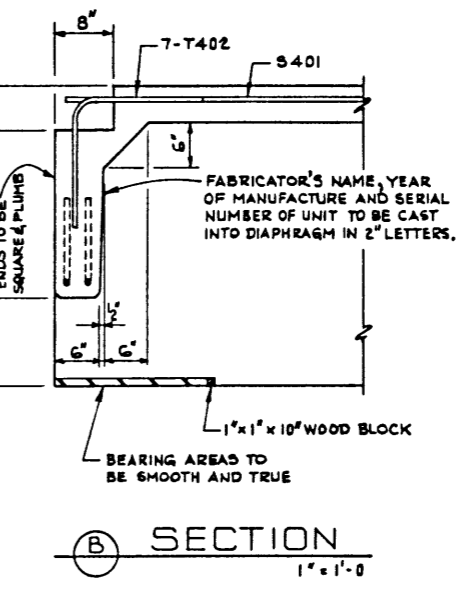
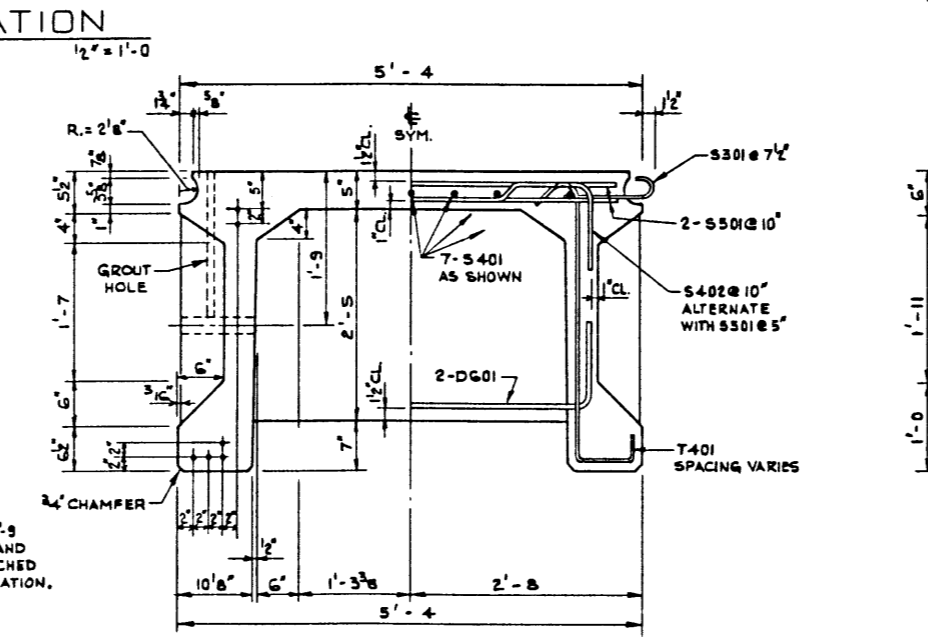
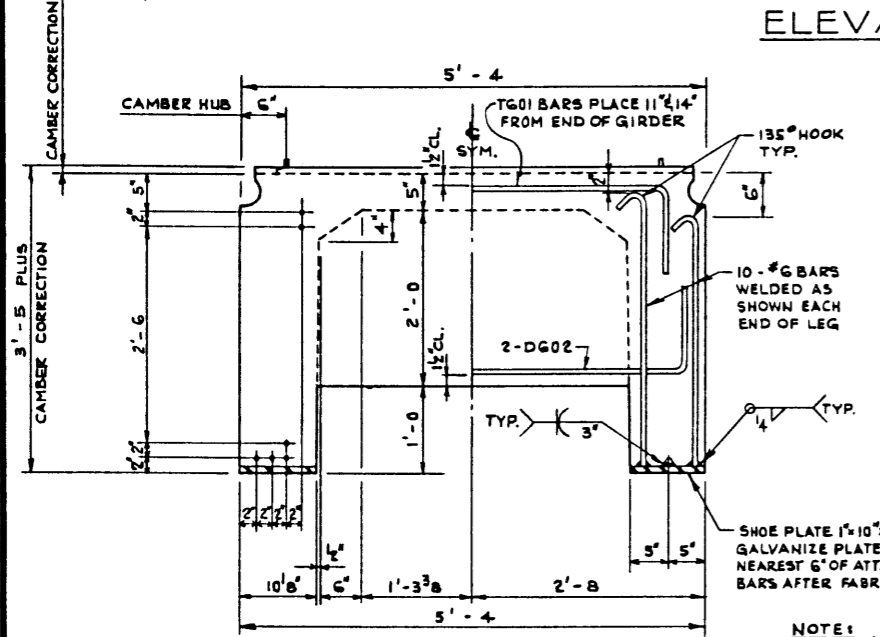
TOTAL LBS: 1,144



GIRDER FINISHES
N.T.S.

GENERAL NOTES:

- DESIGN:**
- A.A.S.H.O. 1969 SPECIFICATION EXCEPT ALLOWABLE FINAL CONCRETE STRESS = 420 P.S.I. IN TENSION.
 - LOADING: 0.90 OF ONE WHEEL LINE OF AN HS 20-44 TRUCK PLUS FULL DEAD LOAD PLUS 2 1/2" WEARING SURFACE.
- MATERIALS:**
- CONCRETE SHALL BE OF STANDARD WEIGHT AGGREGATE WITH A MAXIMUM SIZE OF 3/4". MINIMUM COMPRESSIVE STRENGTH SHALL BE 5,000 P.S.I. AT 28 DAYS. ENTRAINED AIR SHALL BE NOT LESS THAN 5%.
 - PRESTRESSING STEEL SHALL BE 1/2" DIAMETER - 7 WIRE 270 K STRAND.
- FABRICATION:**
- GIRDERS SHALL CONFORM TO THE REQUIREMENTS OF THE ALBERTA BRIDGE BRANCH SPECIFICATION B 190-64 FOR THE MANUFACTURE OF PRESTRESSED CONCRETE BRIDGE UNITS.
 - REINFORCEMENT: DIAMETERS OF ALL BENDS SHALL CONFORM TO THE RECOMMENDED MINIMUMS AND ALL HOOKS, UNLESS OTHERWISE NOTED, SHALL CONFORM TO THE RECOMMENDED SIZES DETAILED IN THE A.C.I. MANUAL OF STANDARD PRACTICE FOR DETAILING REINFORCED CONCRETE STRUCTURES.
 - PRESTRESSING STEEL: INITIAL TENSIONING LOAD = 28.91 K/STRAND DESIGN LOAD = 25.40 K/STRAND
 - CONCRETE MUST ATTAIN 4,000 P.S.I. COMPRESSIVE STRENGTH BEFORE THE PRESTRESSING FORCE IS TRANSFERRED.
 - GALVANIZING SHALL BE IN ACCORDANCE WITH ASTM SPECIFICATION A 153.
 - SHEAR KEYS AND BLOCKOUTS SHALL BE SANDBLAST ROUGHENED BY THE GIRDER FABRICATOR TO THE APPROVAL OF THE ENGINEER.
 - RIBS AND CONNECTOR BOLT HOLES SHALL BE OMITTED ON OUTSIDE LEGS OF EXTERIOR GIRDERS.
 - EXTERIOR GIRDER DIAPHRAGMS SHALL BE SPACED AT 13'-6" MAXIMUM.
 - CONNECTOR BOLTS, WASHERS, HEX NUTS, JAM NUTS AND ROOFOAM GASKETS SHALL BE SUPPLIED WITH THE GIRDERS.
- ERECTION:**
- LIFTING FORCE AT EACH HOOK MUST BE VERTICAL AT ALL TIMES. GIRDER SURFACE MUST BE LEVEL AT ALL TIMES.



NOTE 1
12 - 1/2" x 7 WIRE STRAND, REQUIRED PER GIRDER.

CAMBER CORRECTION.
VARIES FROM 0" AT CENTRE TO 0" AT ENDS. CAMBER CORRECTION IS SUCH AS TO PRODUCE A GIRDER CAMBER EQUAL TO THE SPAN/1000 AND MAY BE VARIED TO SUIT GRADELINE.

APPROVED		PROVINCE OF ALBERTA DEPARTMENT OF HIGHWAYS AND TRANSPORT BRIDGE BRANCH	
E.B.J.		PRESTRESSED CONCRETE 35'-0" TYPE FC - 41" GIRDER	
DESIGNED		NO. DATE DESCRIPTION BY	
DRAWN BY		REVISIONS	
DATE		DESIGNED	
CHECKED BY		DRAWN BY	
DATE		DATE	
STREAM		LOCATION	
HWY. NO.		SCALE	
FILE NO.		SHEET	
DWC NO.		S-874-73	