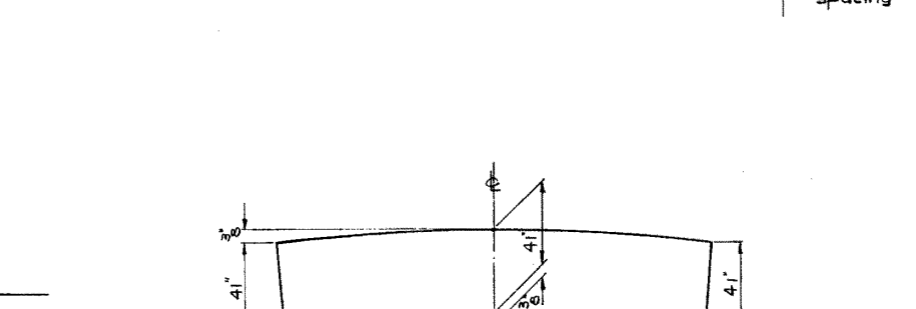
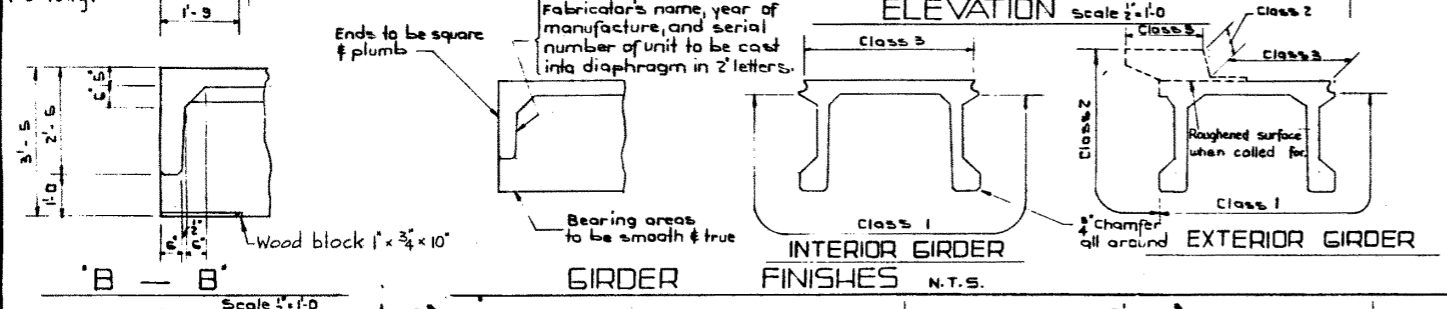
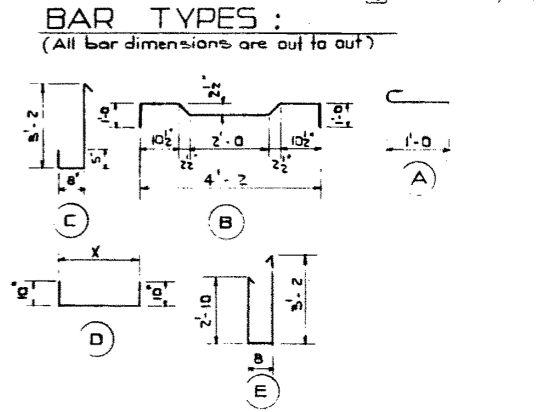
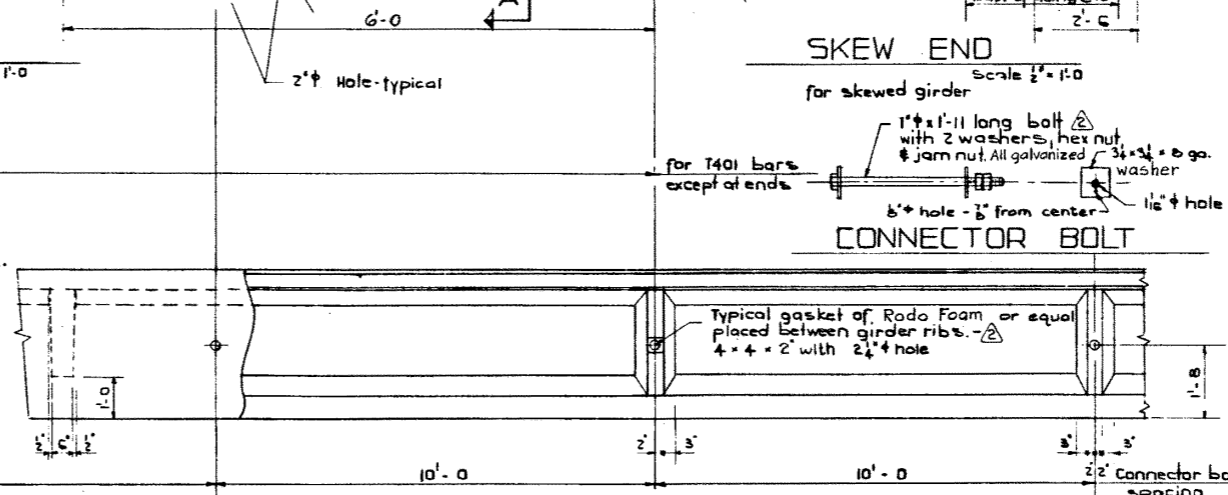
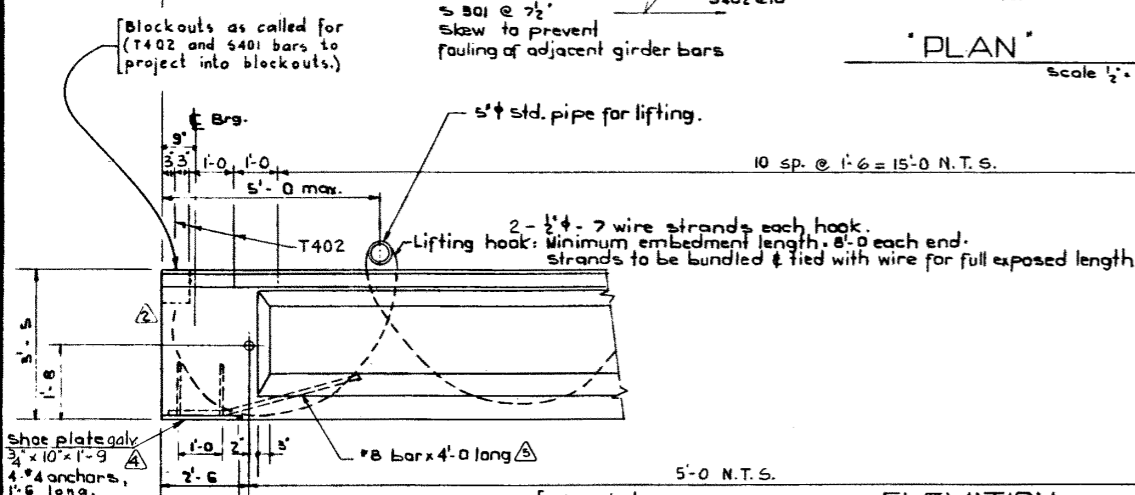


BAR LIST For unskewed Girder						
MARK	SIZE	NO	SYM	LENGTH	WEIGHT	
S 301	3	112	A	1'-6	63	
S 401	4	7	Str.	34'-8	162	
S 402	4	42	B	6'-4	178	
S 501	5	86	Str.	4'-9	426	
T 401	4	42	C	4'-9	133	
D 601	6	4	D	4'-2	35	
D 602	6	4	D	5'-0	40	
T 402	4	12	E	7'-6	61	
T 601	6	24	Str.	2'-11	105	
						Total lbs: 1,203



GENERAL NOTES:

DESIGN
A.A.S.H.O. 1961 Specification

Loading: 0.90 of one wheel line of an H20-S16-44 truck plus full dead load plus 2" wearing surface

MATERIALS
Concrete shall be of standard weight aggregate with a maximum size of 3/4". Minimum compressive strength shall be 5000 p.s.i. at 28 days. Entrained air shall be not less than 5%.

Prestressing steel is 1/2" - 7 wire strand

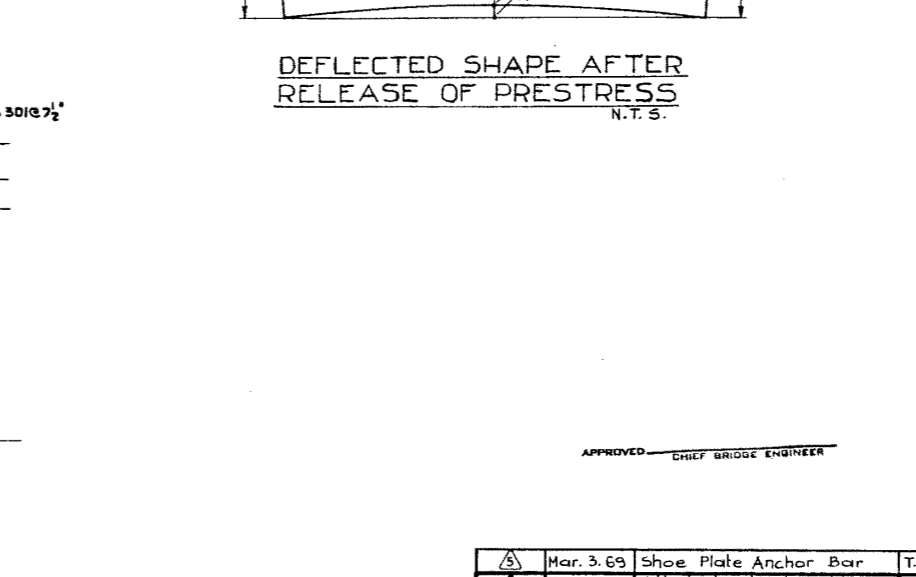
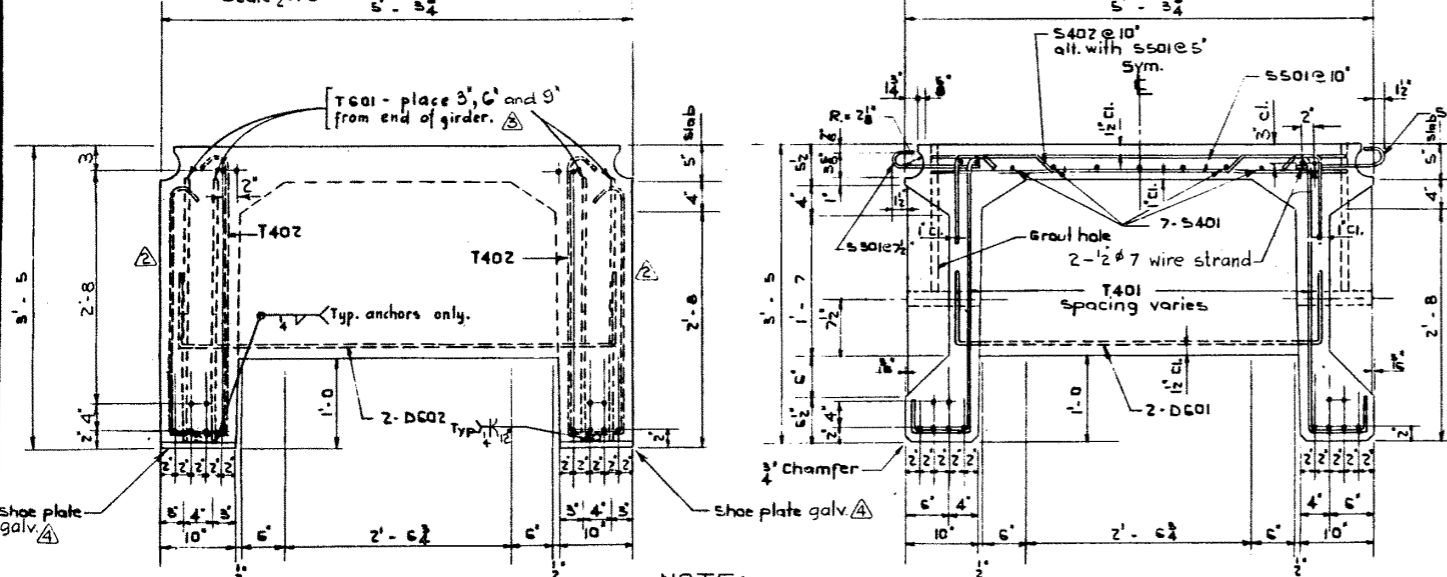
FABRICATION
Reinforcement: Diameters of all bends shall conform to the recommended sizes and all hooks, unless otherwise noted shall conform to the recommended sizes detailed in the A.C.I. Manual of Standard Practice for Detailing Reinforced Concrete Structures.

Prestressing steel: Initial tensioning load - 25.2 k/strand
Design Load - 20.2 k/strand

Concrete must attain 4000 p.s.i. compressive strength before the prestressing force is transferred.

Galvanizing shall be in accordance with A.S.T.M.-Spec. A153

Units are to conform to the requirements of the Alberta Bridge Branch Specification B190-64 for the Manufacture of Prestressed Concrete Bridge Units.



NOTE:
16-12 # 7 wire strand required per girder.

APPROVED: CHIEF BRIDGE ENGINEER

SUPERSEDED

PRESTRESSED CONCRETE
35'-0 TYPE FC GIRDER

GOVERNMENT OF THE PROVINCE OF ALBERTA
DEPARTMENT OF HIGHWAYS
BRIDGE BRANCH, EDMONTON

FILE NO. _____ HWY. NO. _____ DWS. NO. _____
LOCATION _____ SCALE _____ SHEET _____ OF _____

NO.	DATE	DESCRIPTION	BY
1	Mar. 3/69	Shoe Plate Anchor Bar	T.B.
2	Nov. 8/68	1" hole & gally shoe #	R.Ch.
3	Apr. 23/68	T401 quantity - S402 weight	P.C.C.
4	Nov. 30/67	General Revisions	D.C.
5	Nov. 8/65	Drawn from Dwg. S-864	R.C.

DESIGNED BY: L. Kohlmann
DATE: February 19, 64

CHECKED BY: _____
DATE: _____