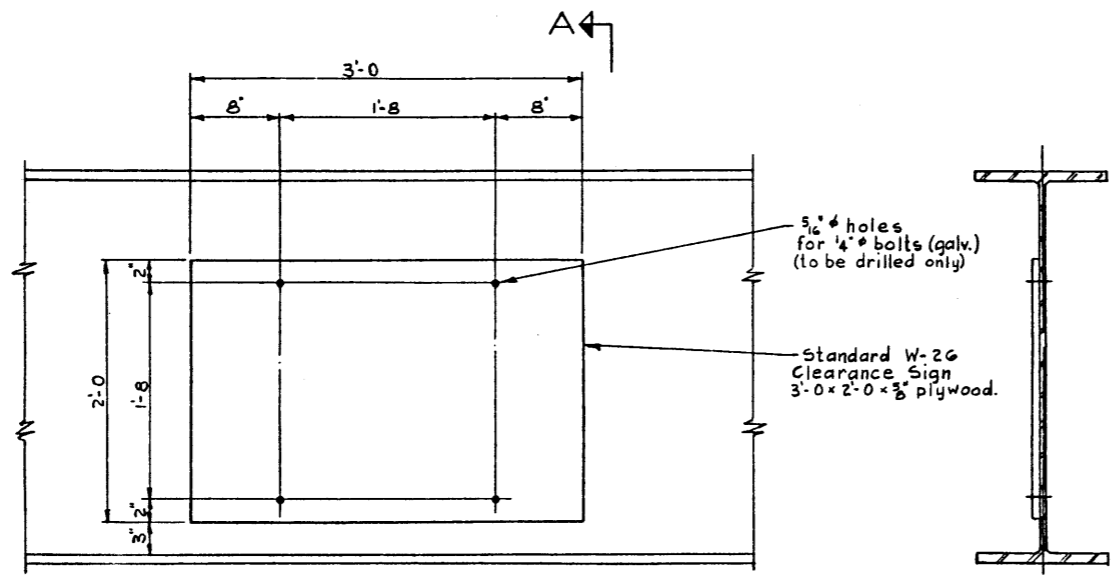


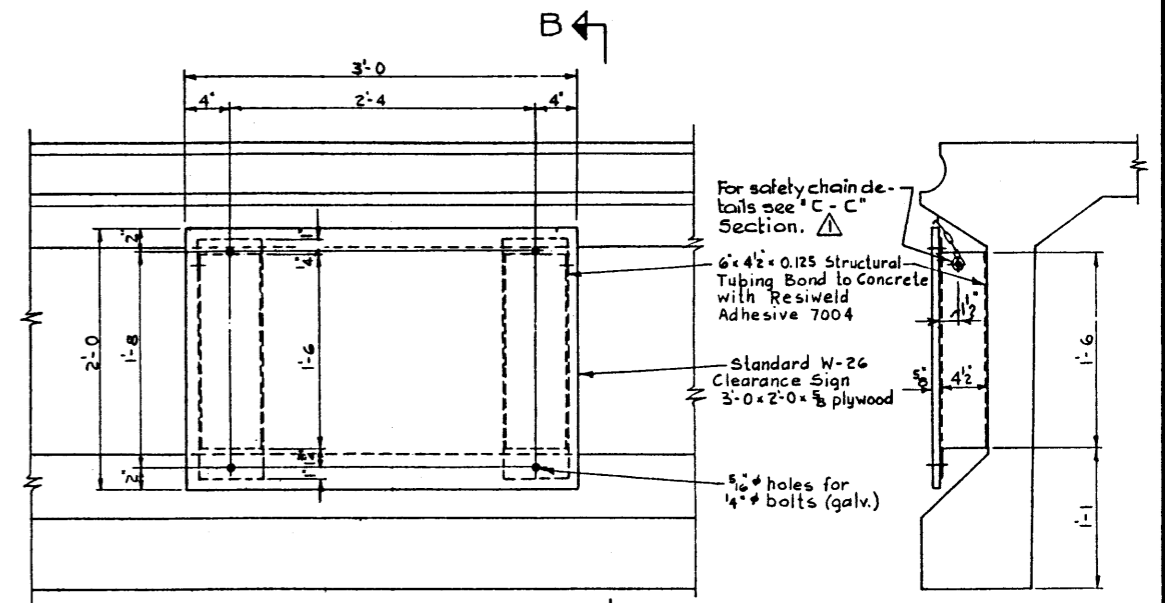
DESIGNED BY R. W. Kornelsen
 CHECKED BY R. J. Christ
 DATE JANUARY 19 66
 DATE JANUARY 19 66
 CHECKED BY



ELEVATION
 Scale: 1/2" = 1'-0"

A - A
 Scale: 1/2" = 1'-0"

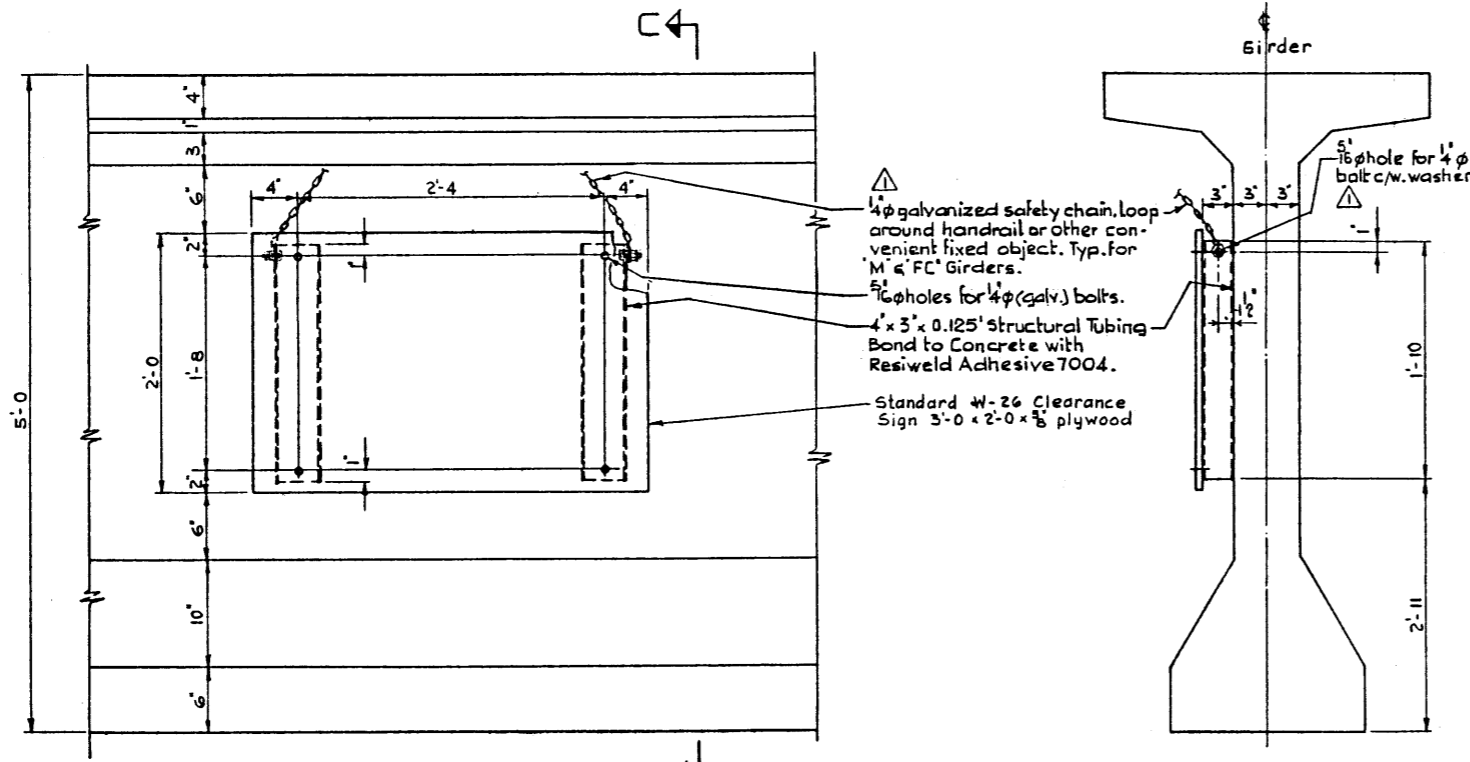
STEEL GIRDER



ELEVATION
 Scale: 1/2" = 1'-0"

B - B
 Scale: 1/2" = 1'-0"

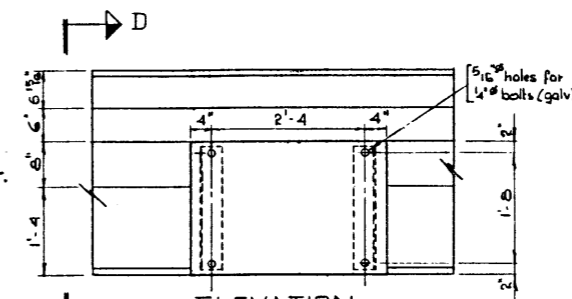
TYPE FC GIRDER



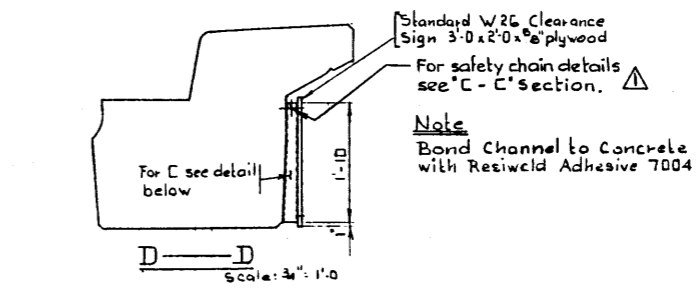
ELEVATION
 Scale: 1/2" = 1'-0"

C - C
 Scale: 1/2" = 1'-0"

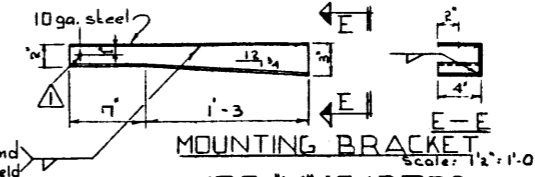
TYPE O' PRE-STRESSED GIRDER



ELEVATION
 Scale: 3/4" = 1'-0"



D - D
 Scale: 3/4" = 1'-0"



E - E
 Scale: 1/2" = 1'-0"

MOUNTING BRACKET
 TYPE M' GIRDER

NOTES

- Strength of glued connection to be tested before mounting sign by suspending a minimum load of 200 lb. from each tube or channel.
- Paint: One coat red lead paint. One coat aluminum paint on tube or channel except glued surface which is to be cleaned to bare steel.
- Steel to be A.S.T.M. A36

NO.	DATE	DESCRIPTION	BY
1	Jan. 8, 1973	Safety chain addition	R.K.

STANDARD
 CLEARANCE SIGN INSTALLATION

GOVERNMENT OF THE PROVINCE OF ALBERTA
 DEPARTMENT OF HIGHWAYS
 BRIDGE BRANCH, EDMONTON

FILE NO.	HWY. NO.	DWG. NO.
LOCATION	SCALE as shown	S-906
STREAM	SHEET	OF