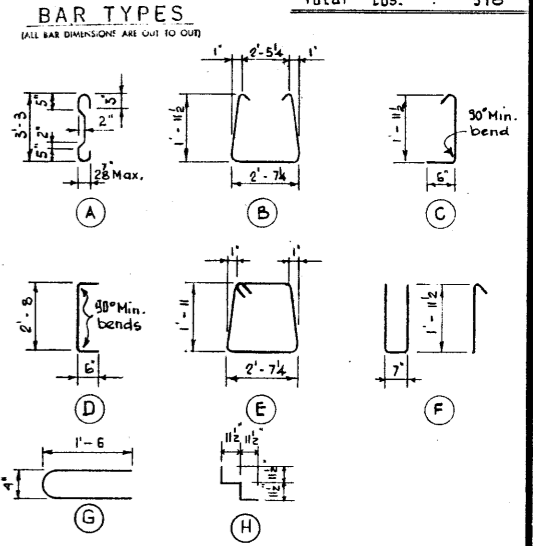


BAR LIST								
NO.	SIZE	NO.	TYPE	SPACING	LENGTH	WEIGHT		
S 301	3	96	A		4'-2"	150		
S 302	3	71	B		7'-2"	181		
S 303	3	71	C		2'-9"	75		
S 304	3	35	H		3'-10"	51		
S 306	3	4	D		3'-8"	6		
S 401	4	2	E		9'-8"	13		
E 501	5	4	F		5'-6"	25		
S 402	4	6	G		3'-0"	11		
							Total Lbs.	518



Fabricator's name, year of manufacture & serial No. of unit to be cast into bottom of slab in 2" letters.

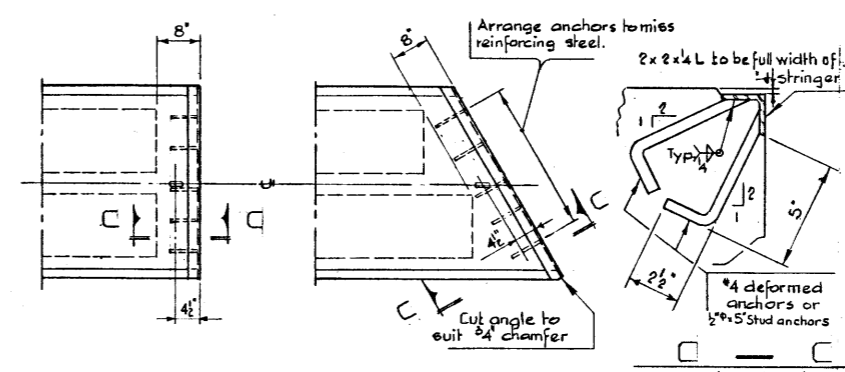
**GENERAL NOTES**

**DESIGN**  
A.A.S.H.O. 1961 Specifications except allowable initial concrete stress = 285 p.s.i. in tension.  
Loading: 3/5 of one wheel line of an H20-S16-44 truck plus full dead load plus 2" wearing surface.

**MATERIALS**  
Concrete shall be of standard weight aggregate with a maximum size of 3/4". Minimum compressive strength shall be 5000 p.s.i. at 28 days. Air entrainment shall be not less than 5%.

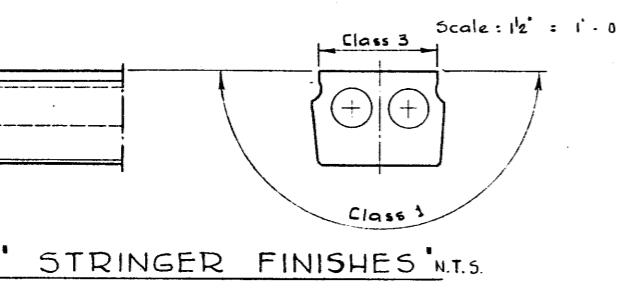
**FABRICATION**  
Reinforcement: Diameters of all bends and details of all hooks unless otherwise noted shall conform to the recommended sizes detailed in the A.C.I. Manual of Standard Practice for Detailing Reinforced Concrete Structures.  
Prestressing Steel: Initial tensioning load = 25.2 k/Strand  
Design load = 20.16 k/Strand  
Concrete must attain 4,000 p.s.i. compressive strength before the prestressing force is transferred.  
Anchor bolt assemblies are to be cast in stringer at spacings as required.  
Units are to conform to the requirements of the Bridge Branch Specifications for Prestressed Concrete Bridge Units.  
The surface of grout keys shall be sandblasted. If end blockouts are called for their surfaces shall be sandblasted.

**ERECTION**  
Lifting force at each hook must be not more than 30° from the vertical line in a plane parallel to the stringer surface.



**PROTECTION ANGLE**  
Provide when called for. Scale: 3/4" = 1'-0"  
Angle to be full width of stringer.

DESIGNED BY: R.W. Kornelsen  
DATE: April 18 66  
CHECKED BY: R.E.B.  
DATE: April 18 66  
DATE: May 18 66



**SUPERSEDED**  
DRAWING IN USE  
FROM OCT. 15<sup>th</sup>/70 IS  
A PHOTOGRAPH OF  
TRACING.

**SUPERSEDED**

PRESTRESSED CONCRETE  
60 FT. SPAN  
26" TYPE M STRINGER

GOVERNMENT OF THE PROVINCE OF ALBERTA  
DEPARTMENT OF HIGHWAYS  
BRIDGE BRANCH, EDMONTON

FILE NO.	HWY. NO.	DWG. NO.
LOCATION	SCALE AS SHOWN	5-907-70
STREAM	SHEET OF	

NO.	DATE	DESCRIPTION	BY
		Redrawn.	S.L.
REVISIONS			

ALBERTA RECORDS CENTRE  
F28812