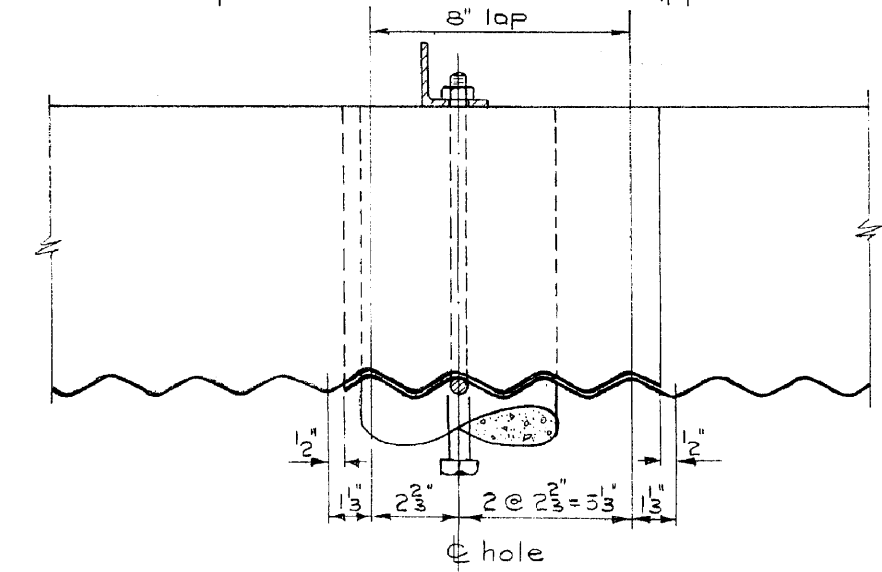
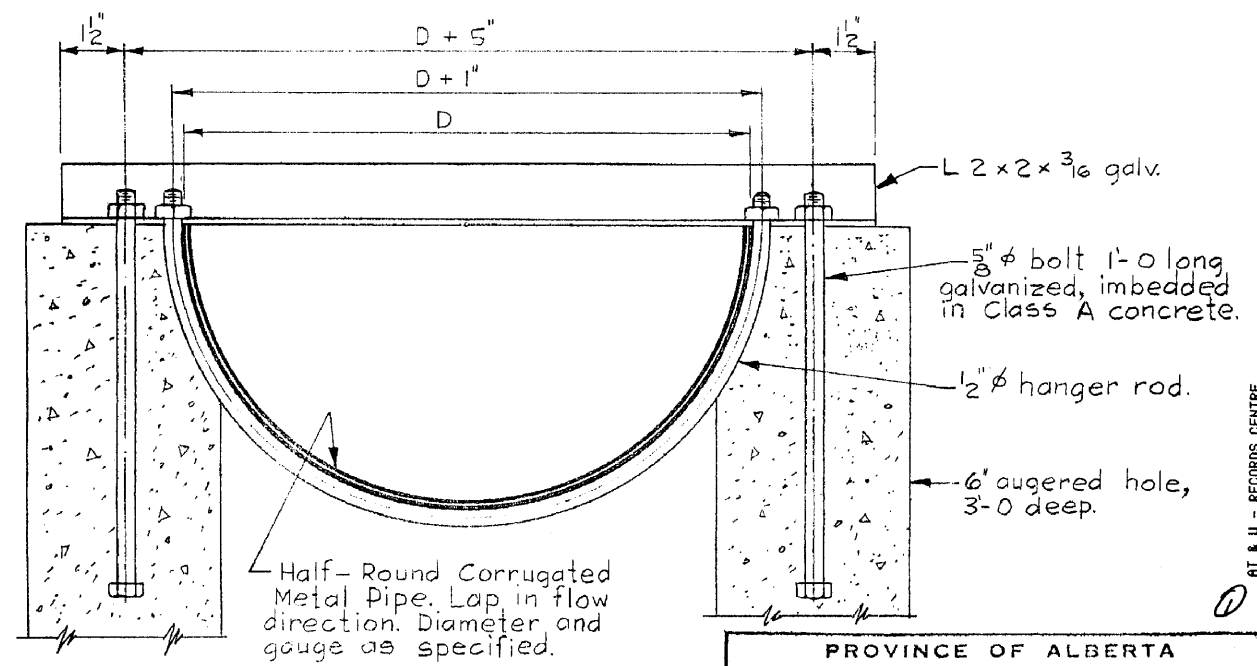


A ← HALF-ROUND CORRUGATED METAL PIPE (SECTION)
Scale: 3/4" = 1'-0"

Note:
Where joint spacing exceeds 10'-0", an intermediate support at mid point between joints shall be installed. Intermediate supports shall be identical to joint detail except that the CMP shall not be lapped.



JOINT DETAIL (SECTION)
Scale: 3" = 1'-0"



A — A
Scale: 3" = 1'-0"

PROVINCE OF ALBERTA
DEPARTMENT OF HIGHWAYS
BRIDGE BRANCH

JOINT DETAIL
FOR HALF-ROUND
C.M.P. WITH HANGER ROD

S-913 DATE: Oct. 31/66 BY: R.C.

AT & U - RECORDS CENTRE
F200019