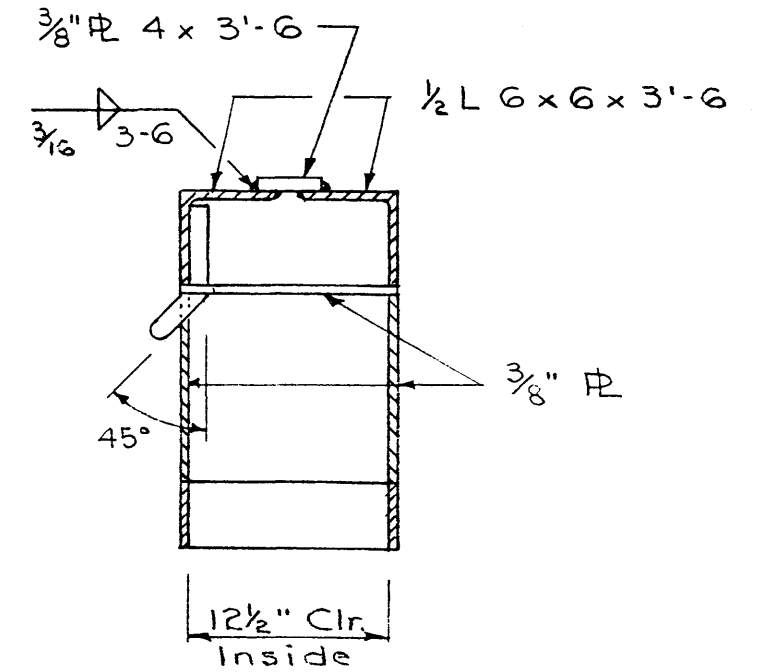
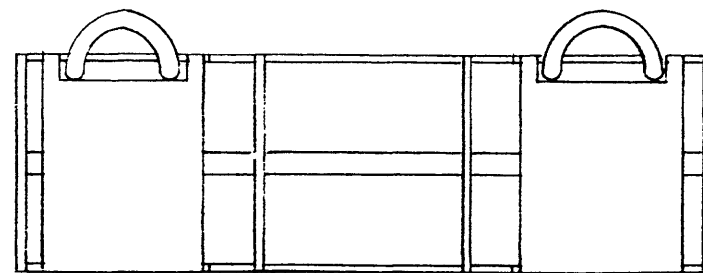


PLAN VIEW



SECTION



FRONT ELEVATION

SPREADER ATTACHMENT  
FOR TYPE E LIFTING SLING

FILE

MAY 28, 1959

SGW.  
S-915

AT & U - RECORDS CENTRE  
F200021

S 915