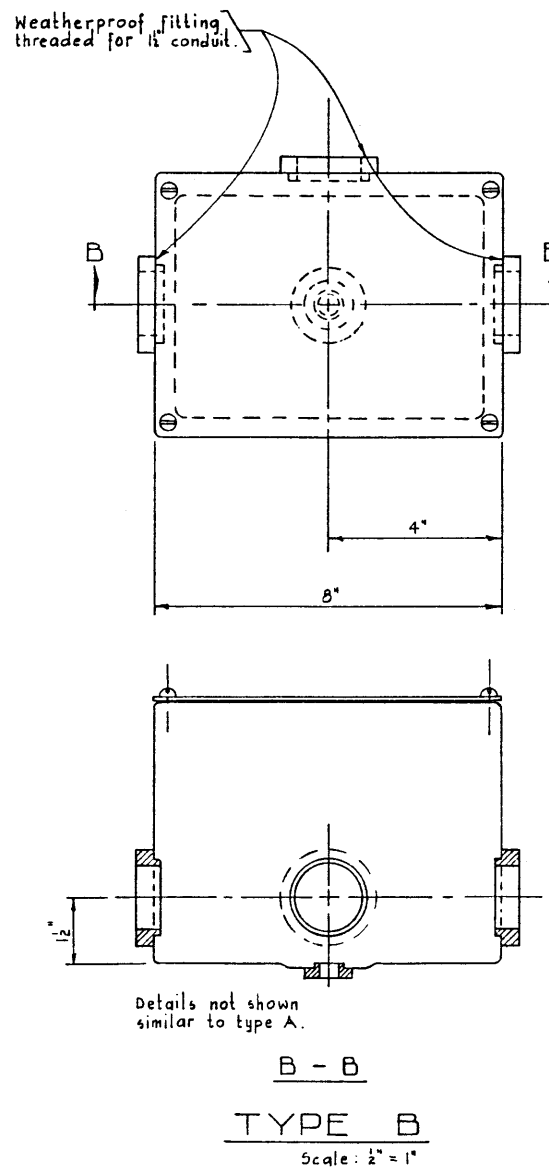
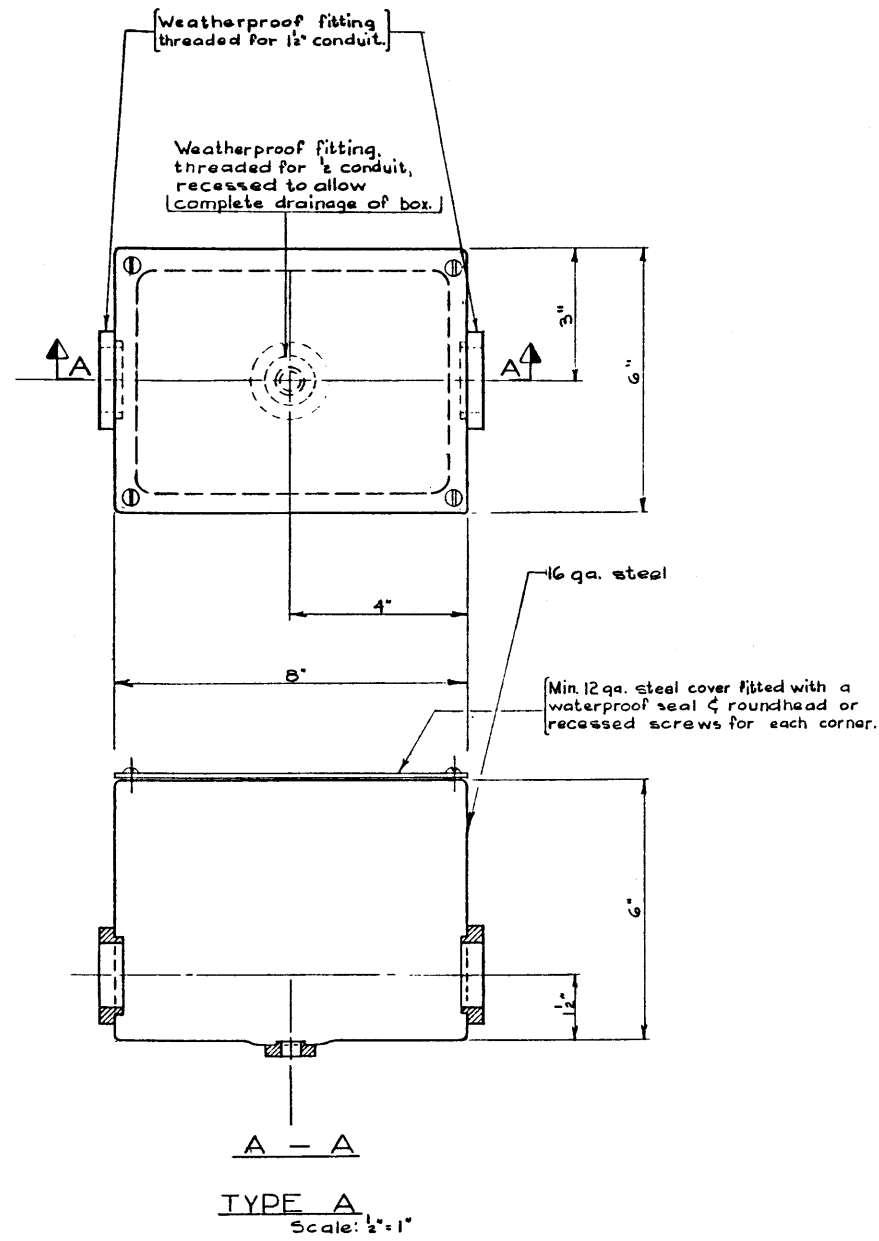


DESIGNED BY R. Kornelsen DATE March 15, 1967
 DETAILED BY D. Audley DATE March 15, 1967
 CHECKED BY _____ DATE _____



GENERAL NOTES
 Δ All material shall be hot dip galvanized after fabrication in accordance with A.S.T.M. Spec. A 153.

WEATHERPROOF ELECTRICAL JUNCTION BOX



GOVERNMENT OF THE PROVINCE OF ALBERTA
 DEPARTMENT OF HIGHWAYS
 BRIDGE BRANCH, EDMONTON

NO.	DATE	DESCRIPTION

REVISIONS

HWY. NO. _____ DWG. NO. S-923
 SCALE _____ SHEET _____ OF _____

①

