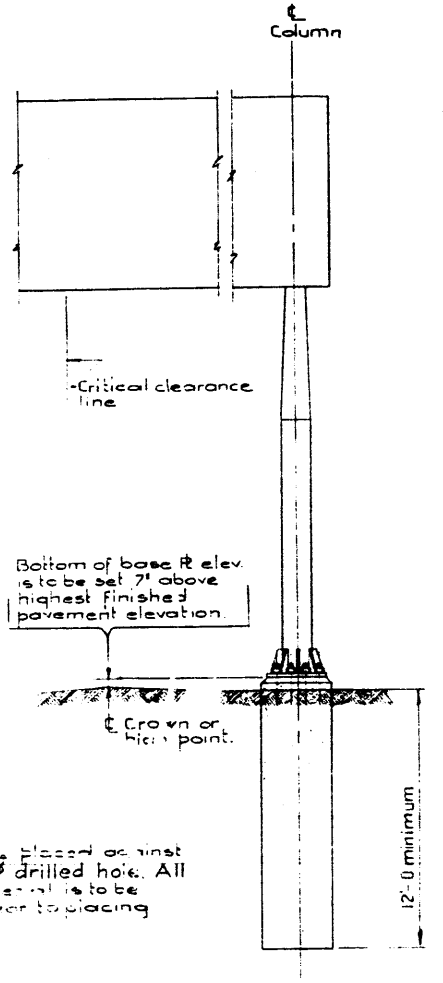
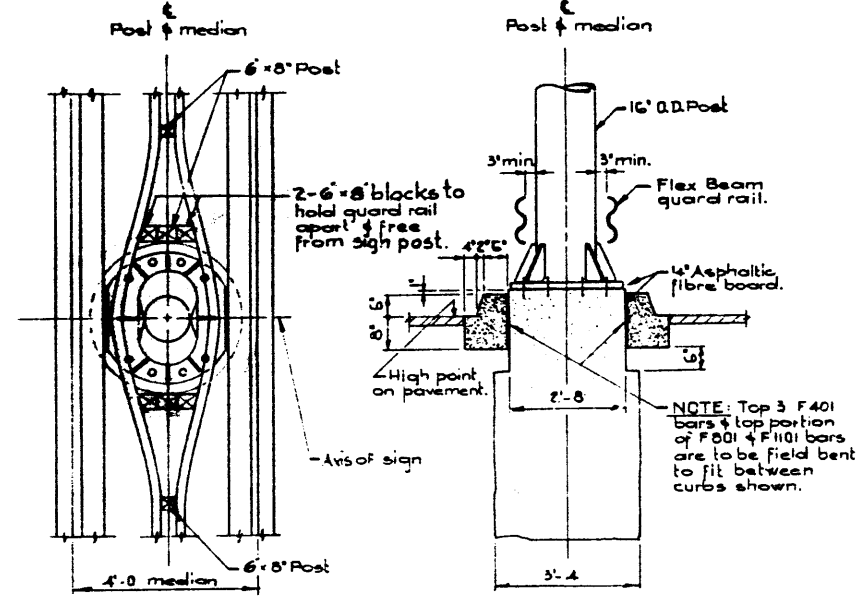


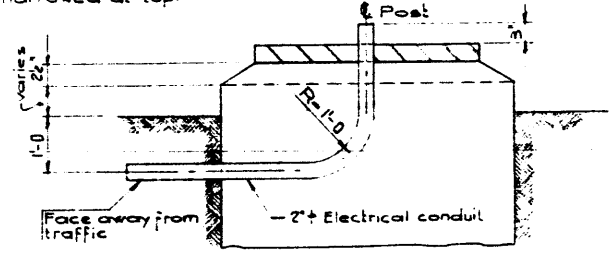
- BUTTERFLY TYPE SIGN ELEVATION -  
Scale: 1/4" = 1'-0"



- SIGN BRIDGE ELEVATION -  
Scale: 1/4" = 1'-0"



- PLAN -  
- ELEVATION -  
- FOOTING AT 4'-0 MEDIAN STRIP -  
Medians 5'-4 or greater do not require footing to be narrowed at top.  
Scale: 1/2" = 1'-0"



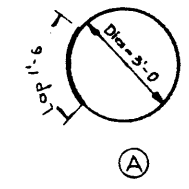
- CONDUIT DETAIL -  
Scale: 1" = 1'-0"

**BAR LIST 1-FOOTING**

MARK	SIZE	NUMBER	TYPE	LENGTH	WEIGHT
F 801	8	6	Str.	11'-8	187
F 401	4	24	A	11'-1	178
F 1101	11	6	Str.	11'-8	372

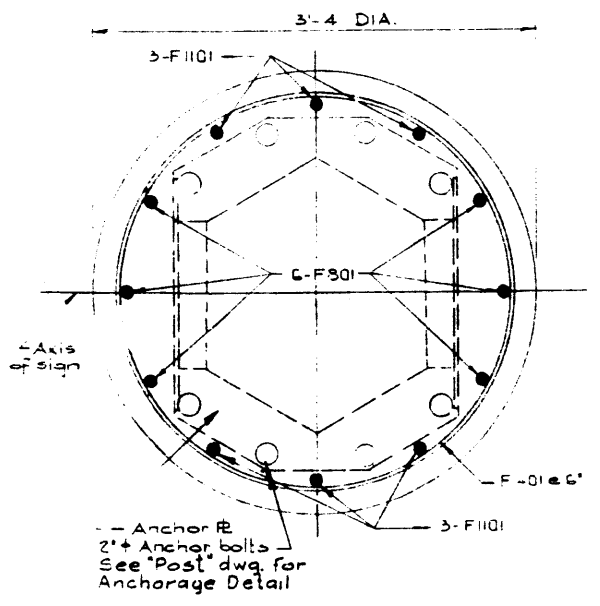
NOTE: Bars are to be assembled into a cage with wire ties. Tot. Lbs: 737

**BAR TYPES**  
All bar dimensions out to out

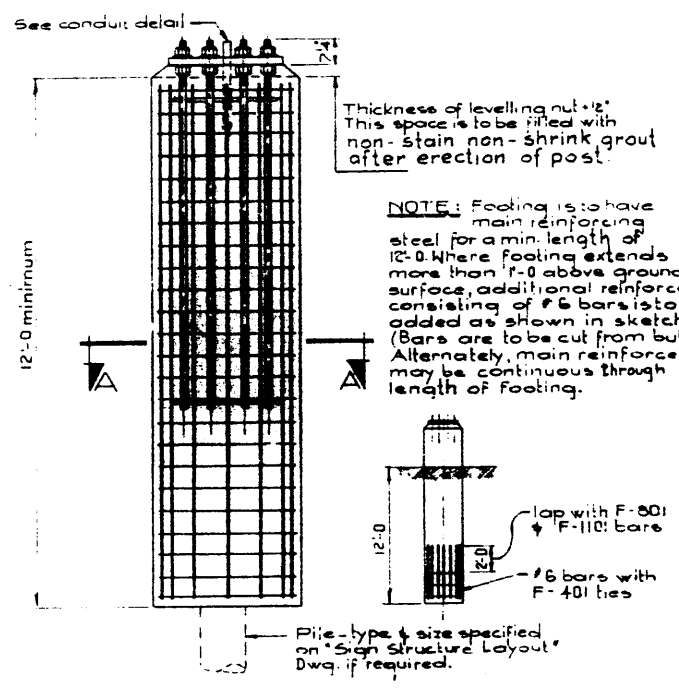


**GENERAL NOTES**

- All concrete is to be Class 'A' concrete.
- Reinforcing steel is to have 2" clear cover.
- Reinforcing Steel shall be Intermediate Grade.
- For "General Notes" see dwg. 5-960, "Railing Details & Notes."



- SECTION A - A -  
Scale: 1/2" = 1'-0"



- FOOTING ELEVATION -  
Scale: 1/2" = 1'-0"

**QUANTITY ESTIMATE**

ITEM	UNIT	ESTIMATE AS CONST.
Concrete Class 'A'	Cu. Yds.	4
Reinforcing steel	Lbs.	737

NOTE: This footing to be used with Post Types I, II and III.

**STANDARD SIGN BRIDGE FOOTING DETAILS**

GOVERNMENT OF THE PROVINCE OF ALBERTA  
DEPARTMENT OF HIGHWAYS  
BRIDGE BRANCH, EDMONTON

**REVISIONS**

NO.	DATE	DESCRIPTION	BY
1	OCT. 12 67	Redrawn from 3350-P	H.V.

FILE NO. \_\_\_\_\_ HWY. NO. \_\_\_\_\_ DWG. NO. 5-934  
LOCATION \_\_\_\_\_ SCALE \_\_\_\_\_  
STREAM \_\_\_\_\_ DIST. \_\_\_\_\_

DESIGNED BY D.H. Guappi  
DATE May 1962  
CHECKED BY \_\_\_\_\_ DATE \_\_\_\_\_