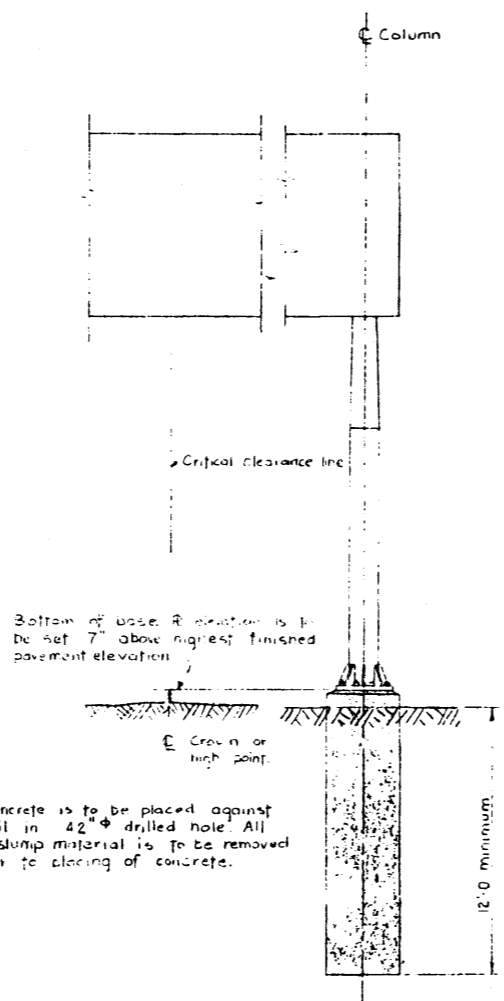
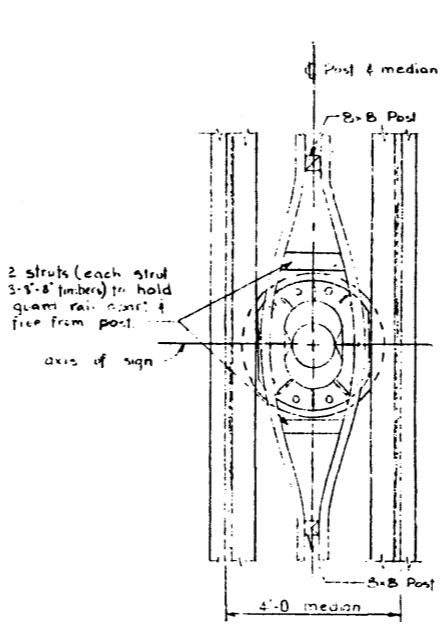


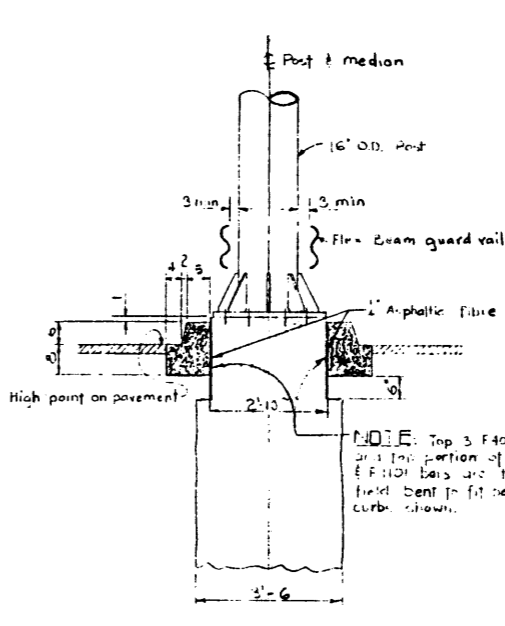
"BUTTERFLY" TYPE SIGN ELEVATION
Scale: 1/2" = 1'-0"



SIGN BRIDGE ELEVATION
Scale: 1/2" = 1'-0"

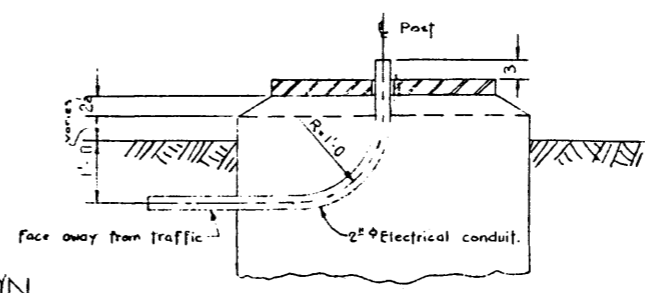


PLAN
FOOTING AT 4'-0 MEDIAN STRIP
Scale: 1/2" = 1'-0"



ELEVATION

FOOTING AT 4'-0 MEDIAN STRIP
Scale: 1/2" = 1'-0"



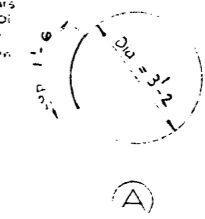
CONDUIT DETAIL
Scale: 1" = 1'-0"

BAR LIST Footing

Mark	Size	Number	Type	Length	Weight
F801	8	2	Str.	11'-8"	62
F401	4	24	A	11'-6"	184
F1101	11	10	Str.	11'-8"	620

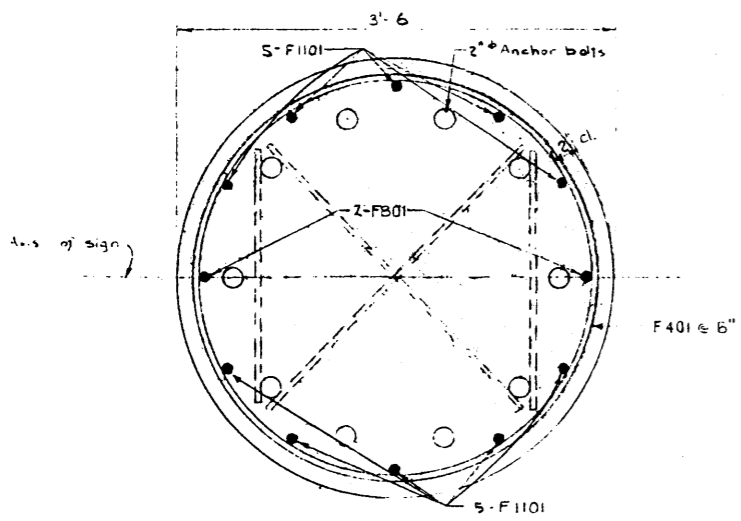
NOTE: Bars are to be assembled into a cage with wire ties. Total Weight = 866 lbs.

BAR TYPES N.T.S.
All bar dimensions out to out.

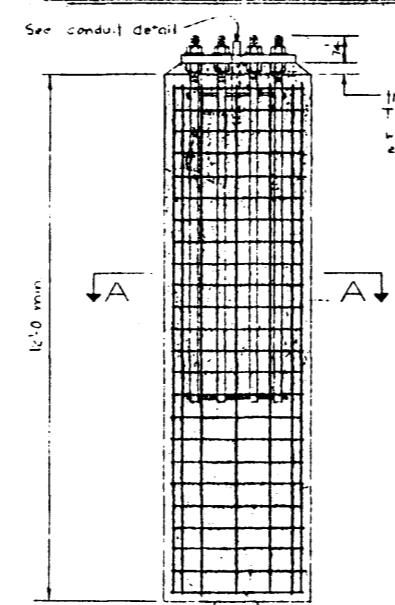


GENERAL NOTES

- All concrete is to be Class 'A' concrete.
- Main reinforcing steel is to have 2" clear cover.



SECTION A-A
Scale: 1/2" = 1'-0"



FOOTING ELEVATION
Scale: 1/2" = 1'-0"

NOTE: Footing is to have main reinforcing steel for a min. length of 12'-0. Where footing extends more than 1'-0 above ground surface, additional reinforcement consisting of #6 bars is to be added as shown in sketch. Alternatively, main reinforcement may be continuous through full length of footing.

12'-0

2'-0 lap with F-801 & F-1101 bars

#6 bars with F401 ties

QUANTITY ESTIMATE

Item	Unit	Estimate	As noted
Concrete Class 'A'	cu. yd.	4	
Reinforcing steel	lbs	866	

NO.	DATE	DESCRIPTION	BY
1	Oct. 3/67	Redrawn	D.A.

Redrawn from dwg: 4192-P.

STANDARD SIGN STRUCTURES
FOOTING DETAILS
TYPE IV POST

GOVERNMENT OF THE PROVINCE OF ALBERTA
DEPARTMENT OF HIGHWAYS
BRIDGE BRANCH, EDMONTON

FILE NO. _____ HWY. NO. _____
LOCATION _____ SCALE as noted _____
STREAM _____ SHEET _____ OF _____

DWG NO. S-936A

DESIGNED BY: D. H. QUAPP
DATE: April 19 52
DETAILED BY: D. H. QUAPP
DATE: May 1 19 52
CHECKED BY: _____
DATE: _____

ATL U - RECORDS CENTRE