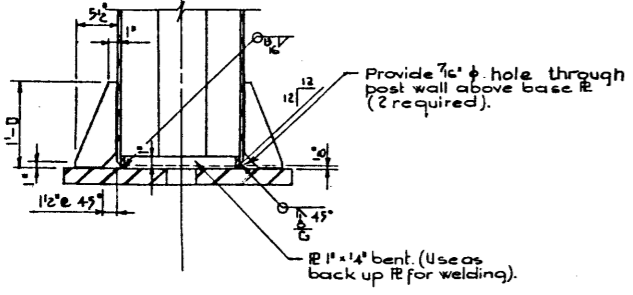
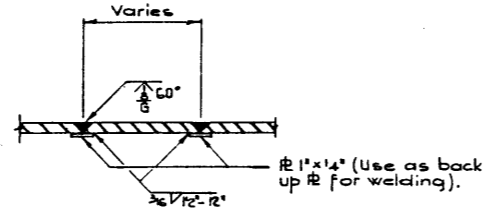


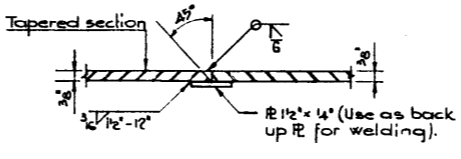
— PIPE COLUMN —
2 reqd per sign bridge. N.T.S.



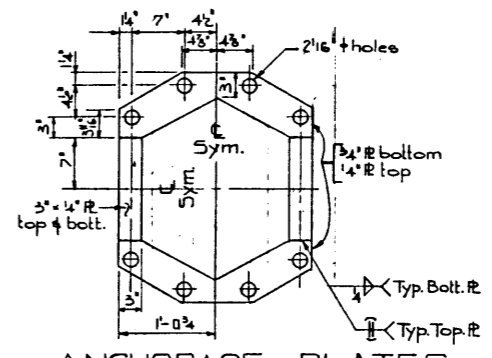
A - A
Scale: 1"=1'-0"



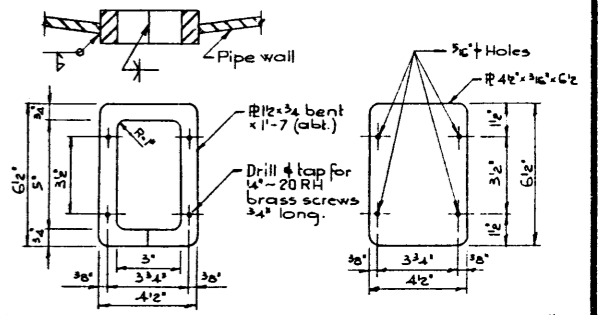
B - B
Scale: 1"=1'-0"



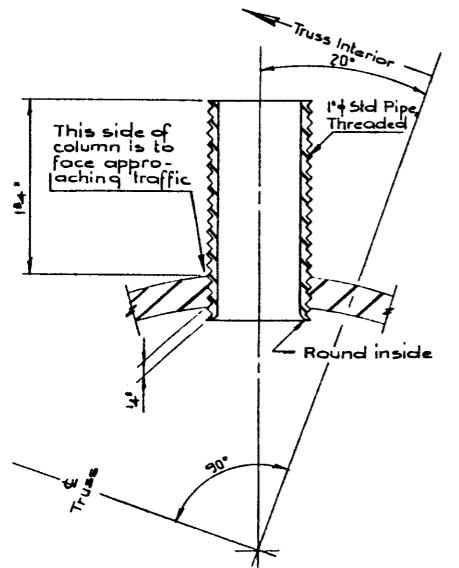
— DETAIL 'C' —
Scale: 3"=1'-0"



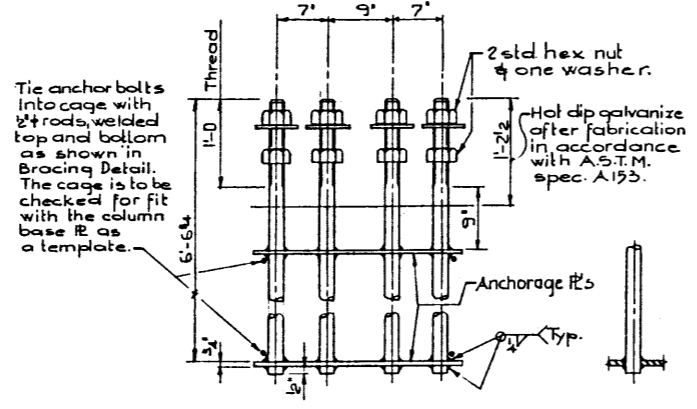
ANCHORAGE PLATES
N.T.S.



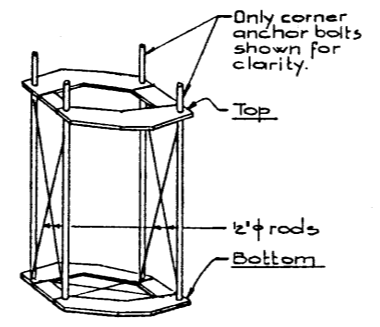
— HANDHOLE & COVER DETAILS —
1 reqd per column. Scale: 3"=1'-0"



— DETAIL 'A' —
Scale: Full Size



— ANCHORAGE DETAIL —
1 cage reqd per column. Scale: 1"=1'-0"



— BRACING DETAIL —
N.T.S.

- NOTES**
- For General Notes see Dwg. # S-960, "Railing Details and Notes."
 - An alternate post may be fabricated with the tapering and split portions of the post formed from 3/8" bent to an equivalent section.
 - Approx. weight per column = 2300 Lbs.

Work this drawing in conjunction with "Sign Structure Layout" and "Frame Details" drawings.

**STANDARD SIGN BRIDGE
TYPE II POST**

GOVERNMENT OF THE PROVINCE OF ALBERTA
DEPARTMENT OF HIGHWAYS
BRIDGE BRANCH, EDMONTON

FILE NO.	HWY. NO.	SCALE	DWG. NO.
LOCATION	BY	DATE	DESCRIPTION
STREAM	SHEET	OF	9-937

DESIGNED BY: D.H. DUAPP
 CHECKED BY: _____
 DATE: MAY 19 1967

NO.	DATE	DESCRIPTION	BY
1	OCT. 11, 1967	Redrawn from Dwg. # 3245-P	M.F.

A.L.U. - RECORDS CENTRE
 62125 728833