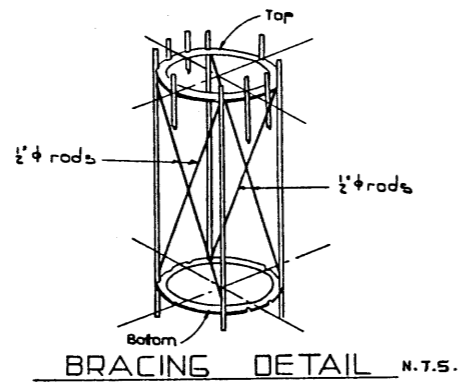
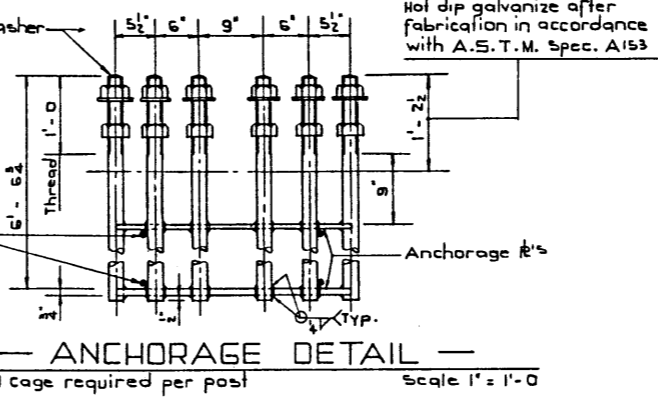
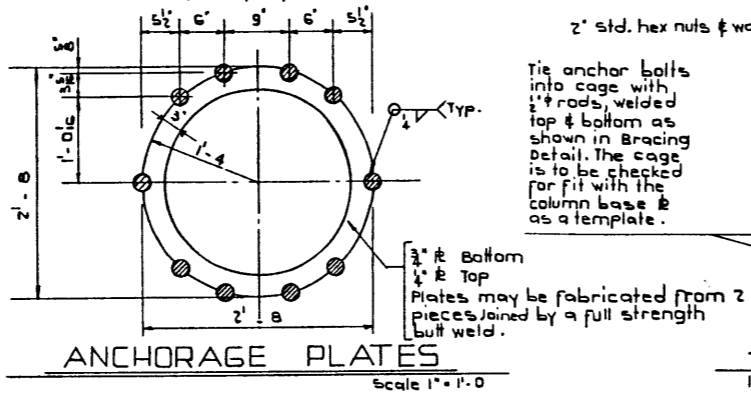
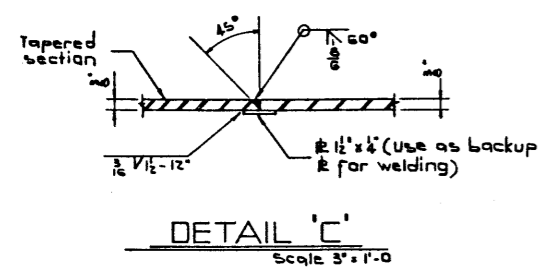
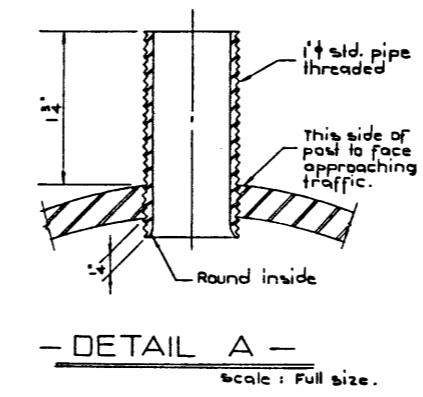
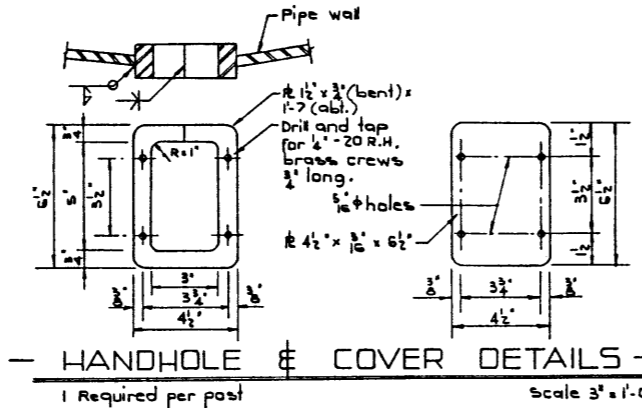
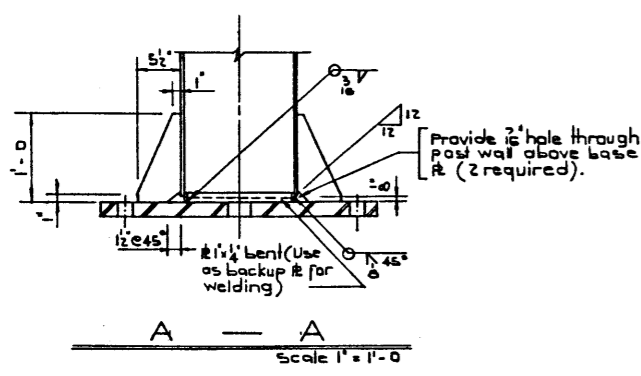


— SIGN POST —  
1 Req'd per sign Scale 1" = 1'-0"



- NOTES**
- For General Notes see Dwg. # S-960 "Railing Details and Notes".
  - An alternate post may be fabricated with the tapering portions of the post formed from 3/4" dia bent to an equivalent section.
  - Approx. weight per column = 3000 lbs.

Work this drawing in conjunction with 'Sign Structure Layout' and 'Frame Details' drawings.

**BUTTERFLY SIGN STRUCTURE TYPE IV POST**

GOVERNMENT OF THE PROVINCE OF ALBERTA  
DEPARTMENT OF HIGHWAYS  
BRIDGE BRANCH, EDMONTON

FILE NO.	HWY. NO.	DWG. NO.
LOCATION	SCALE	SHEET OF 5-939

NO.	DATE	DESCRIPTION	BY
1	Dec. 11 67	Redrawn from Dwg. 4192-P	L.K.

DESIGNED BY D.H. QUAPP DATE March 19 67  
 DETAILED BY D.H. QUAPP DATE March 19 67  
 CHECKED BY DATE

