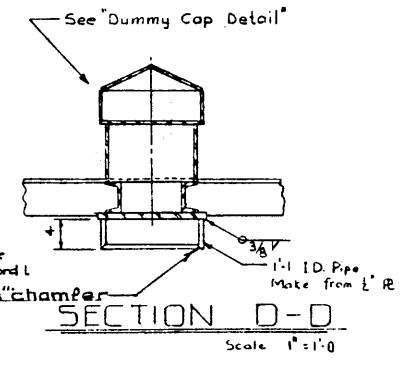
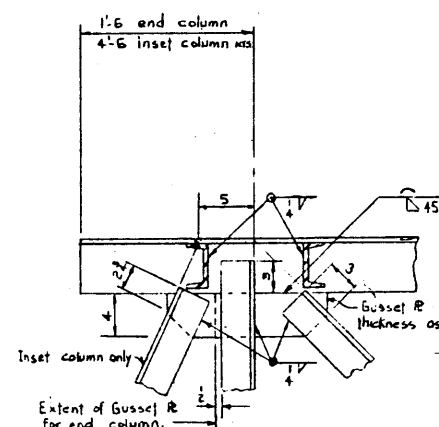
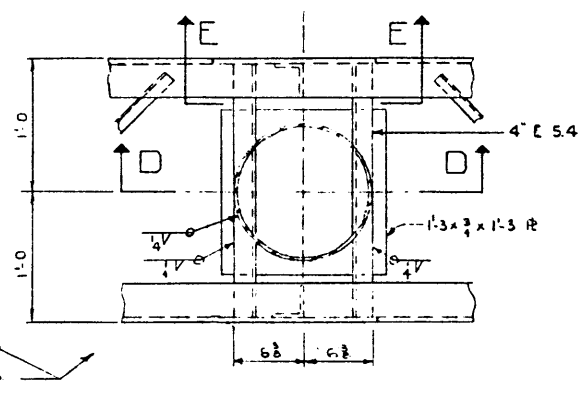
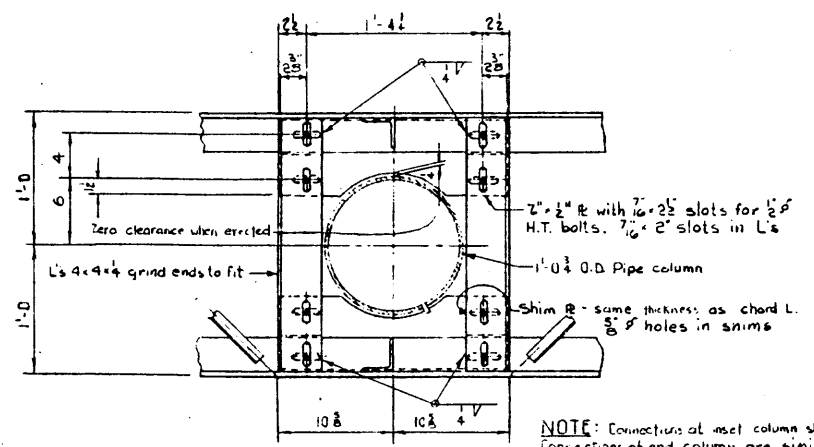


NOTES:
• For "General Notes" see dwg. S-960, "Railing Details & Notes".



Work this dwg. in conjunction with "Sign Structure Layout, Post, & Walkway Details" dwgs. Redrawn from dwg. 3694-P.

STANDARD SIGN BRIDGE
34'-8" SPAN
TRUSS DETAILS
WITH OR WITHOUT CANTILEVER SECTION

GOVERNMENT OF THE PROVINCE OF ALBERTA
DEPARTMENT OF HIGHWAYS
BRIDGE BRANCH, EDMONTON

FILE NO. _____ HWY. NO. _____ DWG. NO. 5940
LOCATION _____ SCALE as noted SHEET _____ OF _____

NO.	DATE	DESCRIPTION	BY
1	Sept 29/67	Redrawn	D.A.

DESIGNED BY: B.W.S.
DATE: Oct. 31 1963
CHECKED BY: _____
DATE: _____

