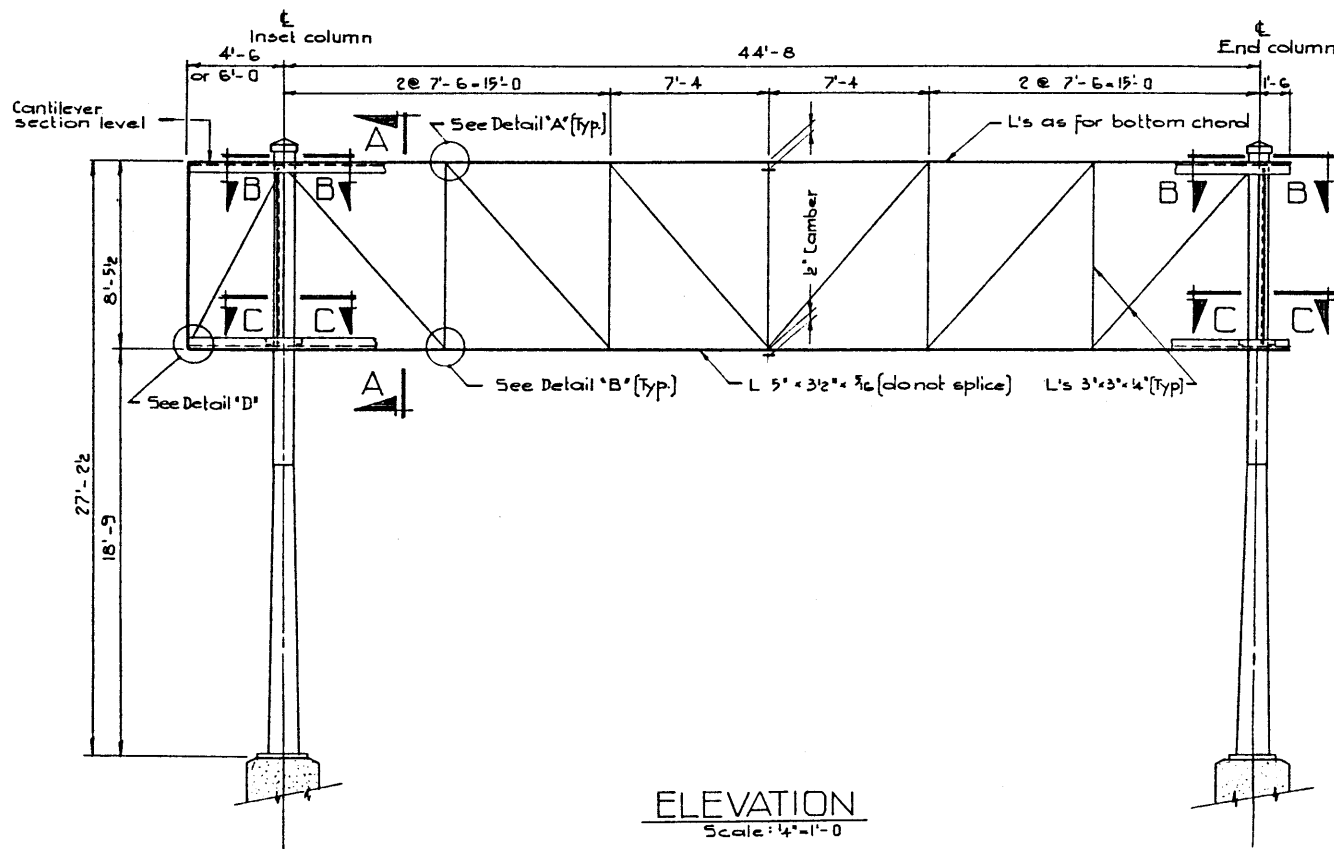
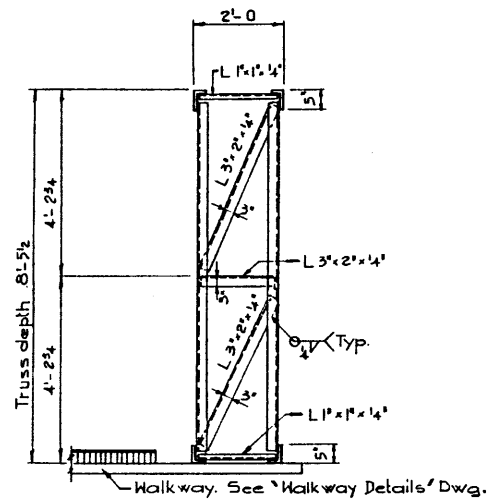


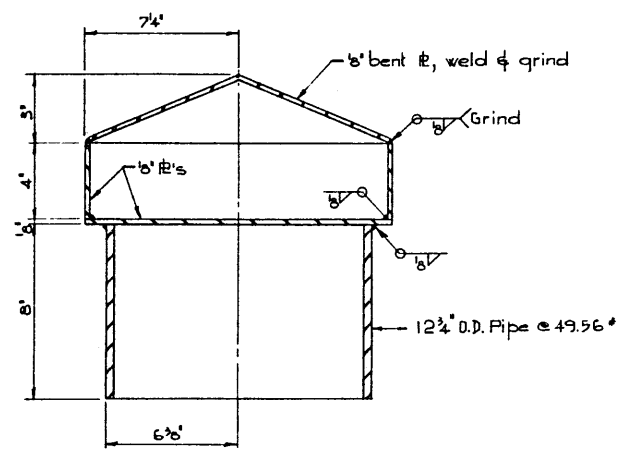
PLAN
Scale: 4"=1'-0"



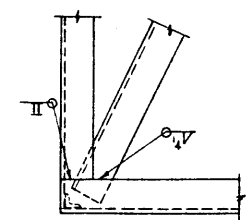
ELEVATION
Scale: 4"=1'-0"



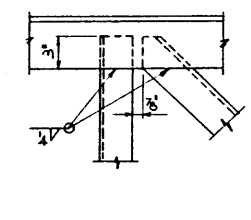
TYPICAL SECTION A - A
Scale: 1/2"=1'-0"



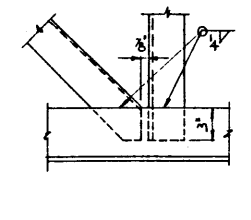
DUMMY CAP DETAIL
Scale: 3"=1'-0"



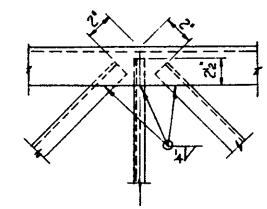
DETAIL 'D'
Scale: 1/2"=1'-0"



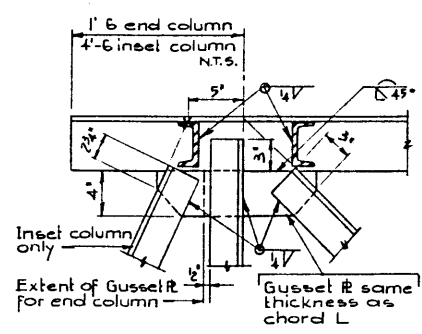
DETAIL 'A'
Scale: 1/2"=1'-0"



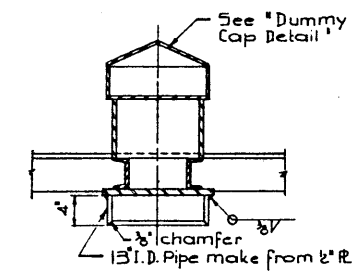
DETAIL 'B'
Scale: 1/2"=1'-0"



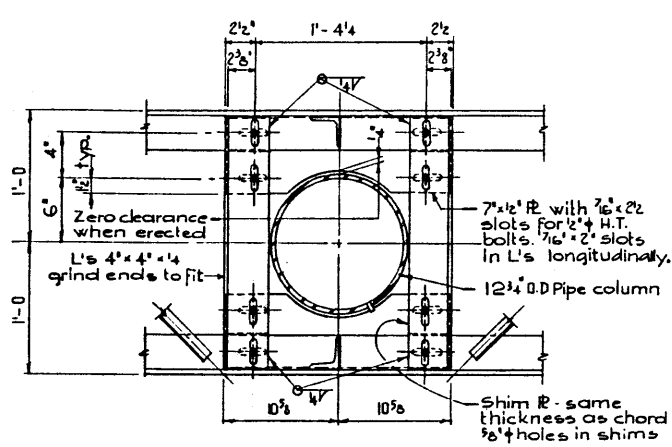
DETAIL 'C'
Scale: 1/2"=1'-0"



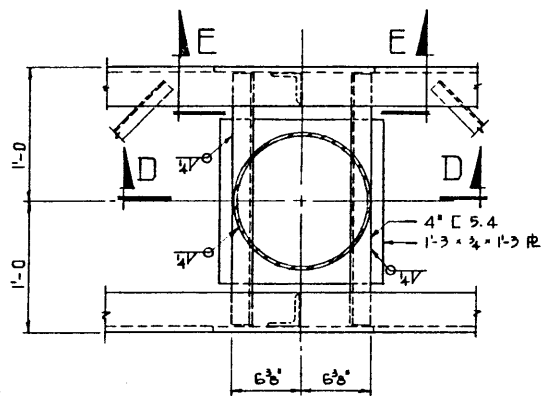
E - E
Scale: 1/2"=1'-0"



D - D
Scale: 1"=1'-0"



C - C
Scale: 1/2"=1'-0"



B - B
Scale: 1/2"=1'-0"

NOTE: Connections at inset column shown. Connections at end column are similar.

NOTES:
• For General Notes see Dwg. # S-960, "Railing Details and Notes!"

Work this Dwg. in conjunction with "Sign Structure Layout", "Post" and "Walkway Details" dwgs.

STANDARD SIGN BRIDGE
44'-8" SPAN
TRUSS DETAILS
WITH OR WITHOUT CANTILEVER SECTION

GOVERNMENT OF THE PROVINCE OF ALBERTA
DEPARTMENT OF HIGHWAYS
BRIDGE BRANCH, EDMONTON

NO.	DATE	DESCRIPTION	BY
1	Dec. 12, 67	Redrawn from Dwg. # 3394-P 11F	

FILE NO. _____ HWY. NO. _____ DWG. NO. 5-942
LOCATION _____ SCALE As noted
SHEET _____ OF _____

DESIGNED BY D.H. Quapp
DATE June 19 62
CHECKED BY _____
DATE _____

