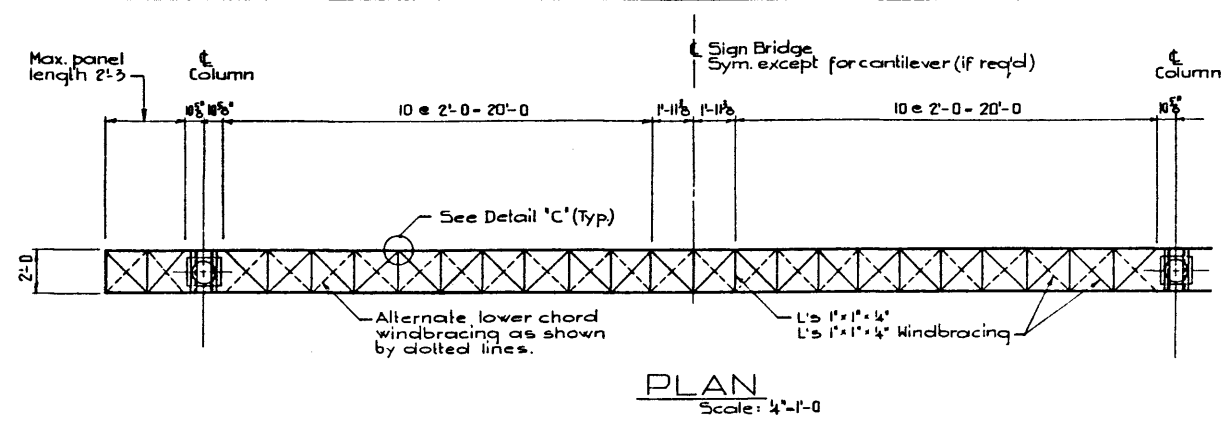
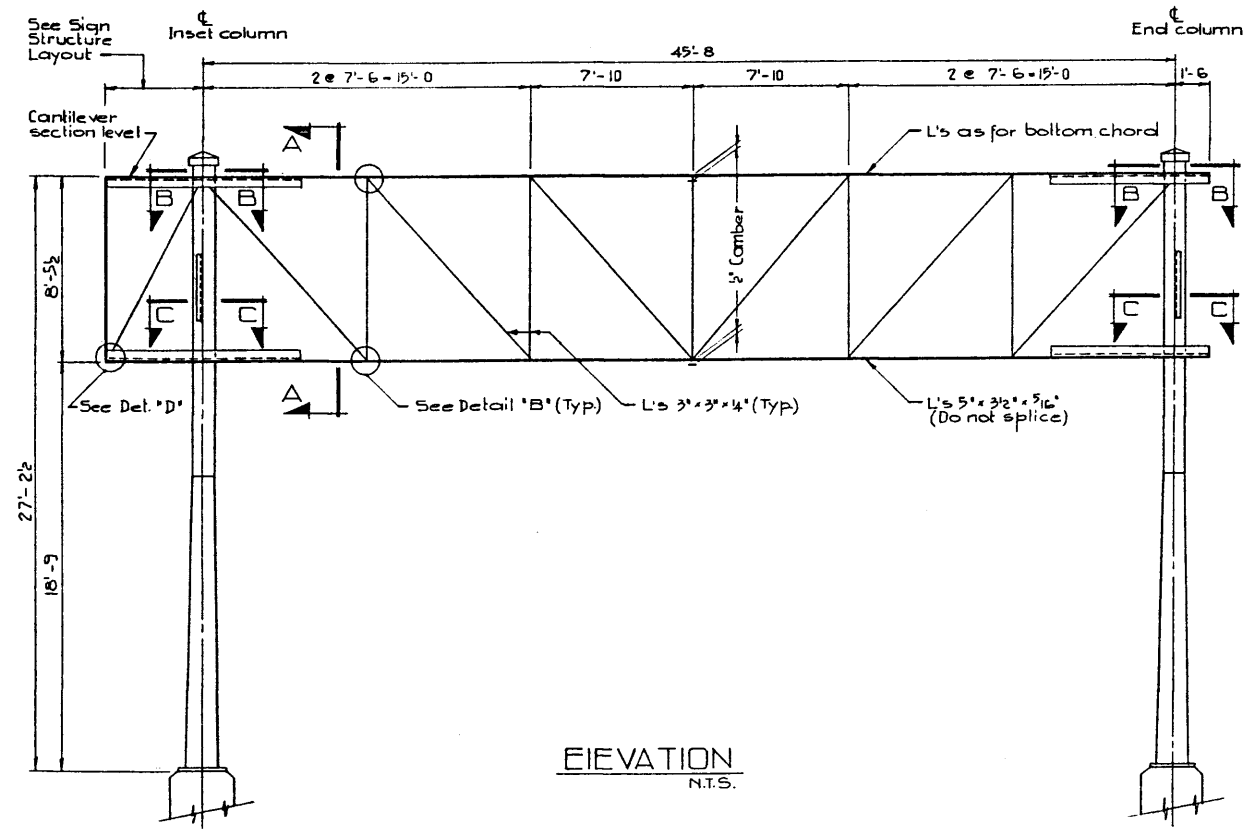


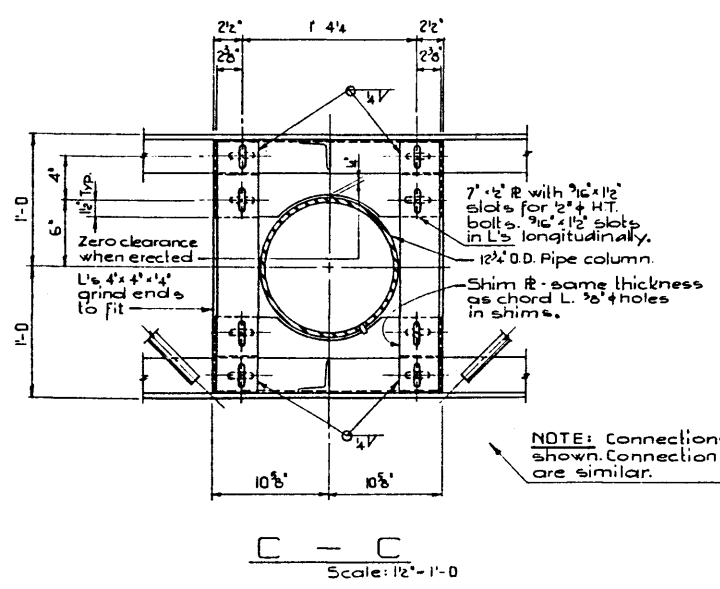
DESIGNED BY _____ DATE _____
 D.H. Quispp _____ DATE June 1967
 CHECKED BY _____ DATE _____



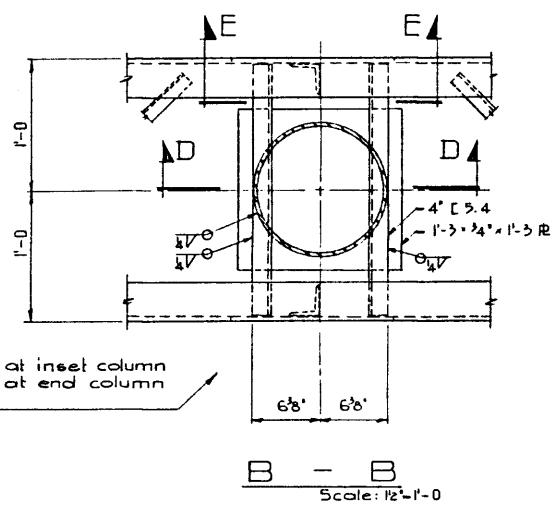
PLAN
Scale: 1/4" = 1'-0"



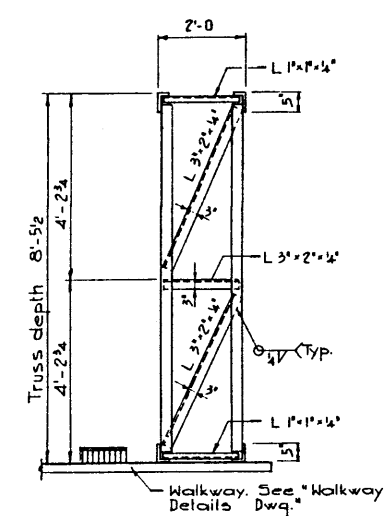
ELEVATION
N.T.S.



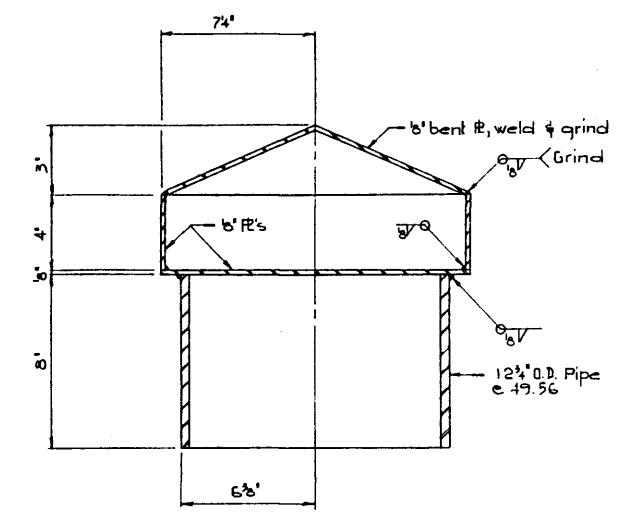
C - C
Scale: 1/2" = 1'-0"



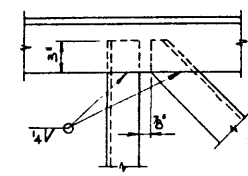
B - B
Scale: 1/2" = 1'-0"



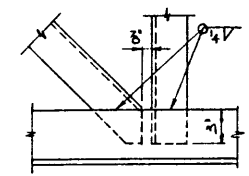
TYPICAL SECTION A-A
Scale: 1/2" = 1'-0"



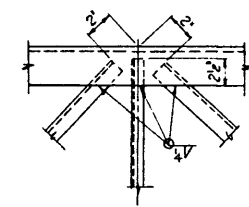
DUMMY CAP DETAIL
Scale: 3/4" = 1'-0"



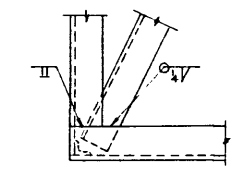
DETAIL 'A'
Scale: 1/2" = 1'-0"



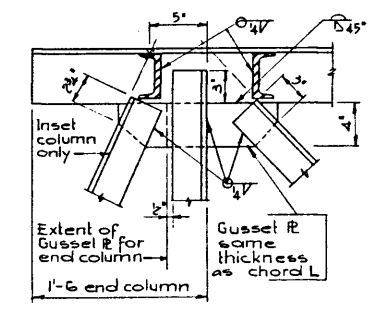
DETAIL 'B'
Scale: 1/2" = 1'-0"



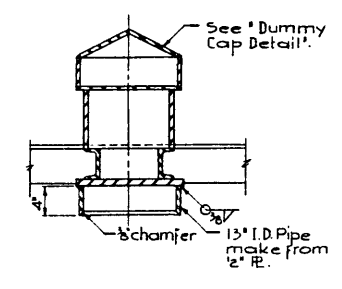
DETAIL 'C'
Scale: 1/2" = 1'-0"



DETAIL 'D'
Scale: 1/2" = 1'-0"



E - E
Scale: 1/2" = 1'-0"



D - D
Scale: 1" = 1'-0"

NOTE:
For General Notes see Dwg. # S-960
"Railing Details and Notes".

Work this Dwg. in conjunction with 'SIGN STRUCTURE LAYOUT', 'POST' and 'WALKWAY DETAILS DWGS.'

STANDARD SIGN BRIDGE
 45'-8 SPAN
 TRUSS DETAILS
 WITH OR WITHOUT CANTILEVER SECTION

GOVERNMENT OF THE PROVINCE OF ALBERTA
 DEPARTMENT OF HIGHWAYS
 BRIDGE BRANCH, EDMONTON

FILE NO. _____ HWY. NO. _____ DWG. NO. S-943
 LOCATION _____ SCALE _____ SHEET _____ OF _____

NO.	DATE	DESCRIPTION	BY

ALBERTA RECORDS CENTRE
 7200005