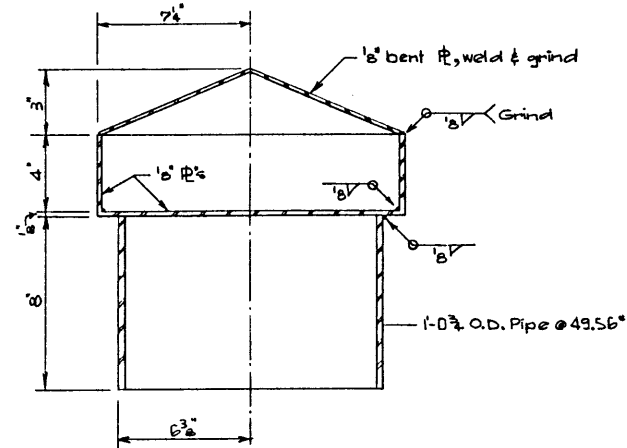
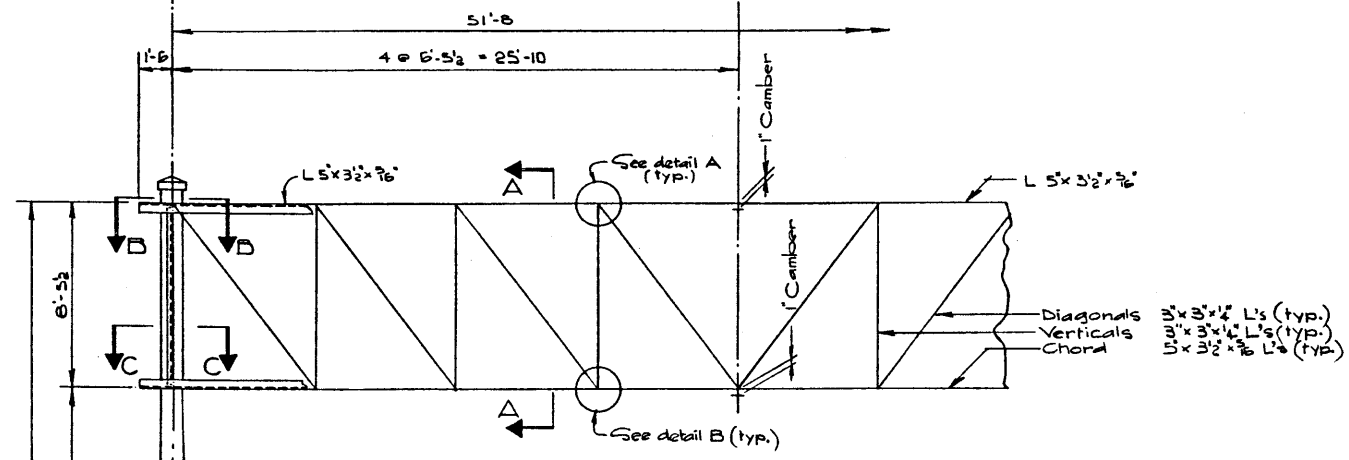


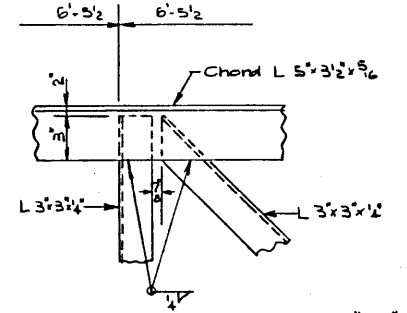
PLAN
Scale: 1/4" = 1'-0"



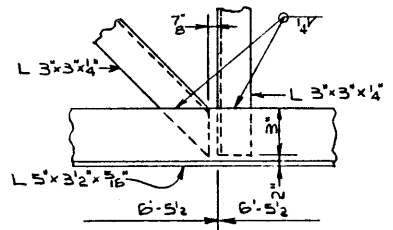
DUMMY CAP DETAIL
Scale: 3" = 1'-0"



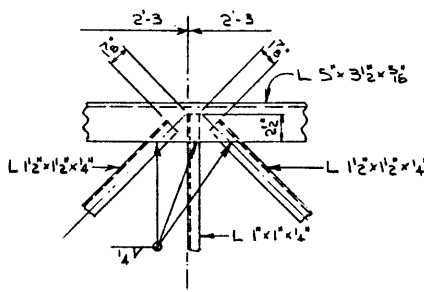
ELEVATION
Scale: 1/4" = 1'-0"



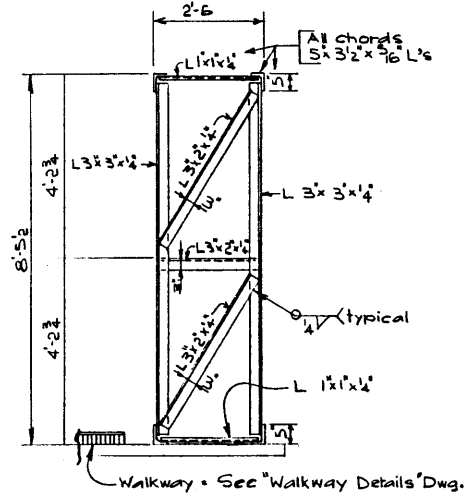
TYPICAL DETAIL "A"
Scale: 1/2" = 1'-0"



TYPICAL DETAIL "B"
Scale: 1/2" = 1'-0"



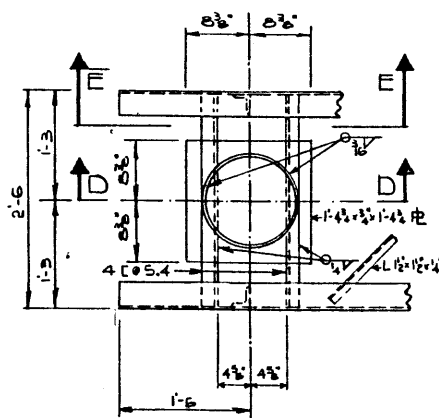
TYPICAL DETAIL "C"
Scale: 1/2" = 1'-0"



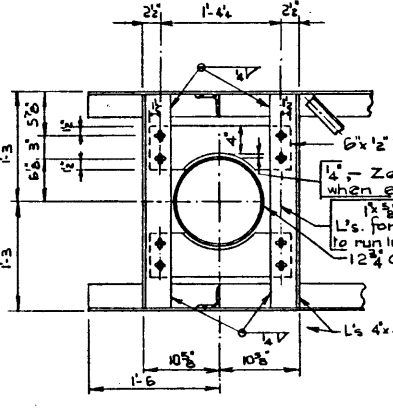
TYPICAL SECTION A-A
Scale: 1/2" = 1'-0"

NOTES:
For General Notes see Dwg. # S 960,
Railing Details and Notes.

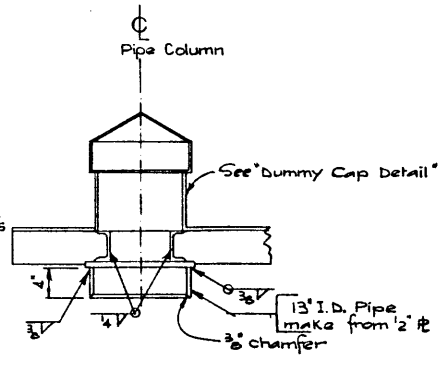
DESIGNED BY F.W. Buda
DATE Dec. 19 67
CHECKED BY
DATE
DATE



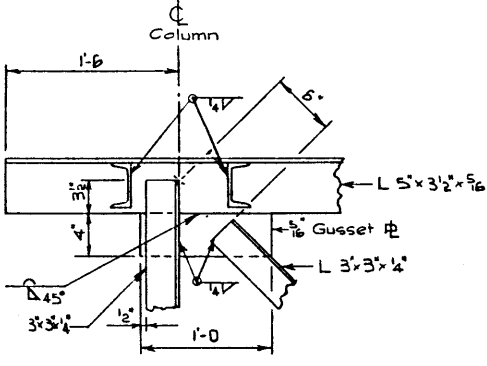
SECTION B-B
Scale: 1" = 1'-0"



SECTION C-C
Scale: 1" = 1'-0"



SECTION D-D
Scale: 1" = 1'-0"



SECTION E-E
Scale: 1/2" = 1'-0"

Work this Dwg. in conjunction with "Sign Structure Layout", "Post" and "Walkway Details" dwgs.

STANDARD SIGN BRIDGE
51'-8" SPAN
TRUSS DETAILS

GOVERNMENT OF THE PROVINCE OF ALBERTA
DEPARTMENT OF HIGHWAYS
BRIDGE BRANCH, EDMONTON

FILE NO.	HWY. NO.	DWG. NO.
LOCATION	SCALE as noted	5-944
STREAM	SHEET	OF

NO.	DATE	DESCRIPTION	BY
1	Dec. 12 '67	Redrawn	F.W.B.

AT & U - RECORDS CENTRE
7288448