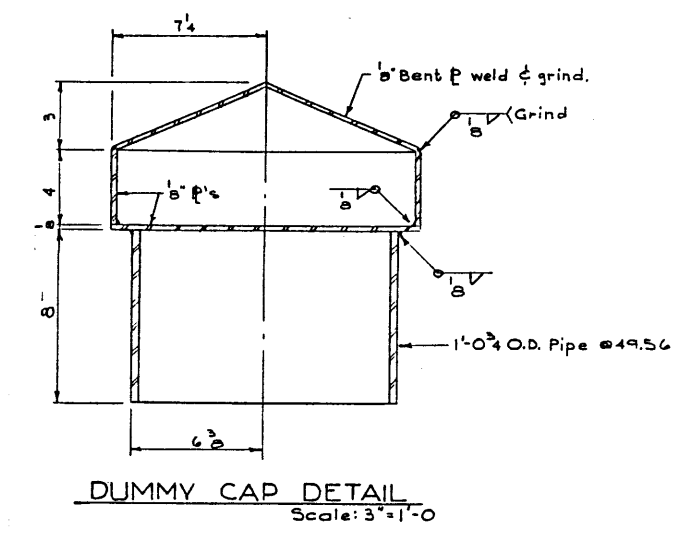
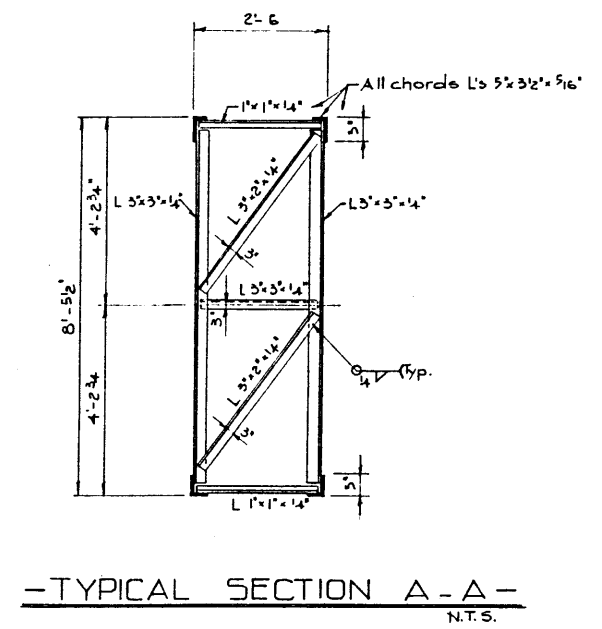
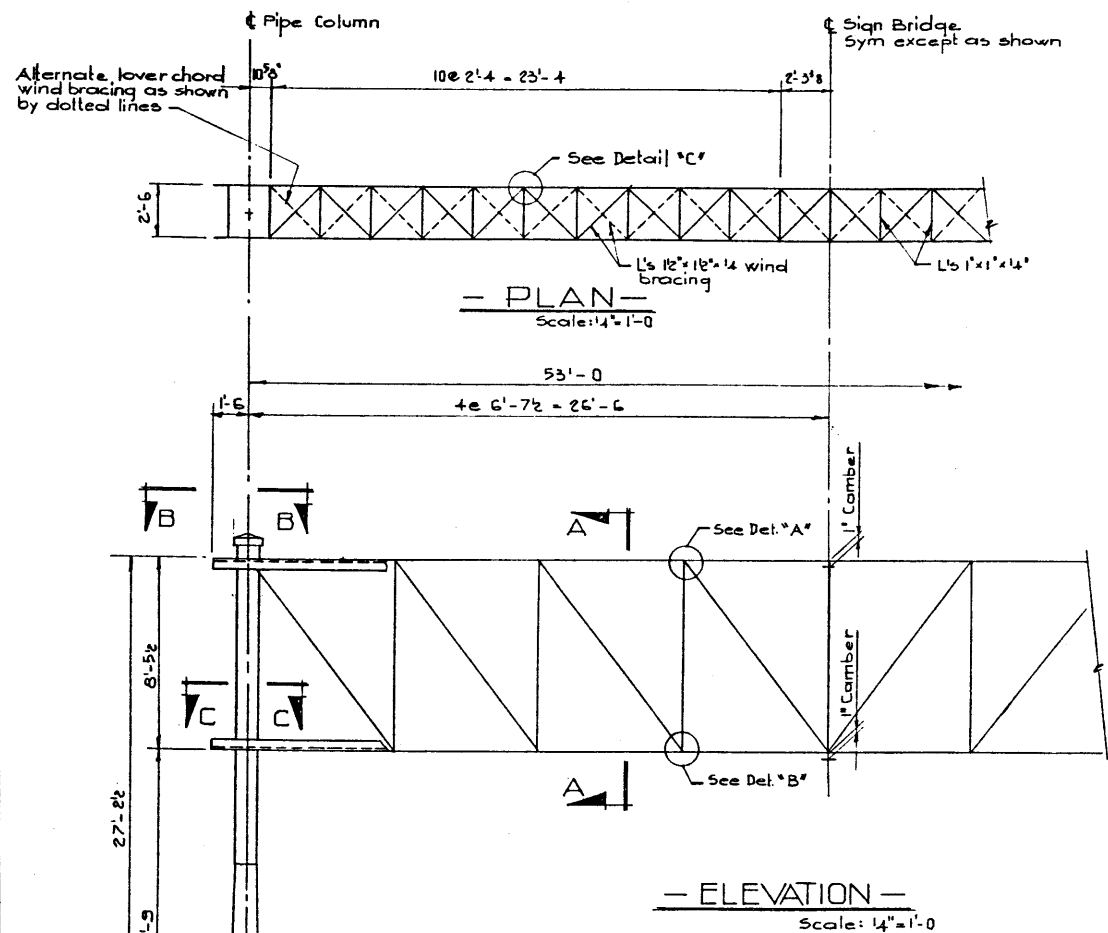
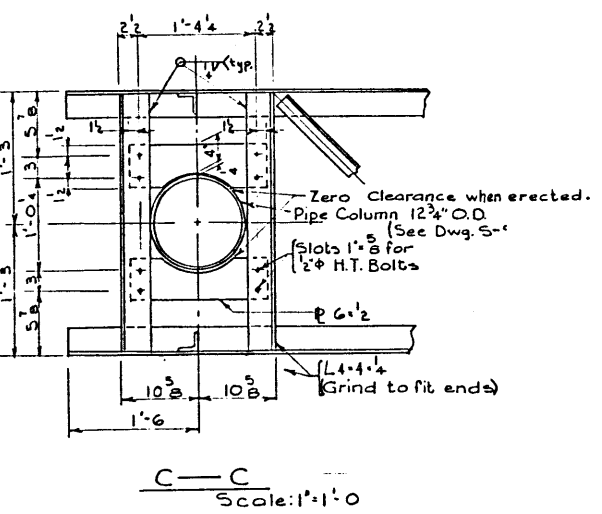
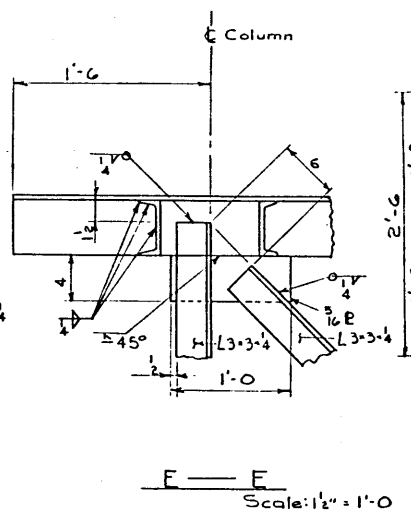
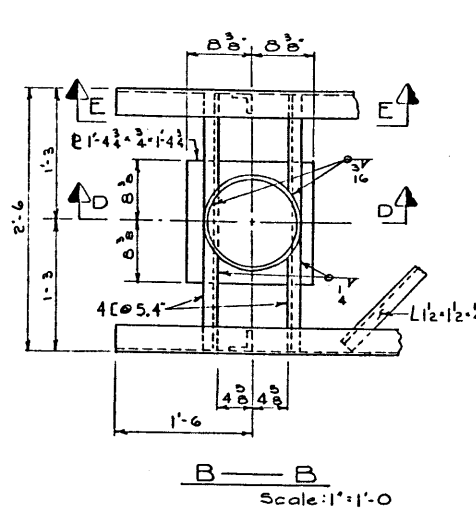
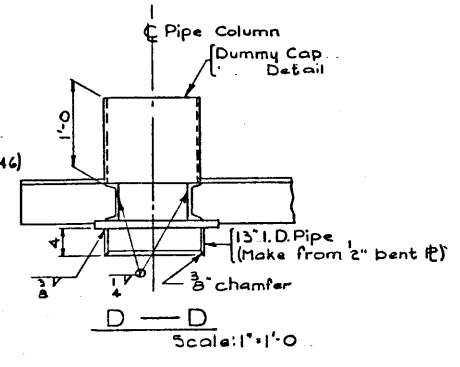
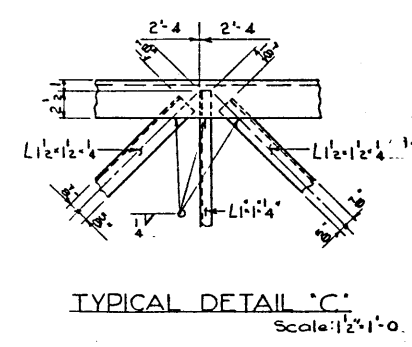
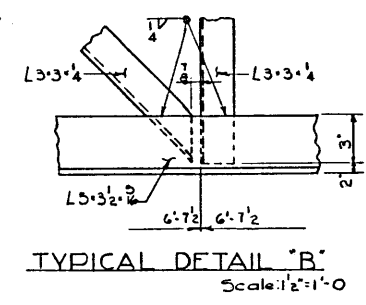
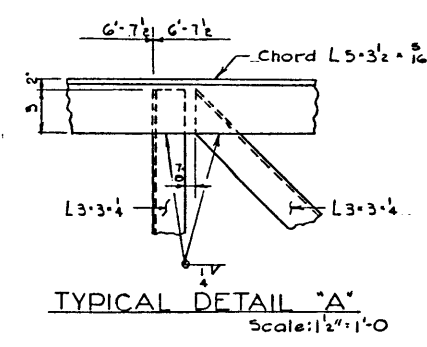


DESIGNED BY J. H. QUAPP DATE MAY 19 52
 CHECKED BY DATE



NOTES:
 *For "General Notes" see dwg. S-960, "Railing Details & Notes."



Work this dwg. in conjunction with "Sign Structure Layout," "Post," & "Walkway Details" dwgs.

STANDARD SIGN BRIDGE
 53' SPAN
 TRUSS DETAILS

GOVERNMENT OF THE PROVINCE OF ALBERTA
 DEPARTMENT OF HIGHWAYS
 BRIDGE BRANCH, EDMONTON

NO.	DATE	DESCRIPTION	BY
1	Oct. 30. 57	Redrawn from 334B-P.H.P.	

FILE NO. _____ HWY. NO. _____ DWG. NO. 5-945
 LOCATION _____ SCALE _____ SHEET _____ OF _____

ALBERTA RECORDS CENTRE
 1980