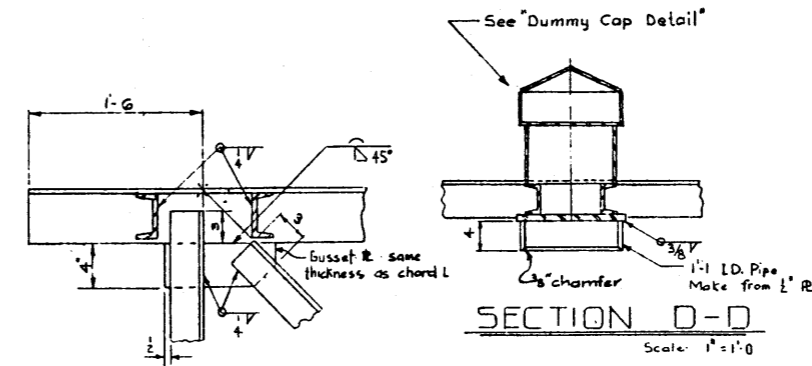
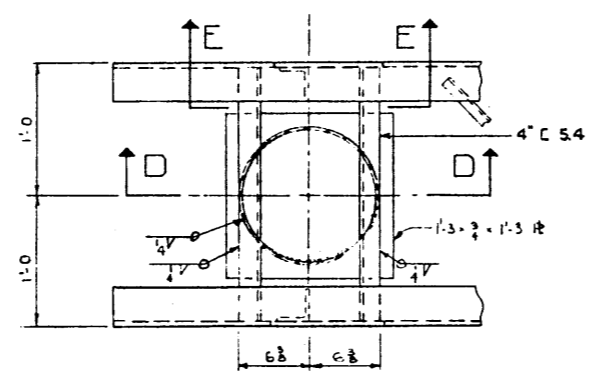
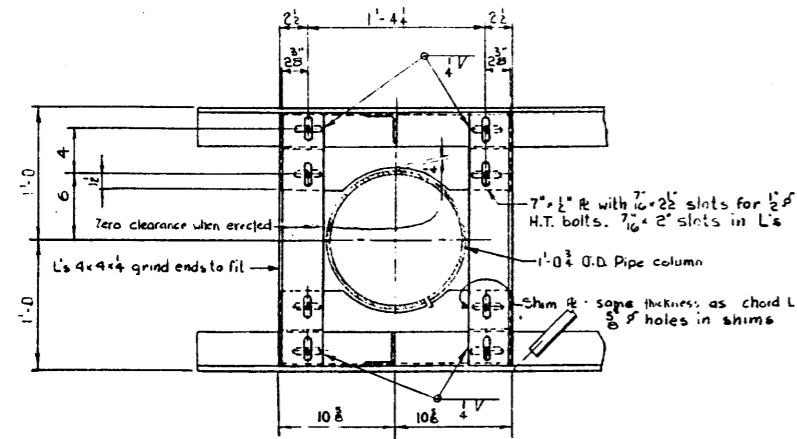
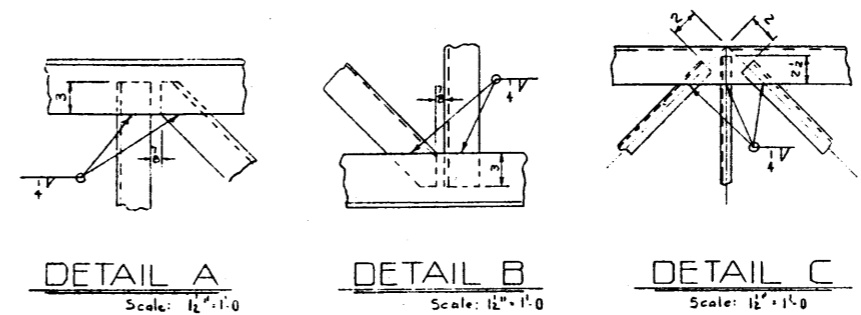


NOTES:  
• For "General Notes" see  
dwg. S-900, "Railing Details & Notes."



NO.	DATE	DESCRIPTION	BY
1	Oct 1/67	Redrawn	D.A.

Work this dwg. in conjunction with  
"Sign Structure Layout," "Post,"  
& "Walkway Details" dwgs.

STANDARD SIGN BRIDGE  
56-8 SPAN  
TRUSS DETAILS

GOVERNMENT OF THE PROVINCE OF ALBERTA  
DEPARTMENT OF HIGHWAYS  
BRIDGE BRANCH, EDMONTON

FILE NO. \_\_\_\_\_ HWY. NO. \_\_\_\_\_ DWG. NO. S-946  
LOCATION \_\_\_\_\_ SCALE as noted SHEET \_\_\_\_\_ OF \_\_\_\_\_

DESIGNED BY D. H. Q. & R. Ch.  
DATE August 19 63  
CHECKED BY \_\_\_\_\_ DATE \_\_\_\_\_

