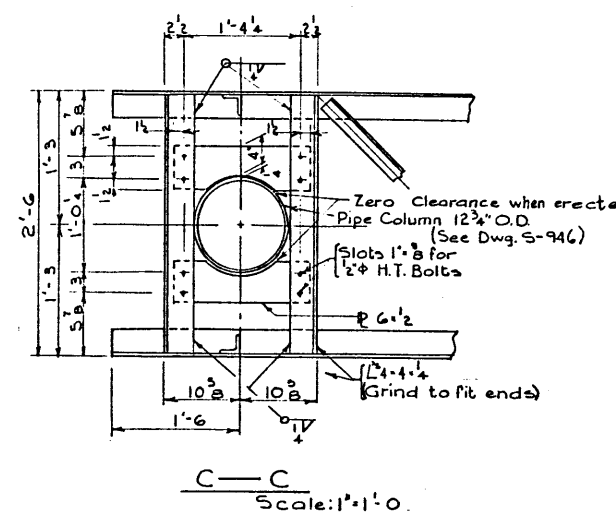
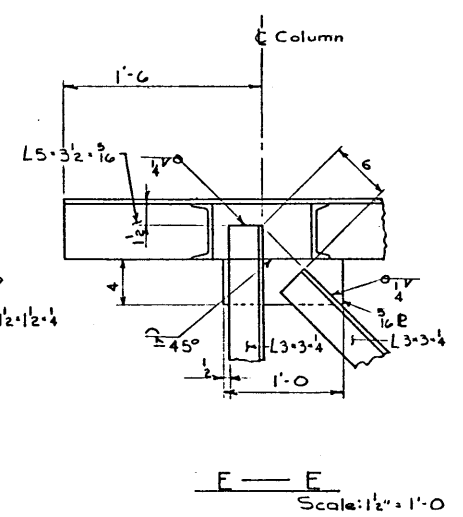
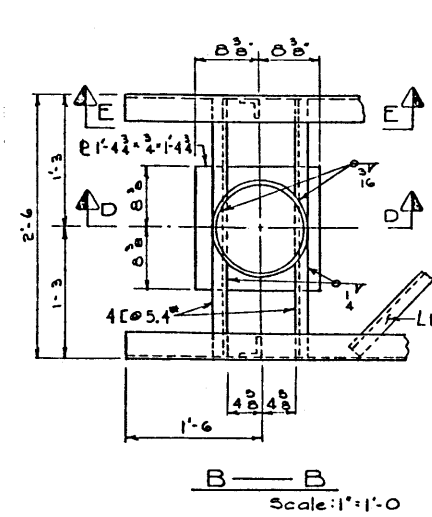


NOTES:
For "General Notes" see dwg. S-960, "Railing Details & Notes."



Work this dwg. in conjunction with "Sign Structure Layout," "Post," & "Walkway Details" drawings.

STANDARD SIGN BRIDGE
57'-8 SPAN
TRUSS DETAILS

GOVERNMENT OF THE PROVINCE OF ALBERTA
DEPARTMENT OF HIGHWAYS
BRIDGE BRANCH, EDMONTON

FILE NO.	HWY. NO.	DWG. NO.	
NO.	DATE	DESCRIPTION	
REVISIONS		BY	
NO.	DATE	DESCRIPTION	BY

Scale: as noted
SHEET OF 5-948

DESIGNED BY DATE April 1 1961
D.H. QUAPP
CHECKED BY DATE

