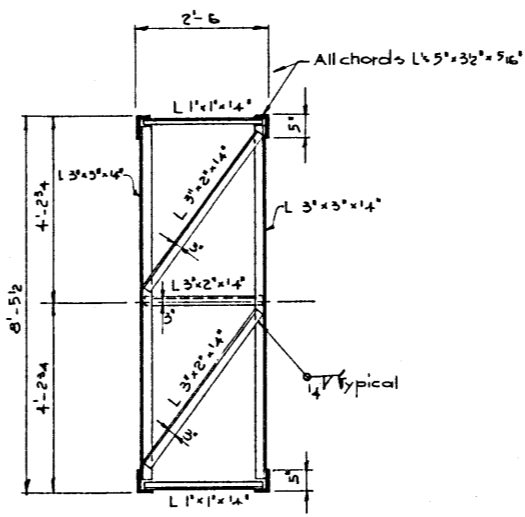
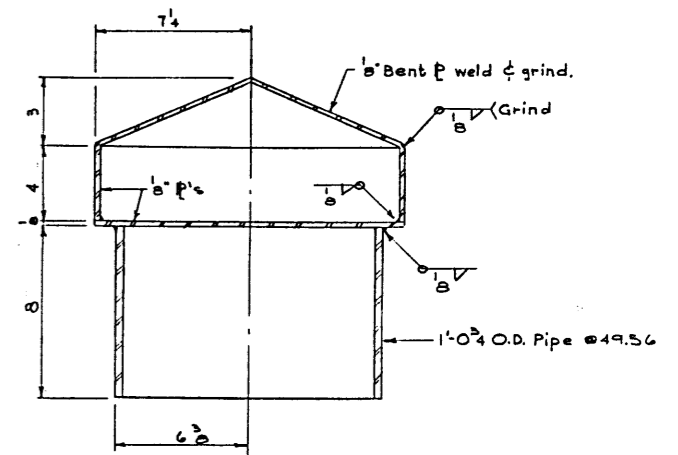


-PLAN-
Scale: 1/4" = 1'-0"

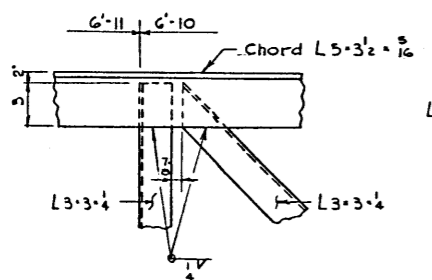
-ELEVATION-
Scale: 1/4" = 1'-0"



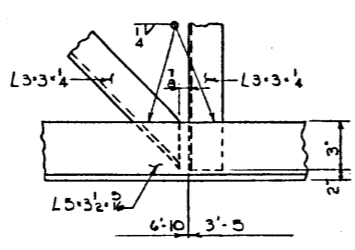
-TYPICAL SECTION A-A-
N.T.S.



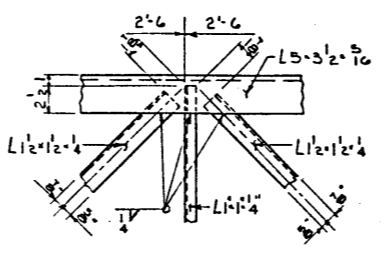
DUMMY CAP DETAIL
Scale: 3" = 1'-0"



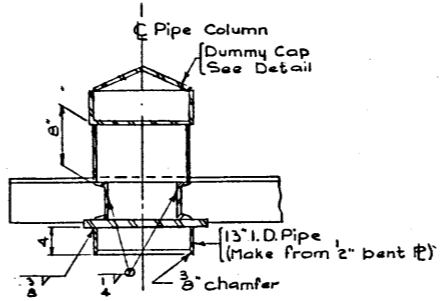
TYPICAL DETAIL "A"
Scale: 1/2" = 1'-0"



TYPICAL DETAIL "B"
Scale: 1/2" = 1'-0"

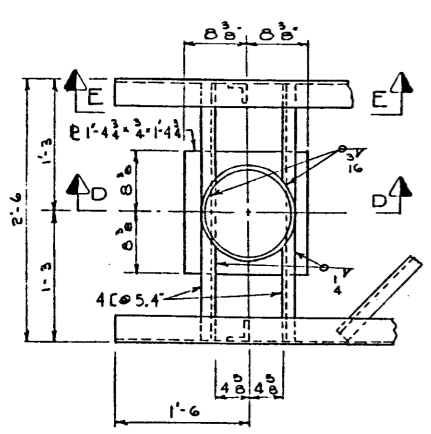


TYPICAL DETAIL "C"
Scale: 1/2" = 1'-0"

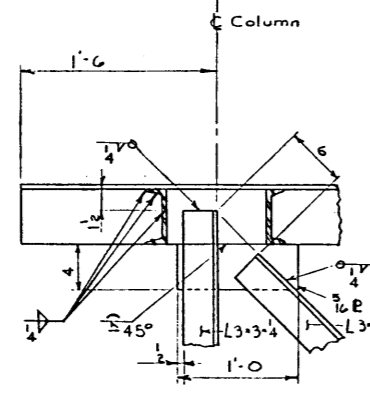


D - D
Scale: 1" = 1'-0"

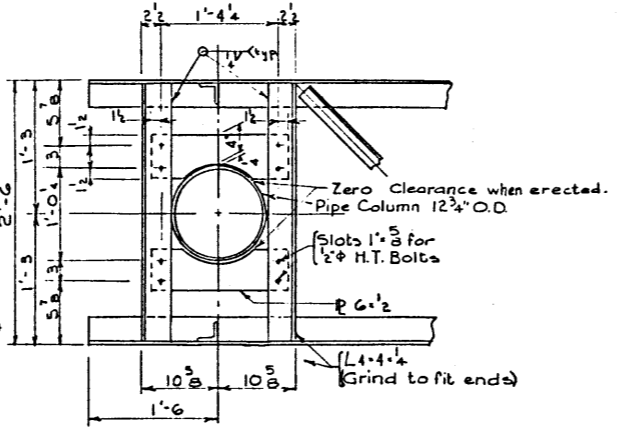
NOTES:
For "General Notes" see dwg. S-960, "Railing Details & Notes".



B - B
Scale: 1" = 1'-0"



E - E
Scale: 1/2" = 1'-0"



C - C
Scale: 1" = 1'-0"

Work this dwg. in conjunction with "Sign Structure Layout," "Post," & "Walkway Details".

**STANDARD SIGN BRIDGE
62' SPAN
TRUSS DETAILS**

GOVERNMENT OF THE PROVINCE OF ALBERTA
DEPARTMENT OF HIGHWAYS
BRIDGE BRANCH, EDMONTON

NO.	DATE	DESCRIPTION	BY
1	Oct. 26, 67	Redrawn from 3249-A.H.F.	

FILE NO. _____ HWY. NO. _____ DWG. NO. **5-950**
LOCATION _____ SCALE _____ SHEET _____ OF _____

DESIGNED BY _____ DATE _____
DETAILED BY **D.H. QUAPP** DATE **Dec. 19 61**
CHECKED BY _____ DATE _____

