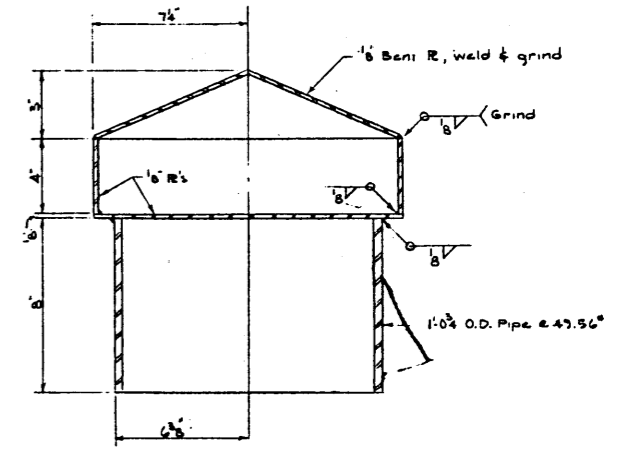
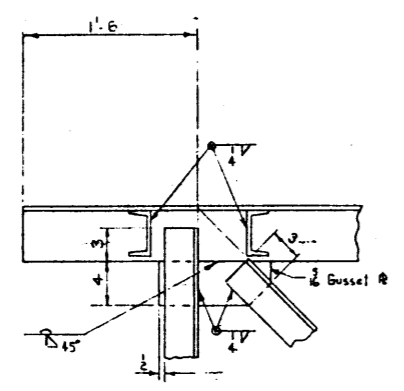


TYPICAL SECTION A-A
Scale: 1/2" = 1'-0"

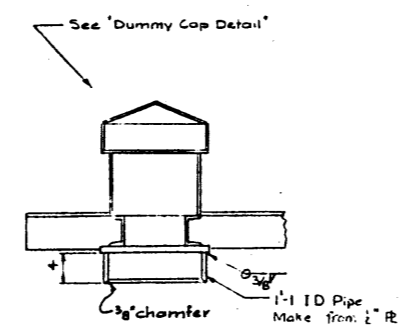


DUMMY CAP DETAIL
Scale: 5/8" = 1'-0"

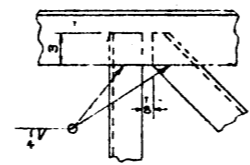
NOTES:
•For "General Notes" see
dwg. S-960, "Railing Details" & Notes.



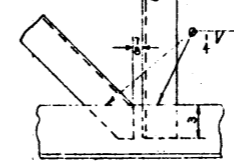
SECTION E-E
Scale: 1/2" = 1'-0"



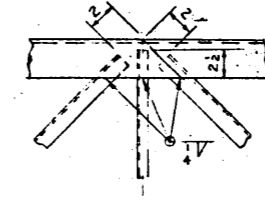
SECTION D-D
Scale: 1" = 1'-0"



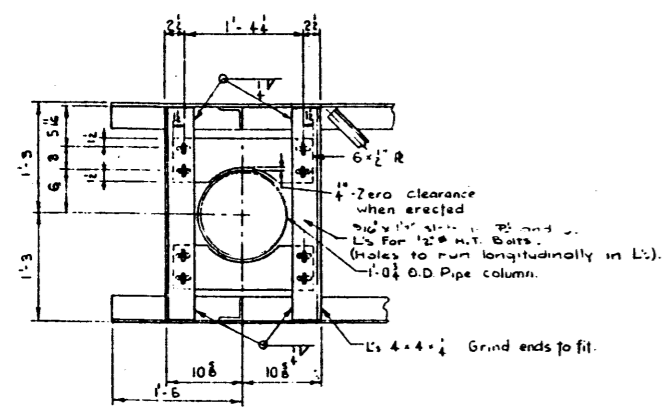
DETAIL A
Scale: 1/2" = 1'-0"



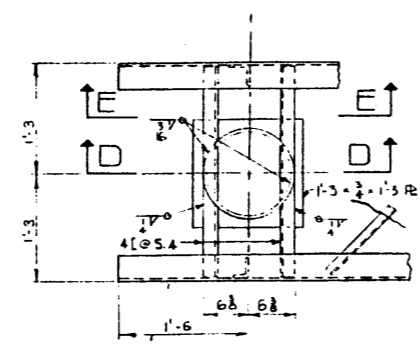
DETAIL B
Scale: 1/2" = 1'-0"



DETAIL C
Scale: 1/2" = 1'-0"



SECTION C-C
Scale: 1" = 1'-0"



SECTION B-B
Scale: 1" = 1'-0"

DESIGNED BY: D. H. QUINN
DATE: June 1952
CHECKED BY: DATE: 1952

Work this dwg. in conjunction with
"Sign Structure Layout," "Post,"
& "Walkway Details" dwgs.
Redrawn from Dwg. 4136-P.

STANDARD SIGN BRIDGE
65'-4" SPAN
TRUSS DETAILS

GOVERNMENT OF THE PROVINCE OF ALBERTA
DEPARTMENT OF HIGHWAYS
BRIDGE BRANCH, EDMONTON

NO.	DATE	DESCRIPTION	BY
	Oct 1/67	Redrawn	D.A.

FILE NO. _____ HWY. NO. _____ DWG. NO. S-951
LOCATION _____ SCALE as noted
STREAM _____ SHEET OF _____