

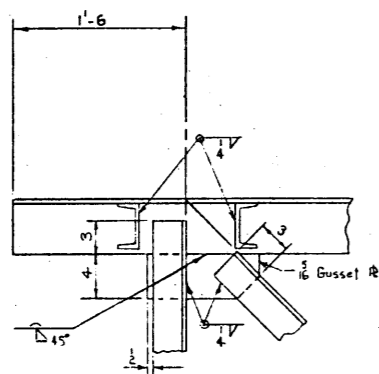
ELEVATION
Scale: 1/4" = 1'-0"

TYPICAL SECTION A-A
Scale: 1/2" = 1'-0"

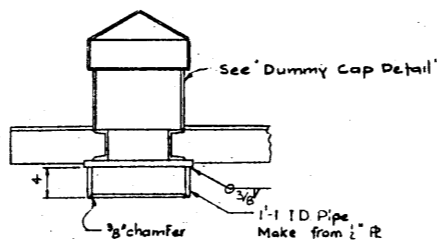
DUMMY CAP DETAIL
Scale: 3/8" = 1'-0"

NOTES:

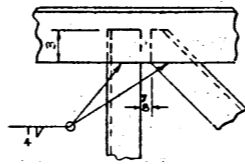
- For General Notes see Dwg. S 960, 'Railing Details and Notes'.



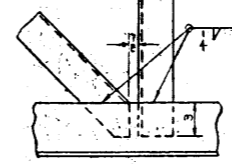
SECTION E-E
Scale: 1/2" = 1'-0"



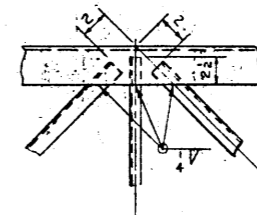
SECTION D-D
Scale: 1" = 1'-0"



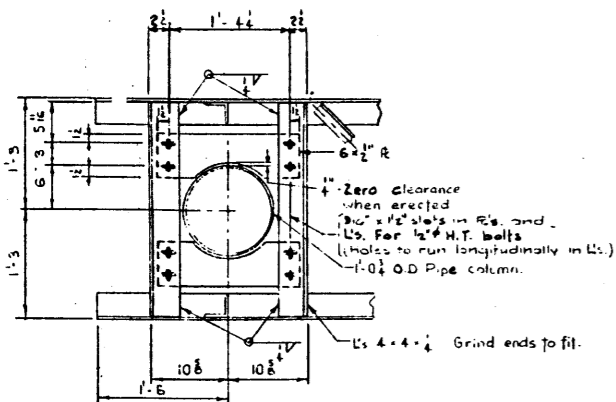
DETAIL A
Scale: 1/2" = 1'-0"



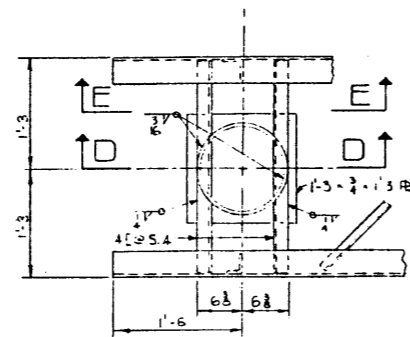
DETAIL B
Scale: 1/2" = 1'-0"



DETAIL C
Scale: 1/2" = 1'-0"



SECTION C-C
Scale: 1" = 1'-0"



SECTION B-B
Scale: 1" = 1'-0"

• Work this Dwg in conjunction with 'Sign Structure Layout', 'Post', and 'Walkway Details' dwgs.

**STANDARD SIGN BRIDGE
67'-4 SPAN
TRUSS DETAILS**



GOVERNMENT OF THE PROVINCE OF ALBERTA
DEPARTMENT OF HIGHWAYS
BRIDGE BRANCH, EDMONTON

NO.	DATE	DESCRIPTION	BY
	Oct 1/67		
REVISIONS			

FILE NO. _____ HWY. NO. _____ DWG. NO. **S-952**
LOCATION _____ SCALE 05 noted
STREAM _____ SHEET **2** OF **6**

DESIGNED BY _____ DATE _____
DETAILED BY D. H. QUDDR DATE JUNE 19 62
CHECKED BY _____ DATE _____

