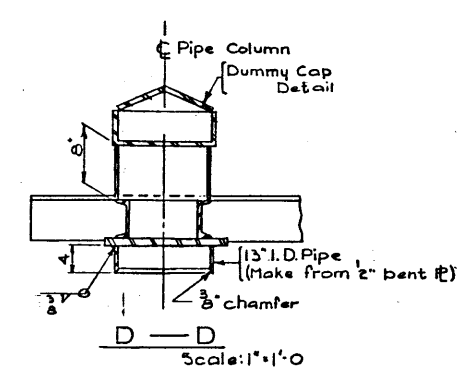
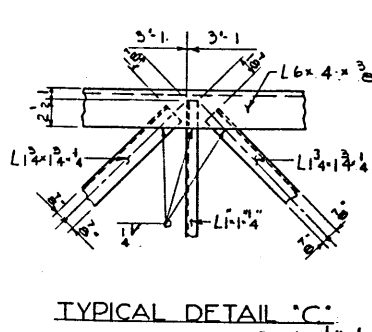
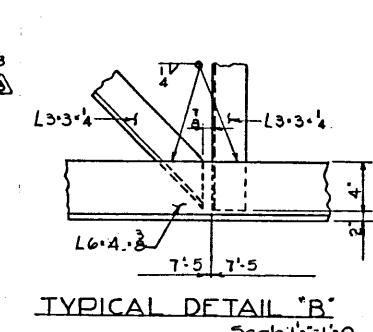
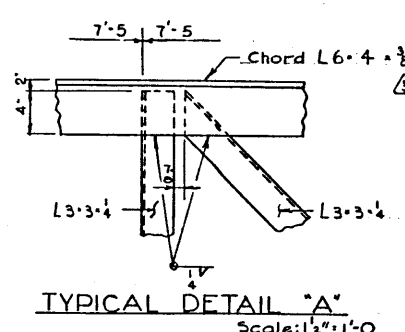


TYPICAL SECTION A-A
Scale: 1/2" = 1'-0"

NOTES:
For "General Notes" see
dwg. S-960, "Railing Details & Notes."

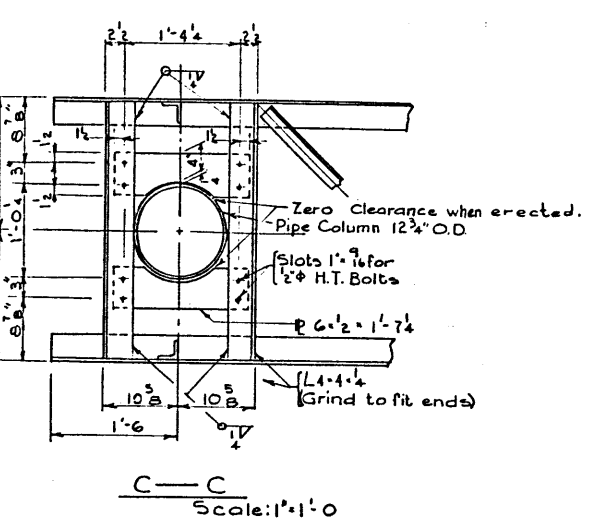
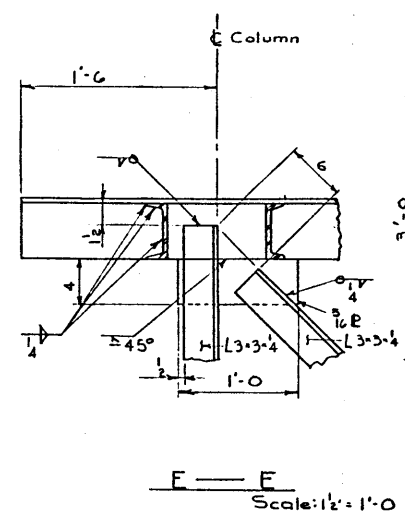
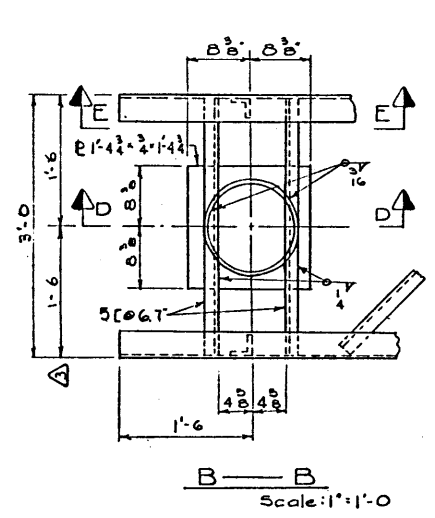


TYPICAL DETAIL "A"
Scale: 1/2" = 1'-0"

TYPICAL DETAIL "B"
Scale: 1/2" = 1'-0"

TYPICAL DETAIL "C"
Scale: 1/2" = 1'-0"

D - D
Scale: 1" = 1'-0"



B - B
Scale: 1" = 1'-0"

E - E
Scale: 1/2" = 1'-0"

C - C
Scale: 1" = 1'-0"

Work this dwg. in conjunction with
"Sign Structure Layout", "Post,"
& "Walkway Details" dwgs.

STANDARD SIGN BRIDGE
81'-4 SPAN
TRUSS DETAILS

GOVERNMENT OF THE PROVINCE OF ALBERTA
DEPARTMENT OF HIGHWAYS
BRIDGE BRANCH, EDMONTON

NO.	DATE	DESCRIPTION	BY
1	Aug. 12/71	Dimensions & Angles	RWK
2	Dec. 5/69	L-Thickness changed from 1/4"	L.K.
3	Oct. 24/67	Redrawn from 3247-P.D.A.	P.D.A.

FILE NO. _____ HWY. NO. _____ DWS. NO. _____
LOCATION _____ SCALE as noted _____ SHEET OF _____
S-954

DESIGNED BY _____ DATE _____
DETAILED BY _____ DATE _____
CHECKED BY _____ DATE _____

