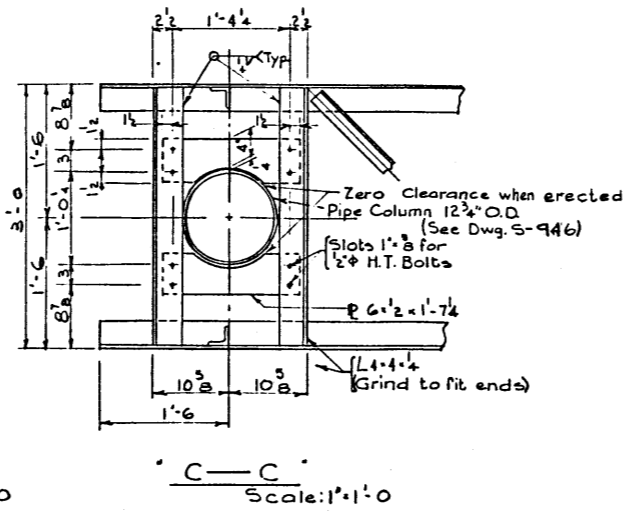
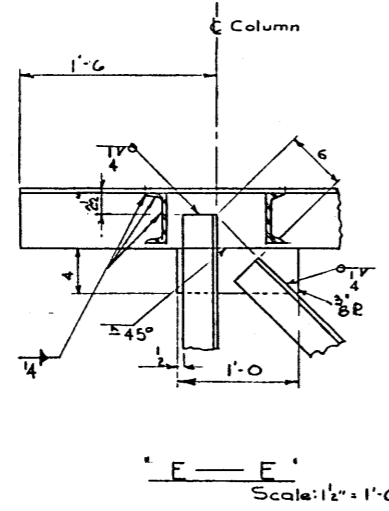
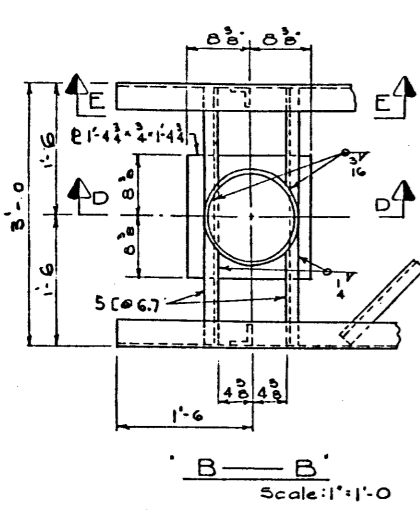
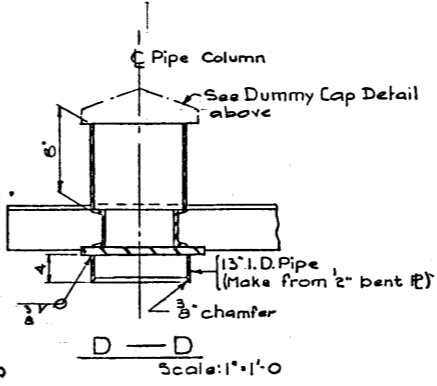
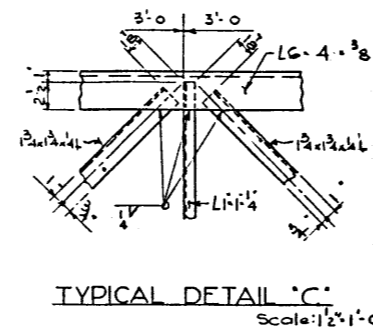
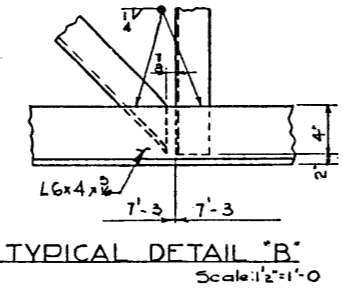
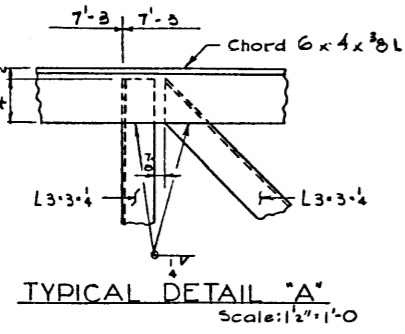


NOTES:  
 • For 'General Notes' see  
 dwg. S-960, 'Railing Details & Notes.'



• Work this dwg. in conjunction with  
 "Sign Structure Layout," "Post,"  
 & "Walkway Details" dwgs.

STANDARD SIGN BRIDGE  
 87'-0 SPAN  
 TRUSS DETAILS

GOVERNMENT OF THE PROVINCE OF ALBERTA  
 DEPARTMENT OF HIGHWAYS  
 BRIDGE BRANCH, EDMONTON

FILE NO. \_\_\_\_\_ HWY. NO. \_\_\_\_\_ DWG. NO. \_\_\_\_\_  
 LOCATION SCALE as noted SHEET OF 5-955

NO.	DATE	DESCRIPTION	BY
1	Oct. 18/67	Redrawn from 3247-P D.A.	

DESIGNED BY D.H. QUAPP DATE Dec. 19 61  
 DETAILED BY D.H. QUAPP DATE Dec. 19 61  
 CHECKED BY \_\_\_\_\_ DATE \_\_\_\_\_

