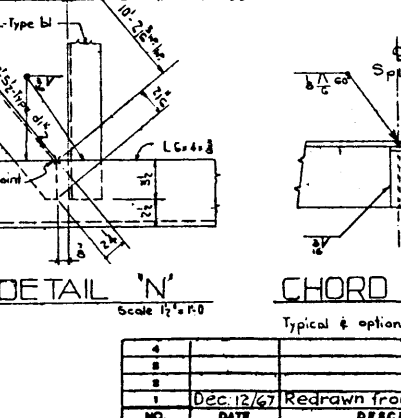
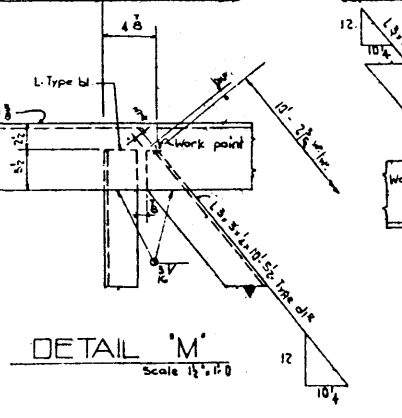
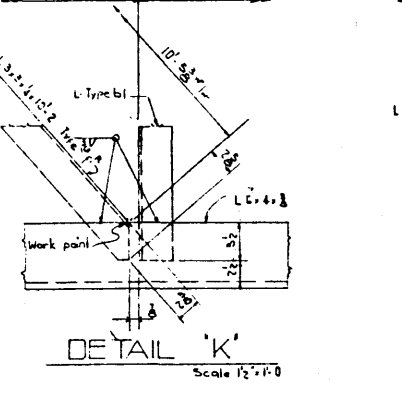
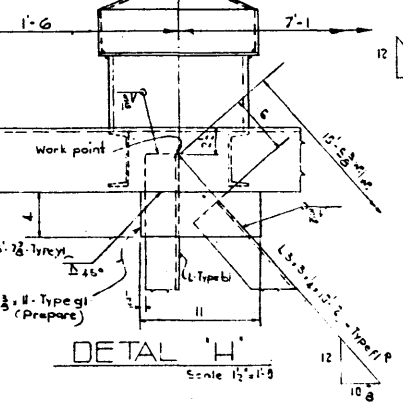
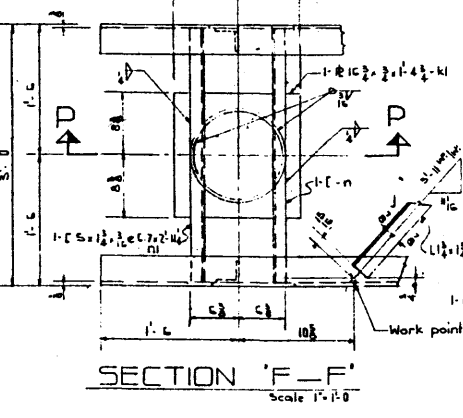
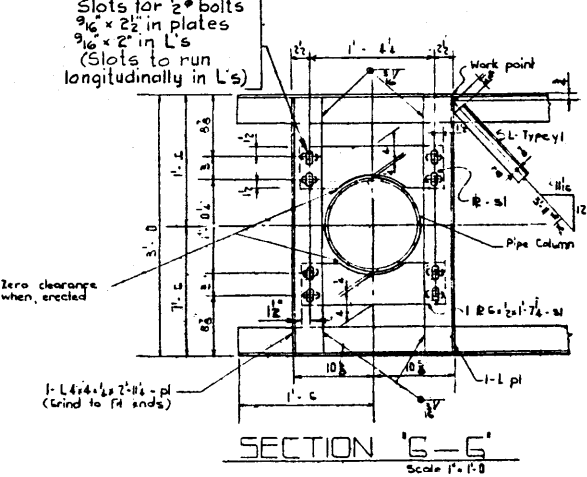
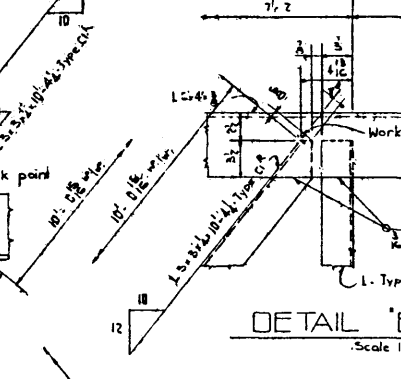
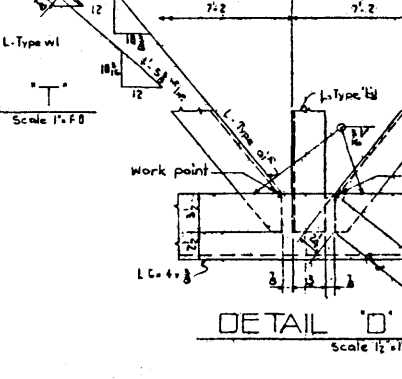
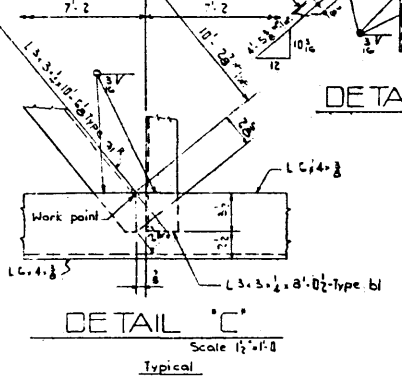
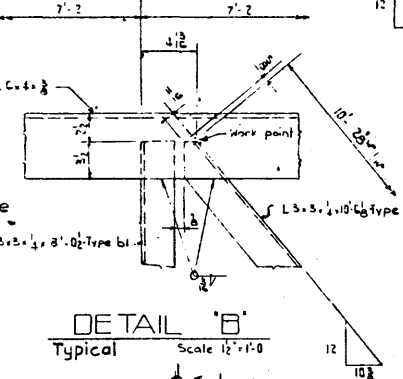
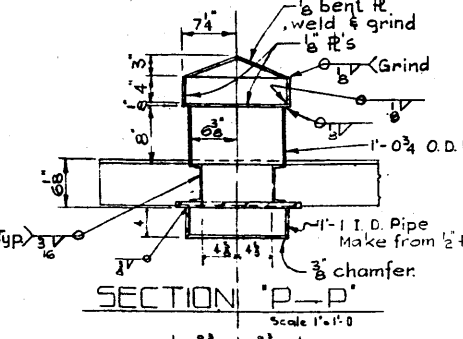


BILL OF MATERIAL

TYPE	NO	SIZE	SHAPE	LENGTH	WEIGHT	REMARKS
bl	4	L 6 x 4 x 3/8		103'-0"	5048	Field splice optional
bl	30	L 3 x 3 x 1/2		3'-0 1/2"	1192	
al	13	L 3 x 3 x 1/2		10'-0 1/2"	927	9" x 9"
al	2	L 3 x 3 x 1/2		10'-0 1/2"	101	1" x 1"
al	4	L 3 x 3 x 1/2		10'-0 1/2"	225	2" x 2"
pl	4	L 3 x 3 x 1/2		10'-0 1/2"	199	2" x 2"
bl	4	R 4 x 3/8		0'-11"	19	
kl	2	R 10 x 3/8		1'-4 1/2"	119	
ml	2	13 I.D.		9'-4"	48	Make from 1/2" board
nl	4	L 5 x 1 1/2 x 1/2 @ 2'-7"		2'-11 1/2"	79	
pl	4	L 4 x 4 x 3/8		2'-11 1/2"	78	Grind to fit ends
sl	4	R 6 x 2		1'-7 1/2"	65	
li	13	L 3 x 2 x 1/2		2'-11"	155	
ul	26	L 3 x 2 x 1/2		6'-0"	480	
vl	38	L 1 1/2 x 1 1/2 x 1/4		4'-2"	438	
wl	54	L 1 1/2 x 1 1/2 x 1/4		2'-10 1/2"	430	
xl	12	L 1 1/2 x 1 1/2 x 1/4		4'-1 1/2"	137	
yl	4	L 1 1/2 x 1 1/2 x 1/4		3'-7 1/2"	41	
zl	2	L 1 1/2 x 1 1/2 x 1/4		4'-0 1/2"	22	
	2	Dummy Caps		0'-8"	99	
					Total weight:	9892



NOTES

- For General Notes see Dwg. S-960, "Railing Details and Notes."
- Work this Dwg. in conjunction with "Sign Structure Layout," "Post," and "Walkway Details" Dwg's.

**STANDARD SIGN BRIDGE
100'-0 SPAN
TRUSS DETAILS**

GOVERNMENT OF THE PROVINCE OF ALBERTA
DEPARTMENT OF HIGHWAYS
BRIDGE BRANCH, EDMONTON

FILE NO. _____ HWY. NO. _____ DWG. NO. S-956
LOCATION _____ SCALE 9/8 noted
STREAM _____ SHEET _____ OF _____

NO.	DATE	DESCRIPTION	BY
1	Dec. 12/67	Redrawn from Dwg. 2977-C	R.C.

REVISIONS

DESIGNED BY: L. Kohnmann
DATE: February 1961
CHECKED BY: _____
DATE: _____

