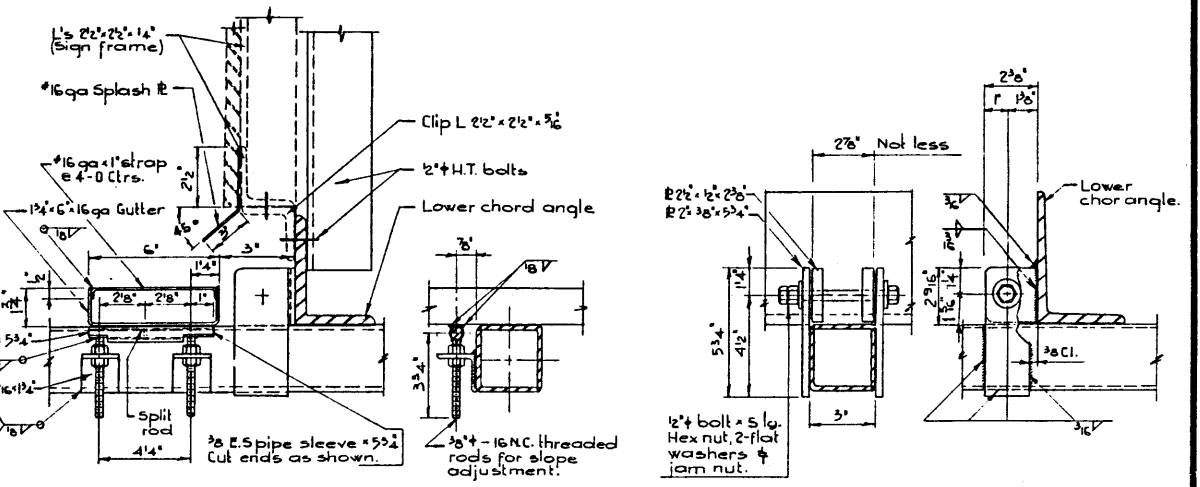
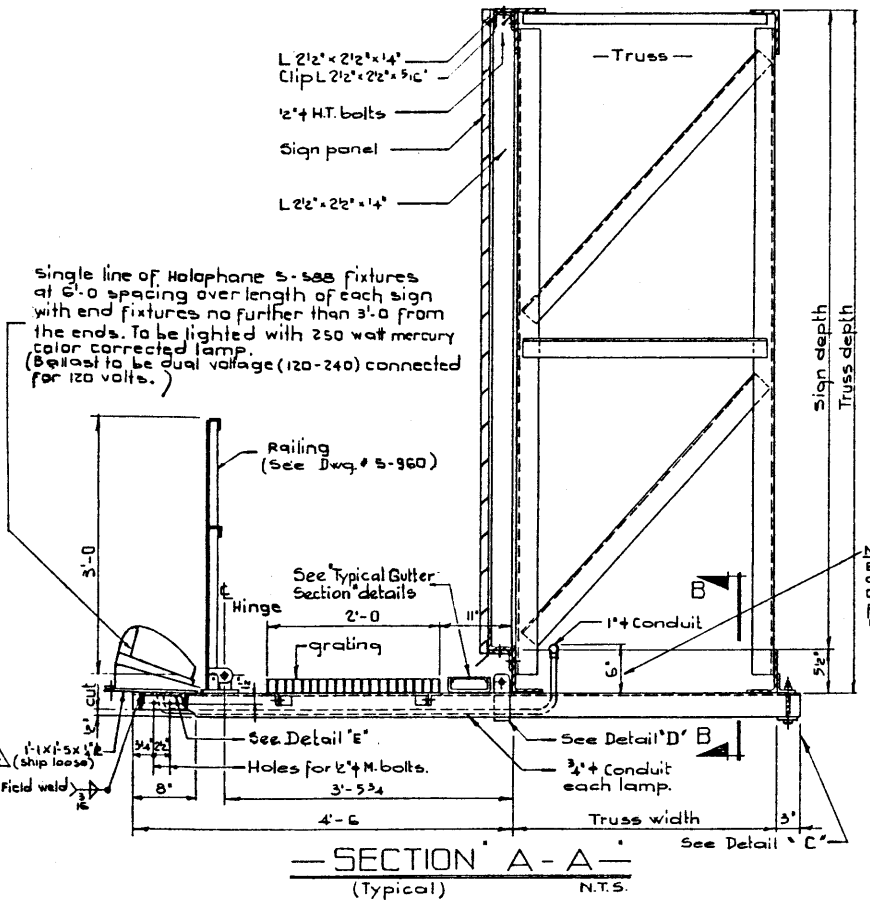


**NOTE:**  
Walkway grating to be continuous (no splice) over as many walkway brackets as practicable consistent with fabrication, ease of handling, and assembling.



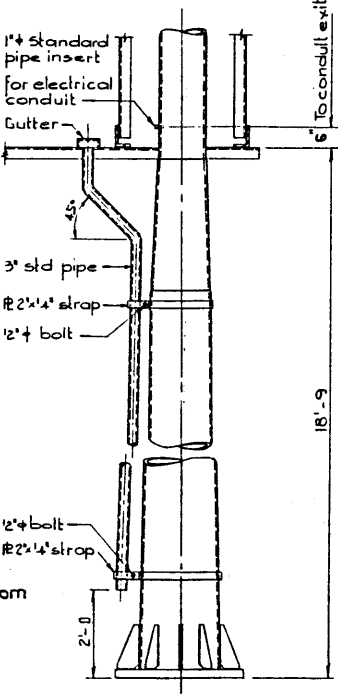
**-TYPICAL GUTTER SECTION-**  
N.T.S.

**-DETAIL 'D'-**  
Scale: 3\"/>

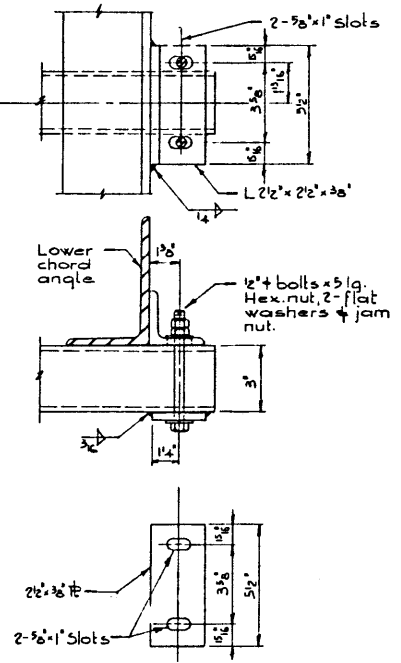


Single line of Halophane 5-588 fixtures at 6'-0\"/>

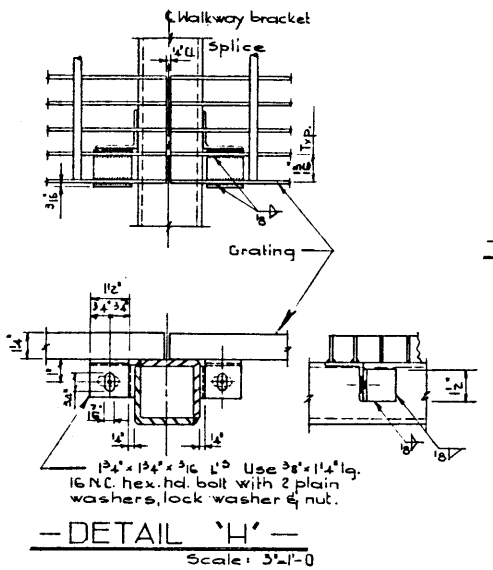
**NOTE:**  
Electrical conduit and boxes to be concealed in the plane of the bottom chord.



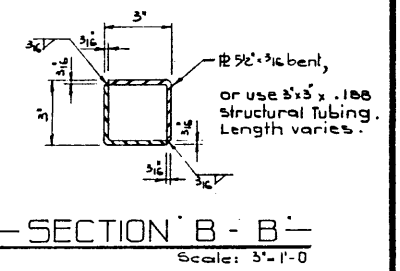
**-SECTION 'N-N'-**  
Scale: 1/2\"/>



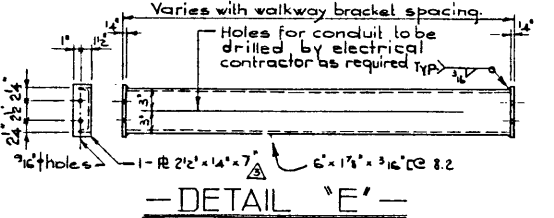
**-DETAIL 'C'-**  
Scale: 3\"/>



**-DETAIL 'H'-**  
Scale: 3\"/>

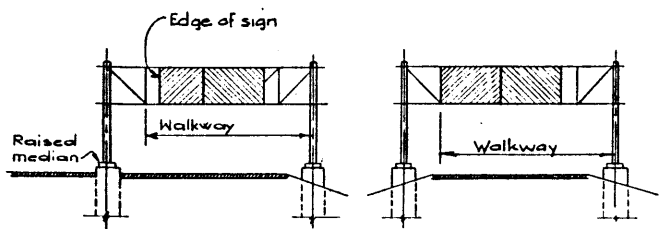


**-SECTION 'B-B'-**  
Scale: 3\"/>



**-DETAIL 'E'-**

**NOTES:**  
 • For General Notes see Dwg. S-950, Railing Details and Notes.  
 • Gutter assembly & splash plate to be hot-dipped galvanized. Close both ends of gutter.  
 • Sign frame, clip angles & splash R are not to be supplied by fabricator.



Unless otherwise noted on the Sign Structure Layout, the walkway shall extend from the right side of the truss to the next vertical truss member beyond the left edge of the sign surface. For cantilevers, the walkway is to extend over the full length of the cantilever.

**WALKWAY LOCATION**

DESIGNED BY D.H. QUAPP  
 DATE JUNE 1962  
 CHECKED BY  
 DATE

NO.	DATE	DESCRIPTION	BY
1	Sept 9/71	Plate size	R.W.K.
2	Aug. 1963	R length changed	P.S.
3	Aug. 20/1964	New light fixtures added	L.K.
4	OCT. 13, 1967	Redrawn from Dwg. 5392-R.N.F.	R.N.F.

**STANDARD SIGN BRIDGE**  
**WALKWAY DETAILS**

GOVERNMENT OF THE PROVINCE OF ALBERTA  
 DEPARTMENT OF HIGHWAYS  
 BRIDGE BRANCH, EDMONTON

FILE NO. \_\_\_\_\_ HWY. NO. \_\_\_\_\_ DWG. NO. **S-958**  
 LOCATION \_\_\_\_\_ SCALE \_\_\_\_\_ SHEET \_\_\_\_\_ OF \_\_\_\_\_

AT U. I. - RECORDS CENTRE