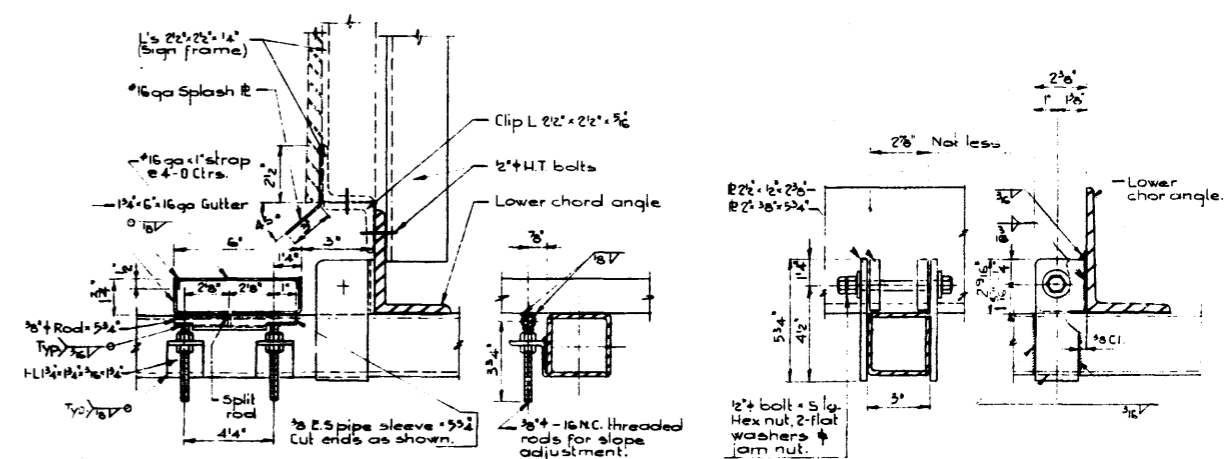
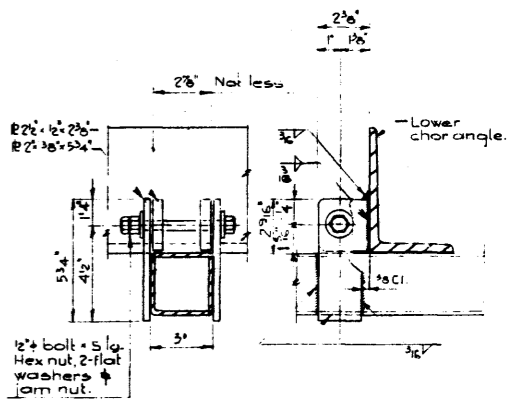


—PLAN— at frame bottom chord
N.T.S.

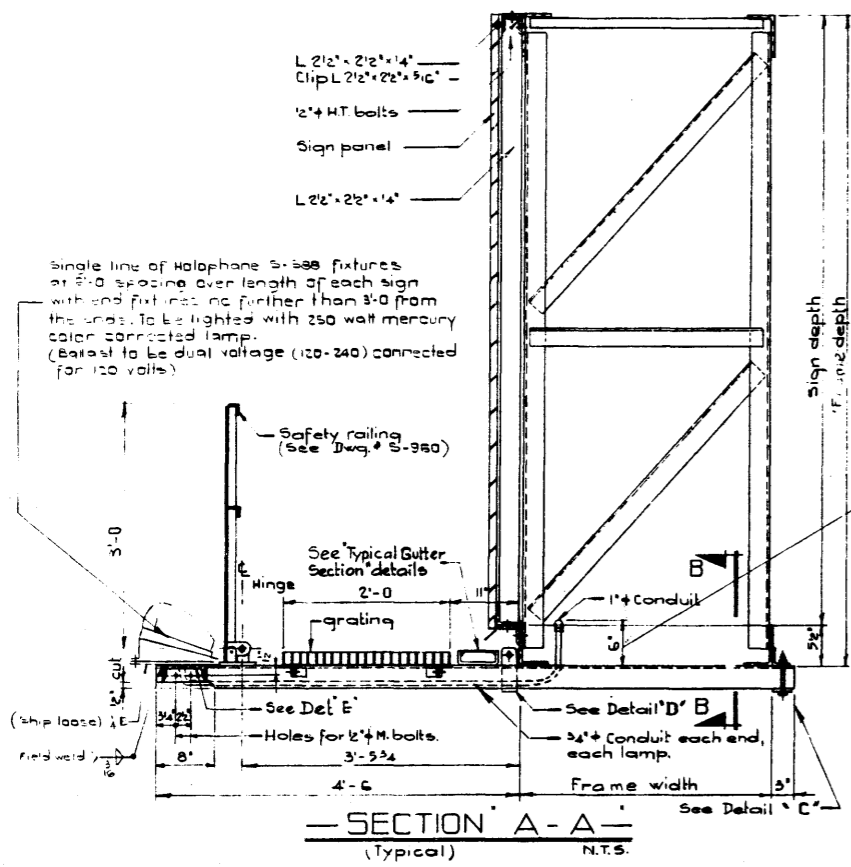
NOTE: Walkway grating to be continuous (no splices) over as many walkway brackets as practicable, consistent with fabrication, ease of handling, and assembling.



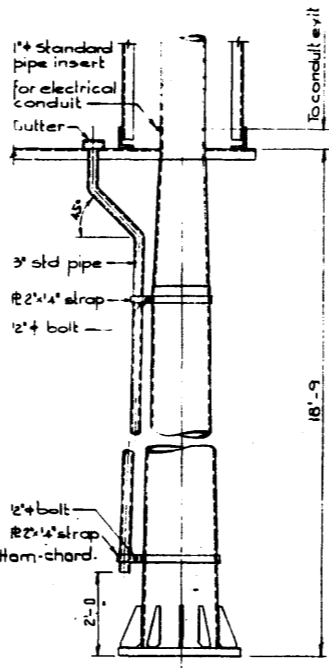
—TYPICAL GUTTER SECTION—
N.T.S.



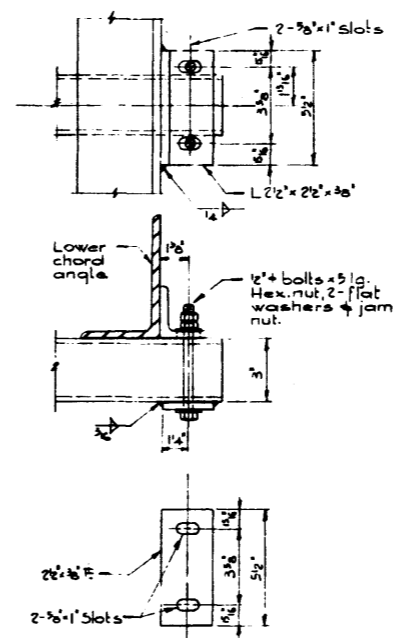
—DETAIL 'D'—
Scale: 3/4"=1'-0"



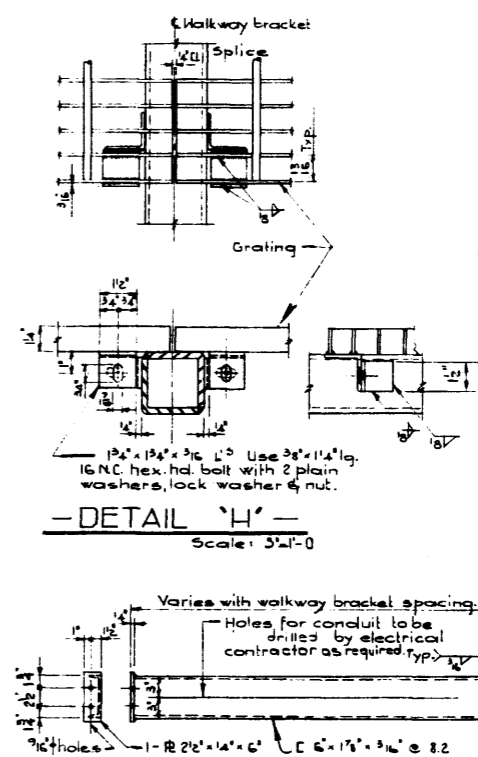
—SECTION A - A—
(Typical) N.T.S.



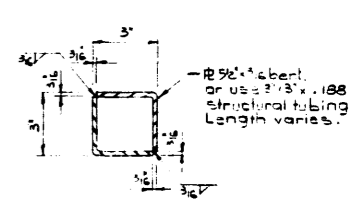
—SECTION N - N—
Scale: 1/2"=1'-0"



—DETAIL 'C'—
Scale: 3/4"=1'-0"



—DETAIL 'H'—
Scale: 3/4"=1'-0"



—SECTION B - B—
Scale: 3/4"=1'-0"

Single line of Halophane S-388 fixtures at 2'-0" spacing over length of each sign with end fixtures no further than 3'-0" from the ends. To be lighted with 250 watt mercury color connected lamp. (Best to be dual voltage (120-240) connected for 120 volts)

Note: Electrical conduit and boxes to be concealed in the plane of the bottom-chord.

NOTES:
• For General Notes see Dwg. S-960, Railing Details and Notes.
• Gutter assembly & splash plate to be hot-dipped galvanized. Close both ends of gutter.
• Sign frame, clip angles & splash R are not to be supplied by fabricator.

• Work this drawing in conjunction with "Sign Structure Layout" and "Frame Details" drawings.

DESIGNED BY D.H. QUAPP
DATE JUNE 1962
CHECKED BY
DATE

NO.	DATE	DESCRIPTION	BY
1	Aug. 30, 1962	new light fixtures added	L.K.
2	OCT. 13, 1967	Redrawn from Dwg. 339-P M.F.	

BUTTERFLY SIGN STRUCTURE
WALKWAY DETAILS

GOVERNMENT OF THE PROVINCE OF ALBERTA
DEPARTMENT OF HIGHWAYS
BRIDGE BRANCH, EDMONTON

FILE NO. _____ HWY. NO. _____
LOCATION _____ SCALE _____
STREAM _____ SHEET _____ OF _____ **S-959**