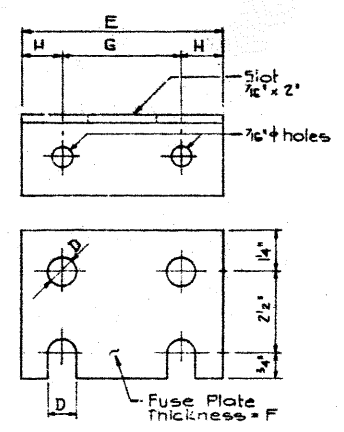
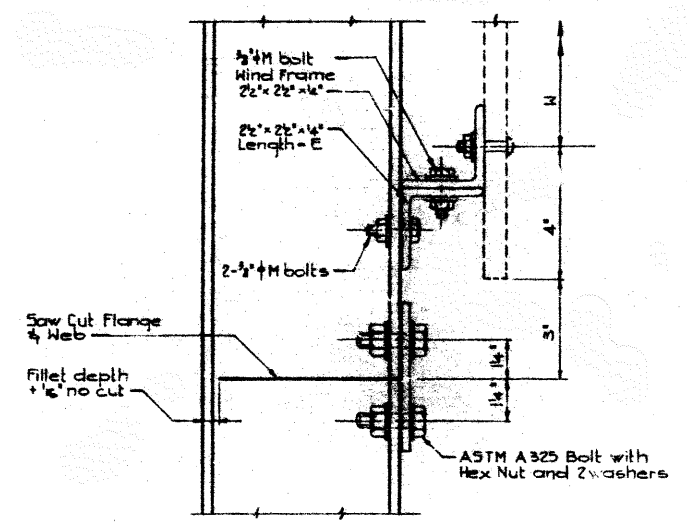
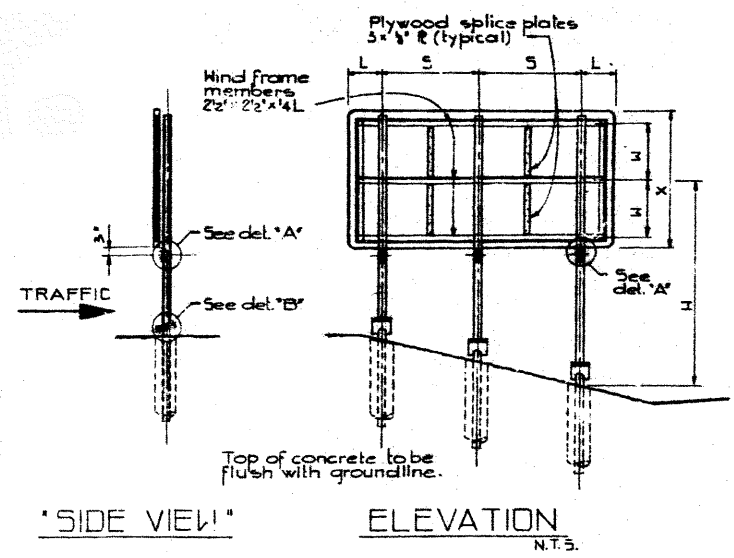


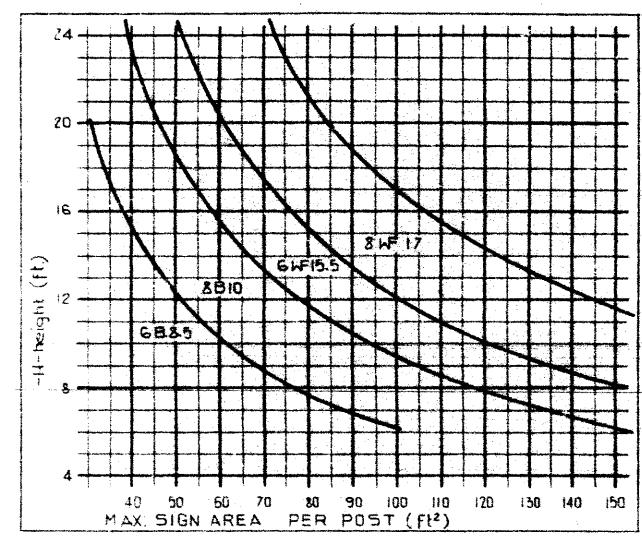
**GENERAL NOTES**

- DESIGN: AASHTO Specification for Design and Construction of Structural Supports for Highway Signs and National Building Code.
- MATERIAL: Structural steel and plate shall conform to ASTM Specification A 36. Bolts, nuts and washers shall conform to ASTM Specification A 325.
- Requirements of Bridge Branch Specification B187-64 for the Supply of Structural Steel for Bridges shall be met.
- All steel shall be blast cleaned after fabrication in accordance with Specification S 5 PC-SP-6-63 of the Steel Structures Painting Council.
- Shop paint shall have a dry thickness of 1.5 to 2.5 mils.
- Base plate connection including area of bolts shall be shop painted.
- DESIGN LOAD: National Building Code wind gust speed of 80 mph.
- All bolts shall be tightened as follows:

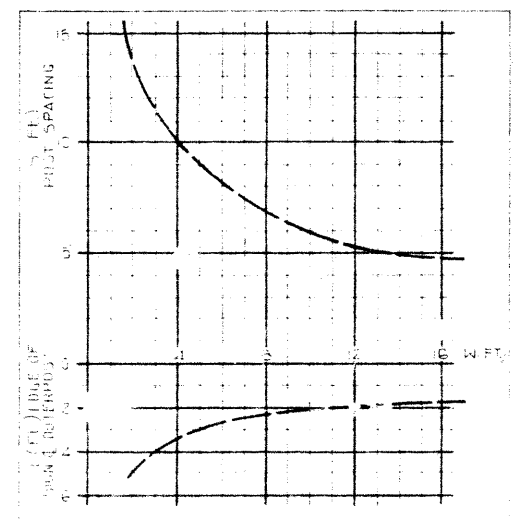
Bolt size	Torque	Residual tension
1/2"	101 Lb-ft	12,050 Lbs.
3/4"	200 Lb-ft	19,200 Lbs.
1"	356 Lb-ft	28,400 Lbs.



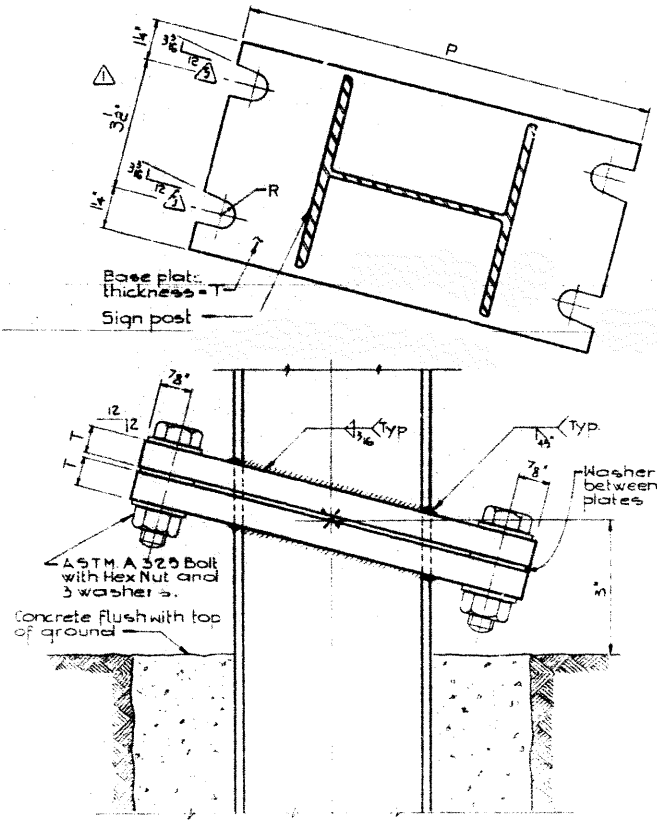
**DETAIL 'A'**  
Scale: 3/8\"/>



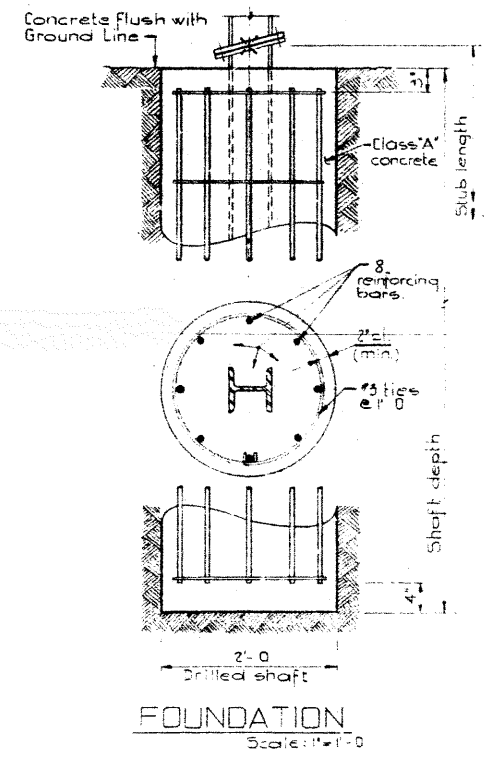
**POST SELECTION TABLE**  
Area = X(L \* 3/2) exterior post.  
Area = X(S) interior post.



**WIND FRAME SPACING TABLE**



**DETAIL 'B'**  
Scale: 3/8\"/>



**FOUNDATION**  
Scale: 1\"/>

POST SIZE	BASE CONNECTION DATA				FUSE PLATE DATA					
	Bolt Size	P	T	R	E	F	G	H	D	
6B85	1/2	10 1/2	3/4	3/32	2	4	4	2 1/4	7 1/2	3/8
8B10	1/2	12 1/2	3/4	3/32	3/8	4	4	2 1/4	7 1/2	1/2
6WF55	3/4	10 1/2	1	1/32	3/8	6	3/8	3 1/2	1 1/4	1/2
8WF17	1	12 1/2	1 1/2	1/32	1/4	5 1/4	3/8	2 1/4	1 1/4	1/2

POST SIZE	STUB SHAFT REINF	LENGTH	DEPTH	SIZE
6B85	2-0	4'-0	# 5	
8B10	2-0	5'-0	# 5	
6WF55	2'-6	5'-6	# 6	
8WF17	2'-6	6'-6	# 7	

NO.	DATE	DESCRIPTION	BY
1	87-01-30	SUPERSEDED BY S-1447	RCY
2	Dec. 11, 1969	Bevel on opposite side of hole	T.B.
3	Nov. 27, 1968	1 1/2\"/>	
4	Nov. 27, 1968	1 1/2\"/>	
5	Oct. 15, 1968	width reduced 1/2\"/>	

**BREAKAWAY GROUND MOUNTED SIGNS H-SECTION POSTS**

GOVERNMENT OF THE PROVINCE OF ALBERTA  
DEPARTMENT OF HIGHWAYS  
BRIDGE BRANCH, EDMONTON

FILE NO. 3116 HWY. NO. \_\_\_\_\_ DWG. NO. 5-970  
SCALE \_\_\_\_\_ SHEET \_\_\_\_\_ OF \_\_\_\_\_

**SUPERSEDED**

**SUPERSEDED**

87-5-1447  
87-01-30

DESIGNED BY J. PELLIAN 1968  
 DATE MAY 1968  
 CHECKED BY J. PELLIAN 1968  
 DATE MAY 1968