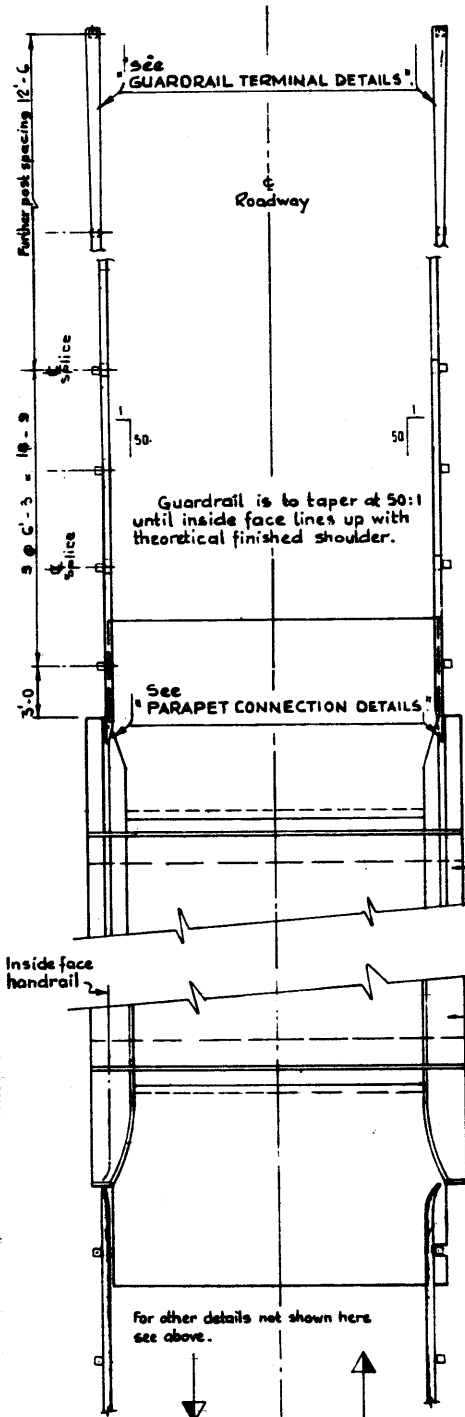
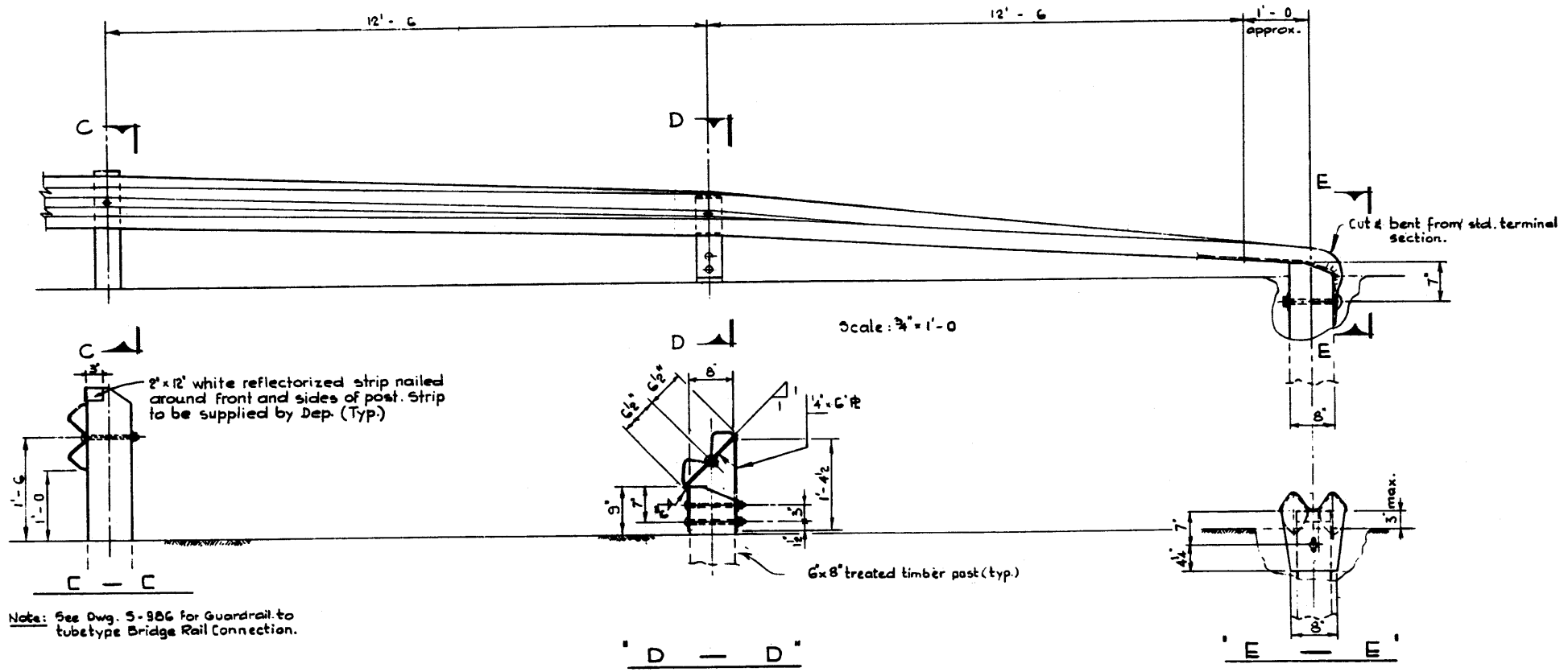


DESIGNED BY R. W. Mortensen DATE Aug. 19 68
 CHECKED BY P. Szóls DATE Aug. 19 68
 DRAWN BY



For out-bound traffic: Face of guardrail lines up with inside face of handrail or guardrail on bridge.
 For in-bound traffic: Face of guardrail lines up with inside face of curb.

GUARDRAIL AT BRIDGE ENDS
 N.T.S.

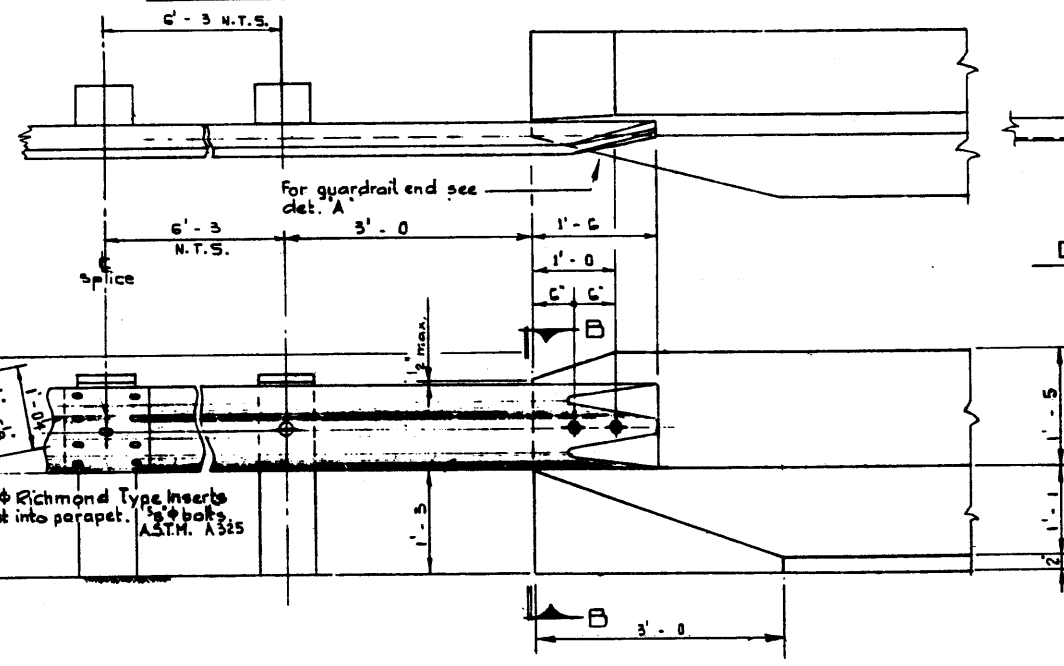


Note: See Dwg. 5-986 for Guardrail to tubetype Bridge Rail Connection.

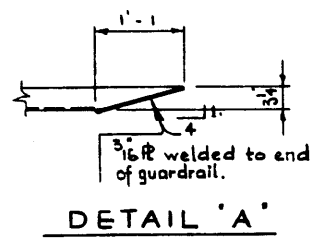
BRIDGE WITH PARAPETS

BRIDGE WITH CURBS

' GUARDRAIL TERMINAL DETAIL '



' PARAPET CONNECTION DETAILS '
 Scale: 1" = 1'-0"



DETAIL 'A'

- GENERAL NOTES:**
- Rail sections to be lapped in direction of traffic.
 - Normal guardrail height of 1'-6" to be transitioned over 25' to meet bridgerail or parapet connection.

GUARDRAIL AT BRIDGE APPROACHES

GOVERNMENT OF THE PROVINCE OF ALBERTA
 DEPARTMENT OF HIGHWAYS
 BRIDGE BRANCH EDMONTON

FILE NO.	REV. NO.	DWG. NO.
LOCATION	SCALE	5-974-73
SHEET	OF	

NO.	DATE	REVISION	BY
1		Edw. 5/974 Redrawn from 5-974-69	J.R.P.