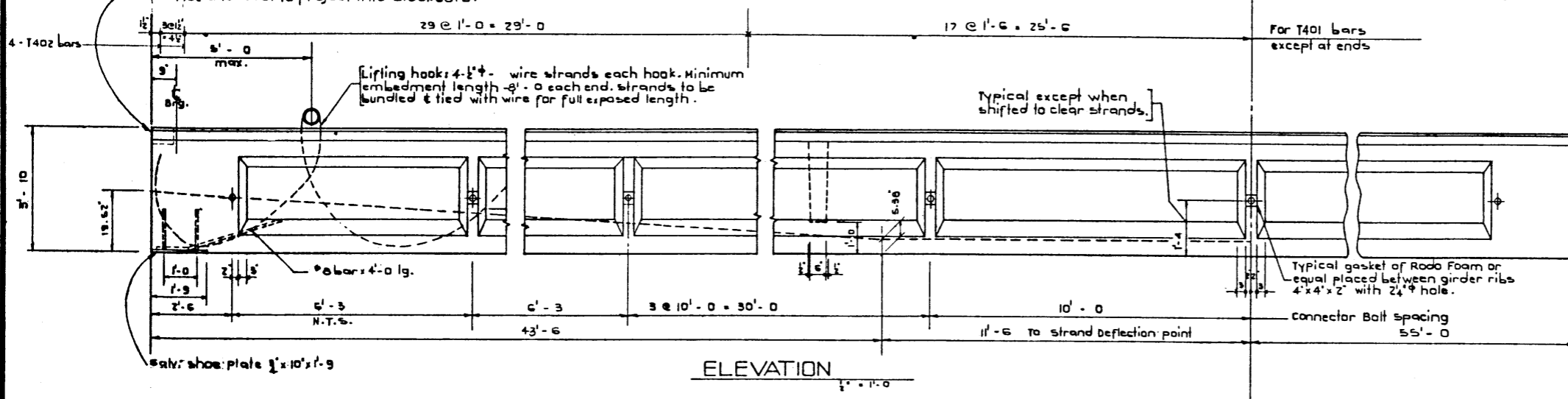
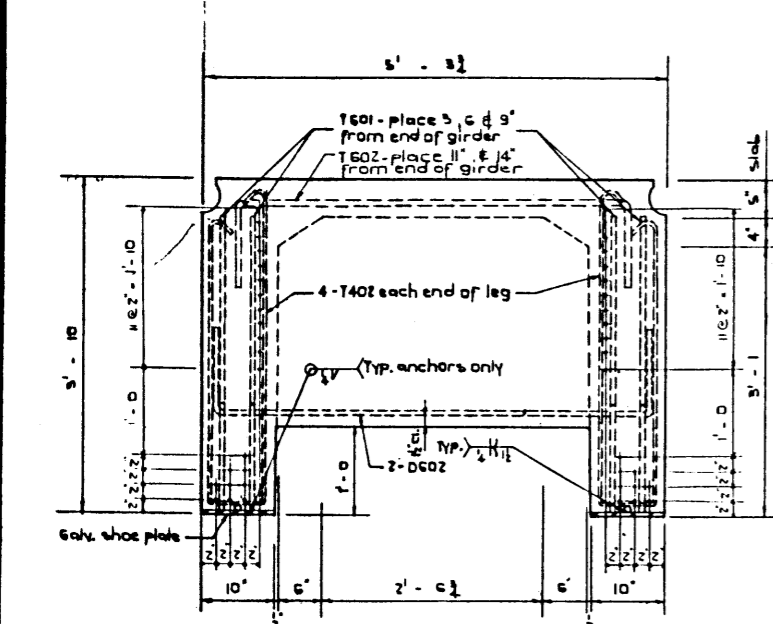


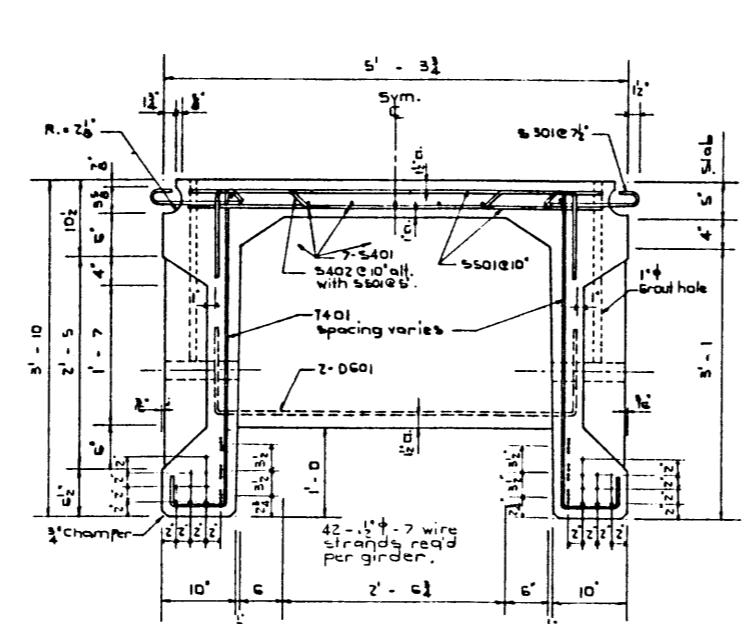
PLAN 1/2" = 1'-0" SKREW END 1/2" = 1'-0"



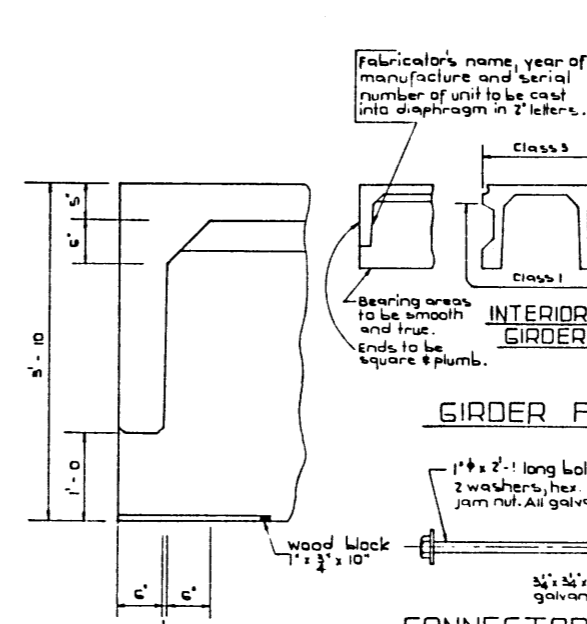
ELEVATION 1/2" = 1'-0"



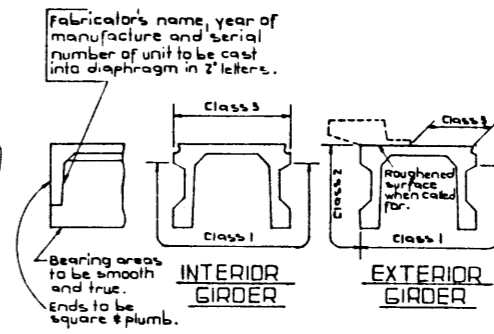
END VIEW 1/2" = 1'-0"



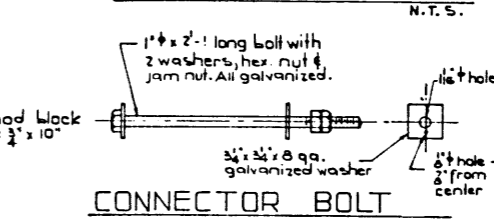
A - A 1/2" = 1'-0"



B - B 1/2" = 1'-0"



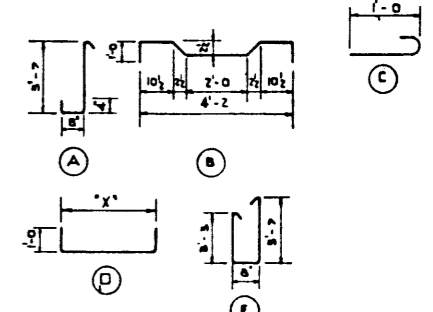
GIRDER FINISHES N.T.S.



CONNECTOR BOLT

BAR LIST For Unskewed Girder							
MARK	SIZE	NO	TYPE	"X"	"Y"	UNSTE	WEIGHT
D 601	6	8	D	4'-2		6'-2	74
D 602	6	4	D	5'-0		7'-0	42
# 501	5	354	C			1'-5	188
# 5401	4	21	W.R.			37'-4	524
# 5402	4	132	B			6'-4	558
# 501	5	266	W.R.			4'-9	1318
T 401	4	182	A			5'-0	608
T 402	4	16	E			8'-4	89
T 601	6	24	W.R.			5'-4	120
T 602	6	4	D	4'-6		6'-6	39
							Total lbs: 3,560

BAR TYPES:
(All bar dimensions are out to out)



GENERAL NOTES:

- DESIGN**
- A.A.S.H.O. 1965 Specification.
 - Loading: 0-30 of one wheel line of an H520-44 truck plus full dead load plus 2 1/2" wearing surface.
- MATERIALS**
- Prestressing steel is 270K 1/2" x 7 wire strand.
 - Concrete shall be of standard weight aggregate with a max. size of 3/4". Minimum compressive strength shall be 5000 p.s.i. at 28 days. Entrained air shall be between 5% and 8%.
- FABRICATION**
- Reinforcement: Diameters of all bends shall conform to the recommended sizes and all hooks, unless otherwise noted, shall conform to the recommended sizes detailed in the A.C.I. Manual of Standard Practice for Detailing Reinforced Concrete Structures.

- Prestressing steel: initial tensioning load = 28.91K/strand
Design Load = 22.59K/strand
 - Concrete must attain 4950 p.s.i. compressive strength before the prestressing force is transferred.
 - Formworking shall be in accordance with A.S.T.M. Spec. A153
 - Units are to conform to the requirements of the Alberta Bridge Branch Specification B190-64 for the Manufacture of Prestressed Concrete Bridge Units.
- ERECTION**
- Lifting force at each hook must be vertical at all times.
 - Girder surface must be level at all times.

Design must be checked!

PRESTRESSED CONCRETE
110'-0" TYPE FC-46" GIRDER

GOVERNMENT OF THE PROVINCE OF ALBERTA
DEPARTMENT OF HIGHWAYS
BRIDGE BRANCH, EDMONTON

FILE NO.	HWY. NO.	DWG. NO.
LOCATION	SCALE	5-984
STREAM	SHEET	OF

DESIGNED BY: Shik Lee
 CHECKED BY: L. Kohlmann
 DATE: March 1965
 DATE: March 1965
 DATE:

NO.	DATE	DESCRIPTION	BY
REVISIONS			