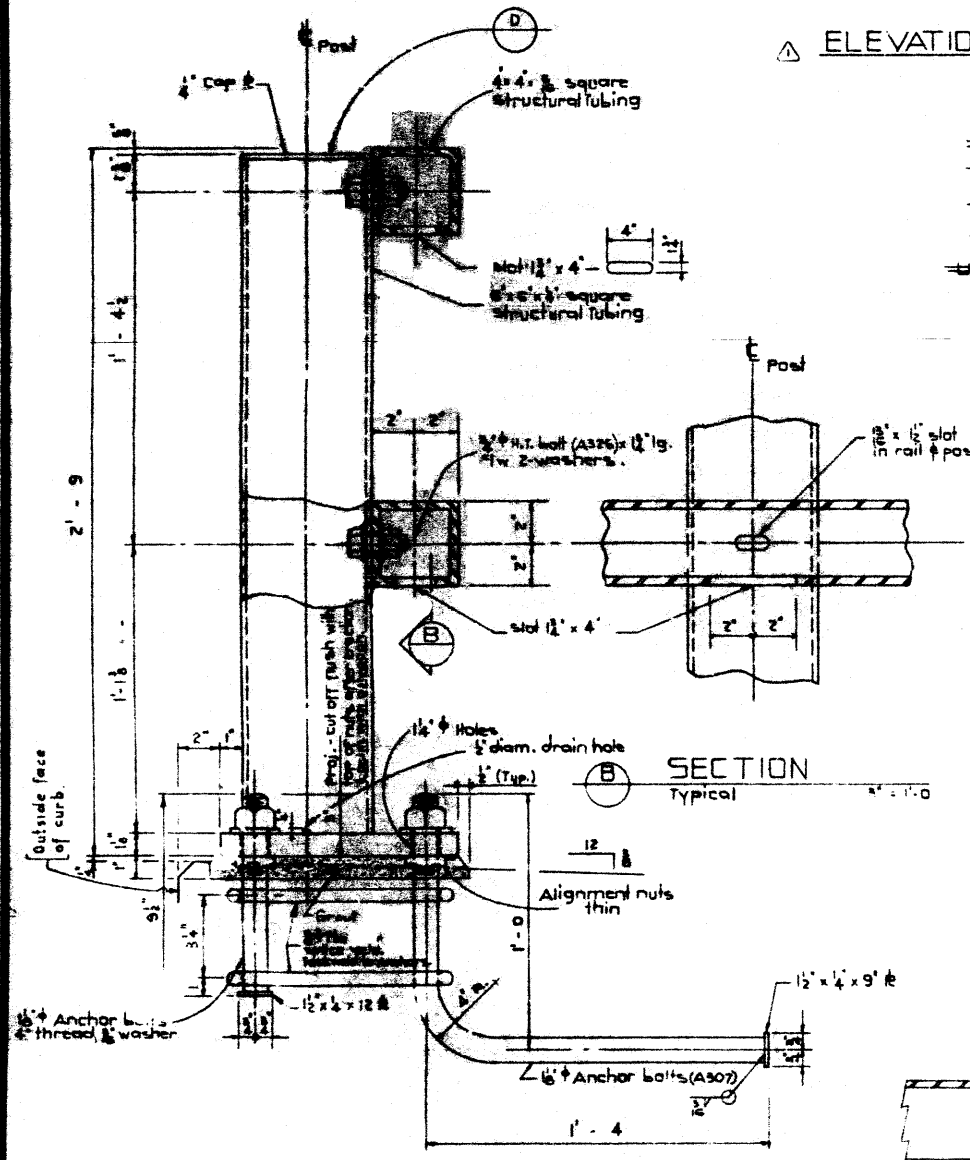


Mount 4 Trilite 0300 amber reflectors or equal on each post using 1/4\"/>

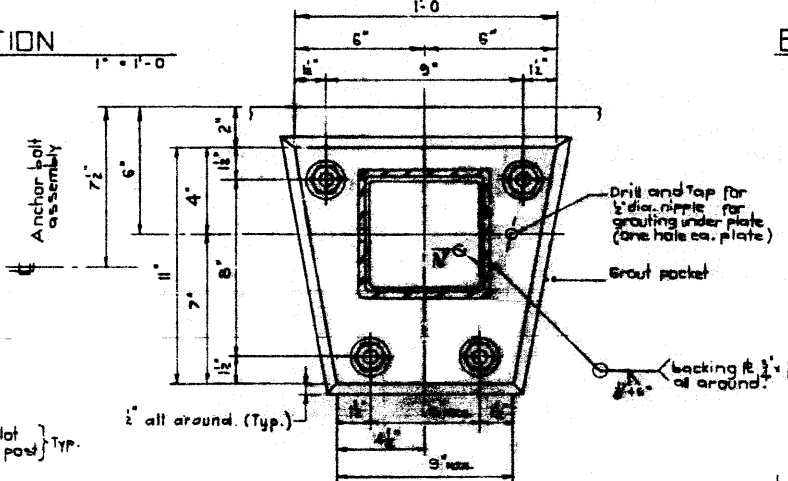
ELEVATION
1\"/>

END POST-TYPE 'I'

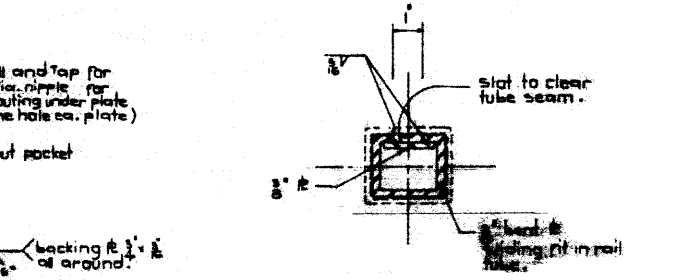
DETAIL-END POST-TYPE 'II'
To be supplied only when specified.



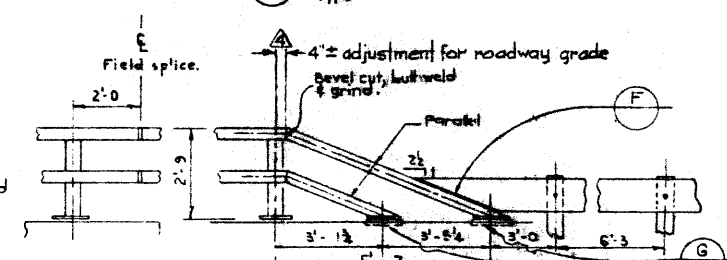
SECTION - ANCHOR BOLT ASSEMBLY
TYPE 'A' as shown.
TYPE 'B' as shown except 2:2 bolts straight.



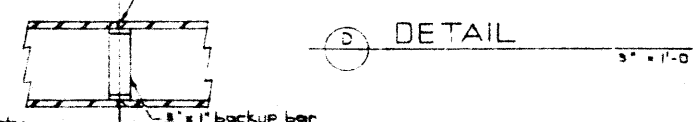
SECTION
Typ.



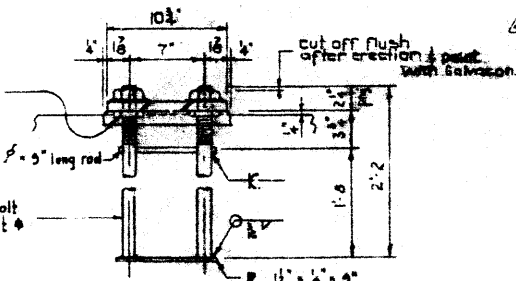
SECTION - TUBE SLEEVE
Typ.



RAIL END ELEVATION N.T.S.



DETAIL



DETAIL - ANCHOR BOLT ASSEMBLY - TYPE 'C'

Note: If rail splices are required they shall conform to the above detail. Location of all splices is to be shown on the shop drawings.

RAIL SPLICE DETAIL

GENERAL NOTES

- FABRICATION**
- Design Standard 1965 A.A.S.H.O. Specification (Traffic Rail).
 - Fabrication is to be in accordance with Bridge Branch Specification B 187-64.
 - All steel shall conform to the current A.S.T.M. Specification A 36 except structural tubing to conform to A.S.T.M. A 500B. Anchor bolts to meet A.S.T.M. A 307.
 - All materials shall be hot dip galvanized after fabrication in accordance with the requirements of the following A.S.T.M. Specifications:
 - Railing and posts A 123
 - Bolts and anchor bolt assemblies A 153
- ERECTION**
- Bridge to be considered level for bridge rail fabrication unless the roadway grade exceeds 1%. Adjustment for roadway grade, if required, is to be made by varying the 4\"/>
 - Tightening of Rail Bolts: Top rail bolts may be tightened from the head inside the post. Bottom rail bolts may be tightened through the 1 3/4\"/>
 - All posts to be vertical.
 - All dimensions are measured parallel to top of curb and along centerline of anchor bolt assemblies.
 - Line and elevation of rail to be set by structure.

SUPERSEDED
BY 5-986-70
APPROVED
SUPERSEDED
BY 5-986-65

2'-9 TUBE TYPE BRIDGERAIL

DEPARTMENT OF THE PUBLIC WORKS
DIVISION OF HIGHWAYS
BRIDGE DIVISION

5-986-65

DESIGNED BY: C. W. Peterson
 DATE: 10-10-53
 CHECKED BY: L. K. Schmitt
 DATE: 10-10-53
 APPROVED BY: [Signature]
 DATE: 10-10-53