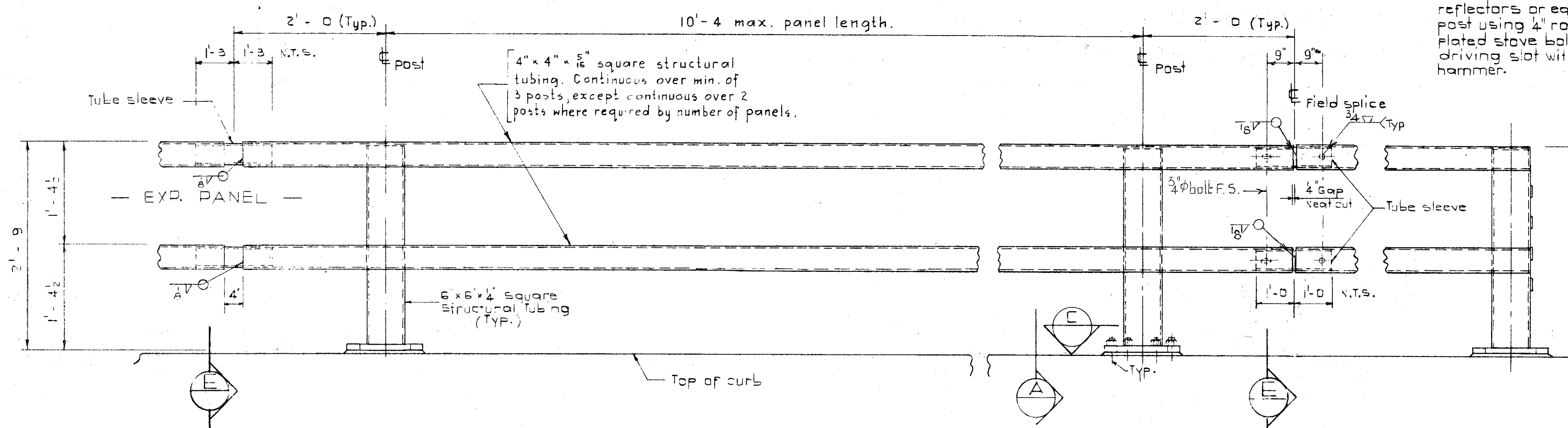


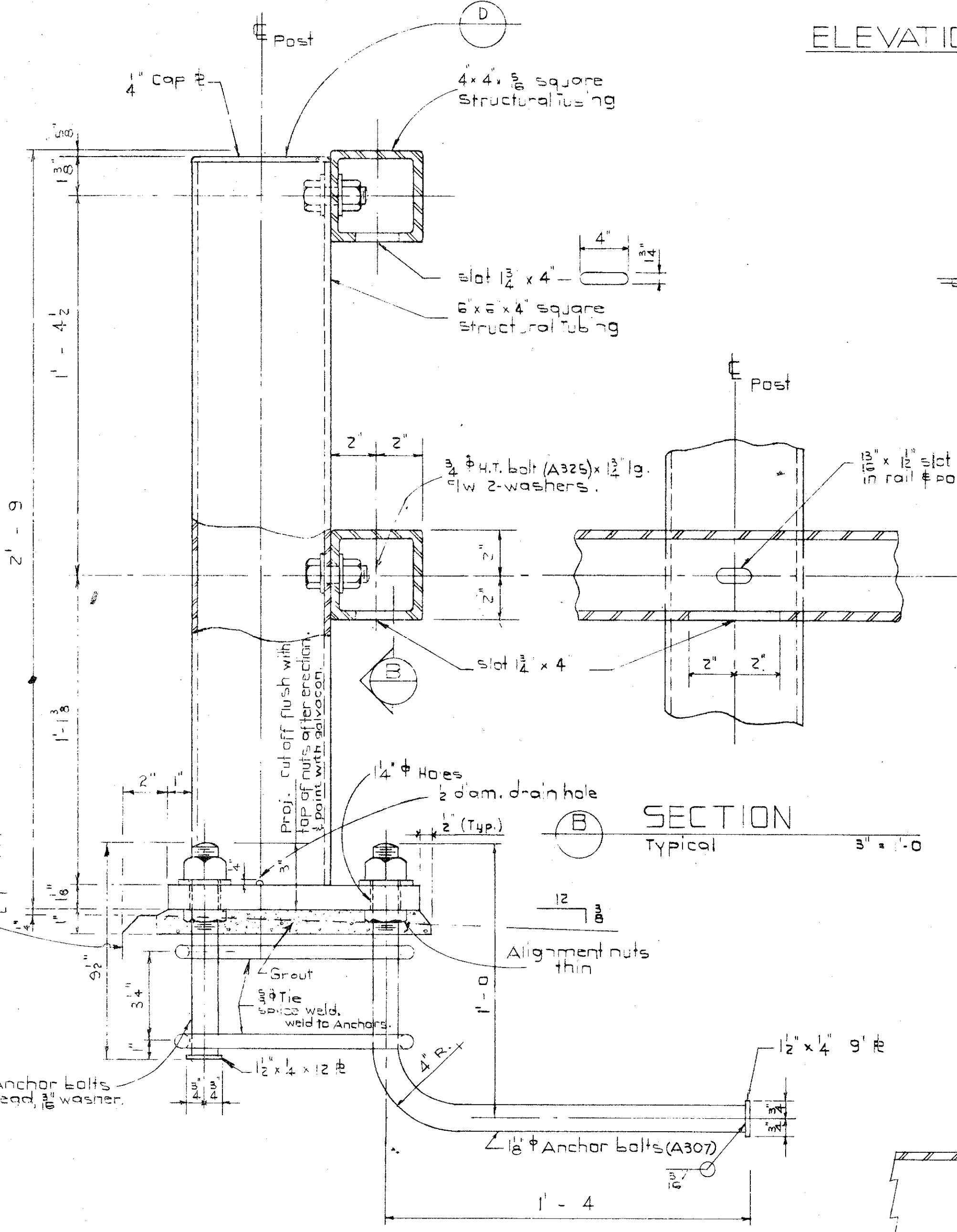
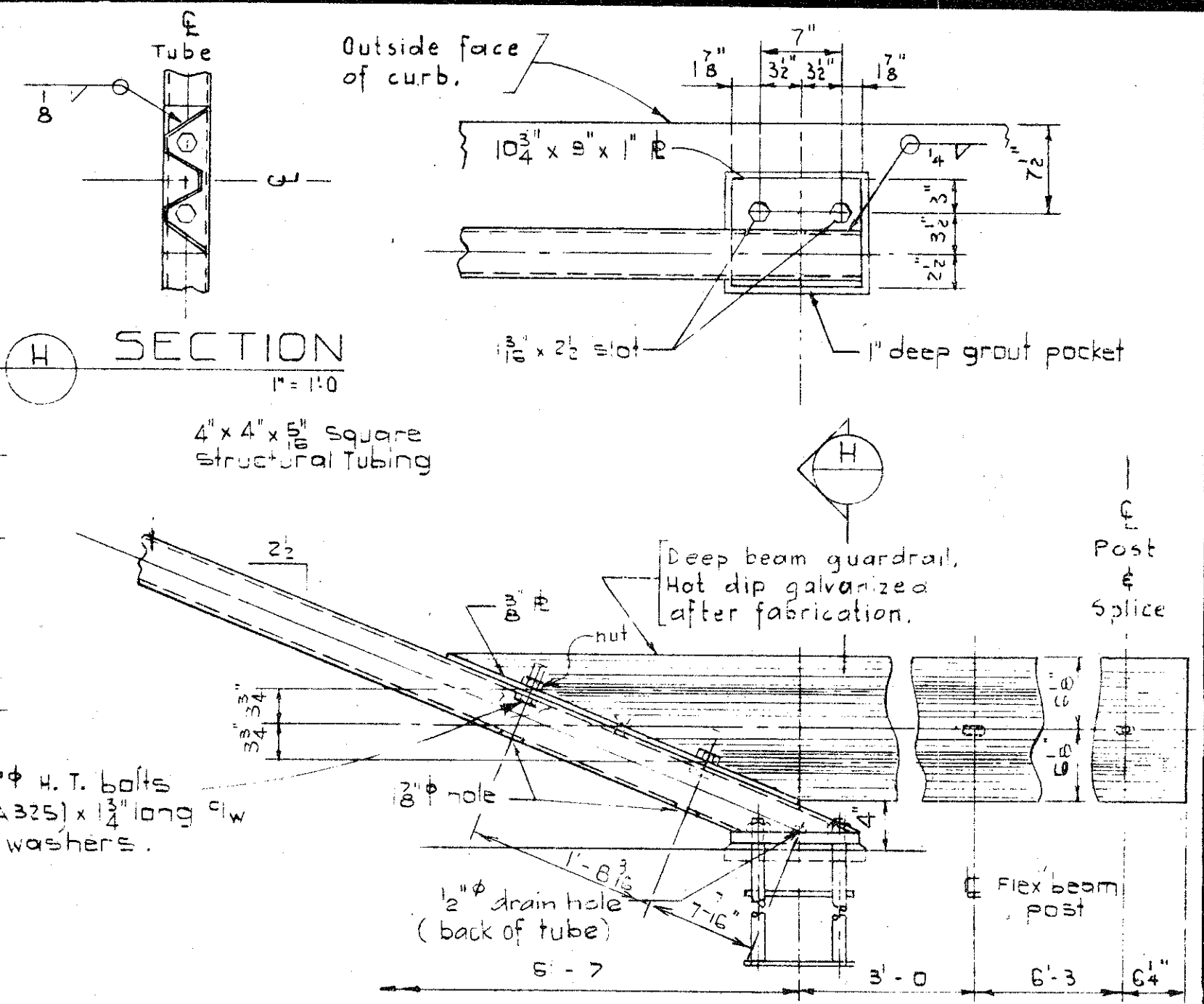
DESIGNED BY: C.W. Festerick  
 DATE: 1952  
 CHECKED BY: J. Schmitt  
 DATE: 1952



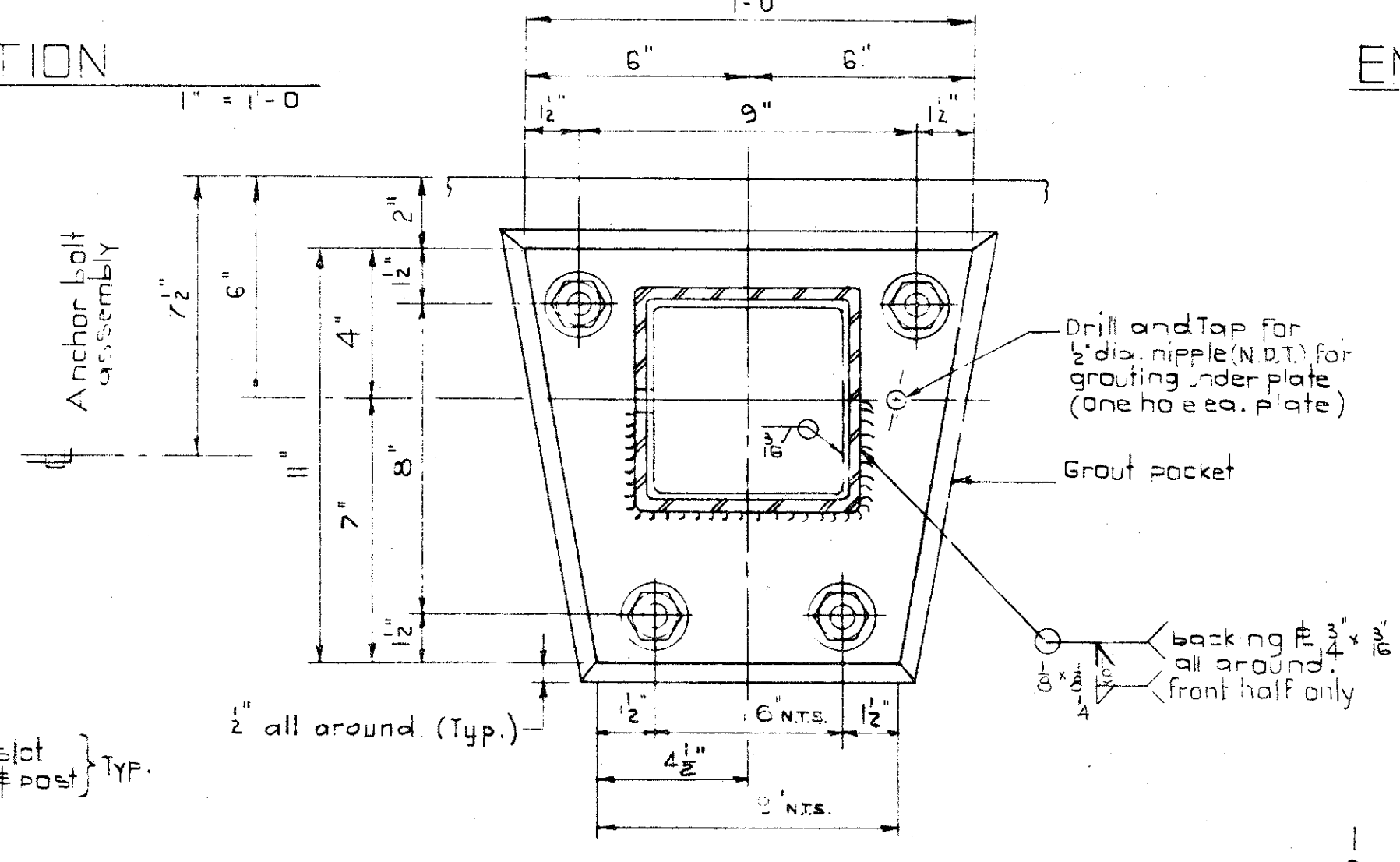
ELEVATION 1" = 1'-0"

END POST - TYPE "I"

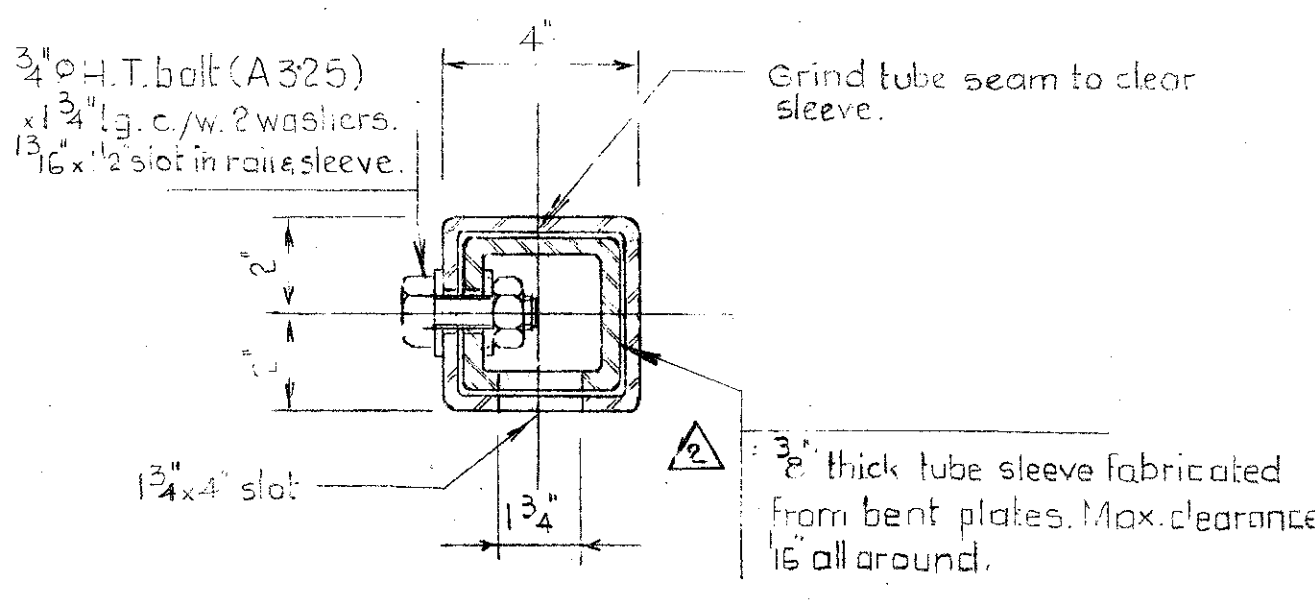
DETAIL - END POST - TYPE "II"  
 To be supplied only when specified.



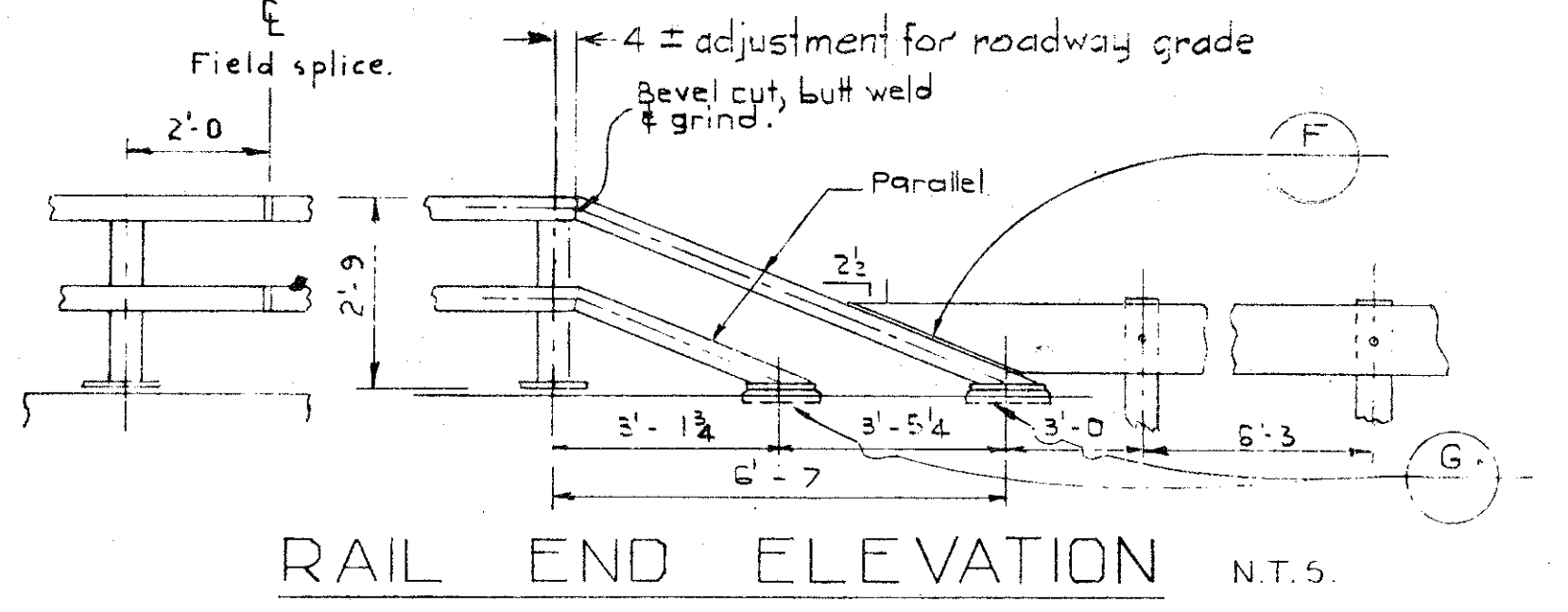
SECTION - ANCHOR BOLT ASSEMBLY  
 TYPE "A" as shown.  
 TYPE "B" as shown except 2-2 bolts straight.



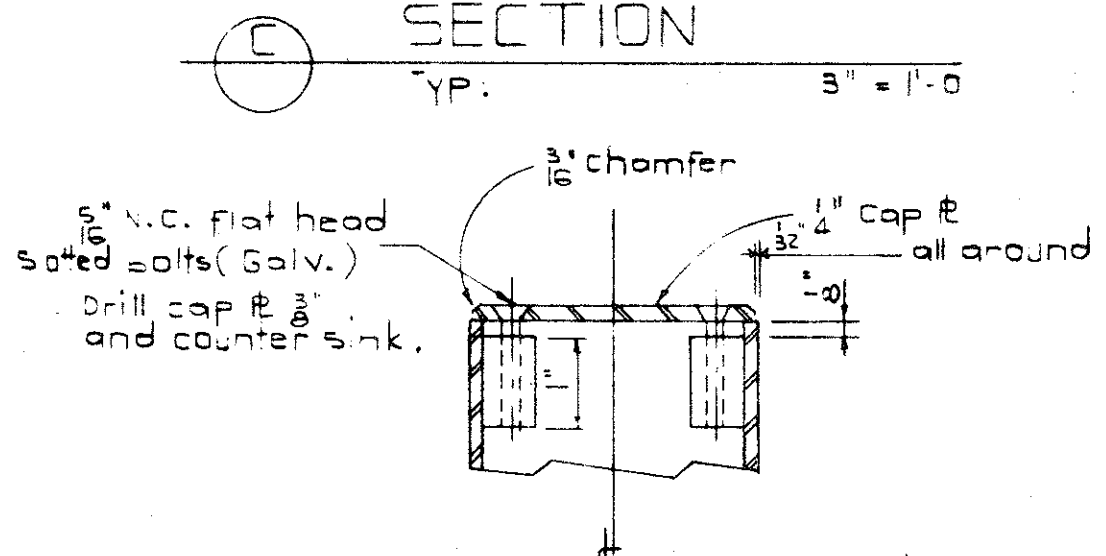
RAIL SPLICE DETAIL 3" = 1'-0"



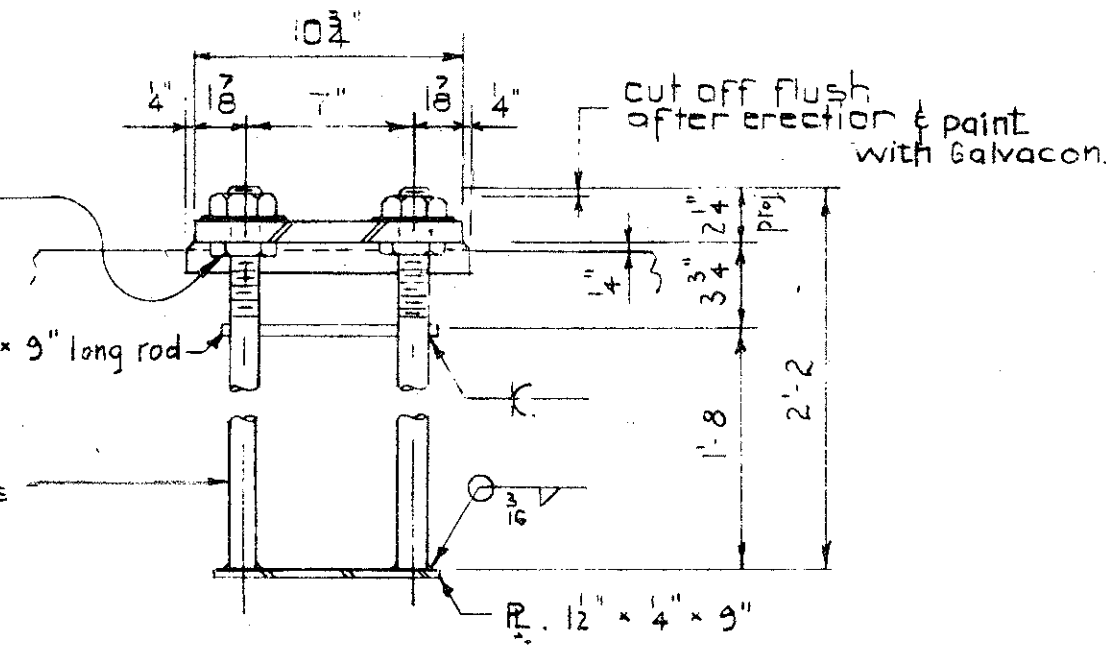
SECTION - TUBE SLEEVE  
 TYP. 3" = 1'-0"



RAIL END ELEVATION N.T.S.



DETAIL 3" = 1'-0"



DETAIL - ANCHOR BOLT ASSEMBLY - TYPE "C"

GENERAL NOTES

- FABRICATION**
- Design Standard 1965 A.A.S.H.O. Specification (Traffic Rail).
  - Fabrication is to be in accordance with Bridge Branch Specification B 187-64.
  - All steel shall conform to C.S.A. G 40.12 or A.S.T.M. - A 36 except structural tubing to conform to A.S.T.M. A 5008. Anchor bolts to meet A.S.T.M. A 307.
  - All materials shall be hot dip galvanized after fabrication in accordance with the requirements of the following A.S.T.M. Specifications:  
 Railing end posts A 123  
 Bolts and anchor bolt assemblies A 153
  - Bridge to be considered level for bridge rail fabrication unless the roadway grade exceeds 1%. Adjustment for roadway grade, if required, is to be made by varying the 4" dimension as shown on "Rail End Elevation".  
 Post base plate to be placed on bevel if roadway grade exceeds 2%.
- ERECTION**
- Tightening of Rail Bolts:  
 Top rail bolts may be tightened from the head inside the post. Bottom rail bolts may be tightened through the 1 3/4" x 4" slot under the rail, using a 15° angled or offset box end wrench suitably bent and extended to achieve the required 1/2 turn of the nut from snug tight.
  - All posts to be vertical.
  - All dimensions are measured parallel to top of curb and along centerline of anchor bolt assemblies.
  - Line and elevation of rail to be set by instrument.

**SUPERSEDED**  
 APPROVED  
 By 5-986-70A

2'-9 TUBE TYPE BRIDGERAIL

GOVERNMENT OF THE PROVINCE OF ALBERTA  
 DEPARTMENT OF HIGHWAYS  
 BRIDGE BRANCH, EDMONTON

FILE NO. \_\_\_\_\_ HWY. NO. \_\_\_\_\_ DWG. NO. 5-986-70  
 LOCATION \_\_\_\_\_ SCALE \_\_\_\_\_ SHEET OF \_\_\_\_\_

NO.	DATE	DESCRIPTION	BY
1	Apr. 27/70	Corrected from	R.W.L.
2	Jan. 12/70	Redrawn	G.D.A.

REVISIONS