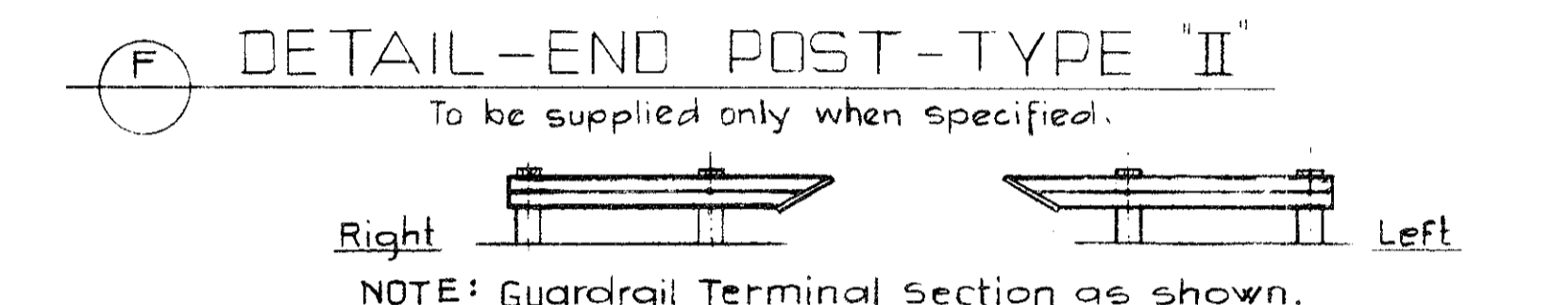
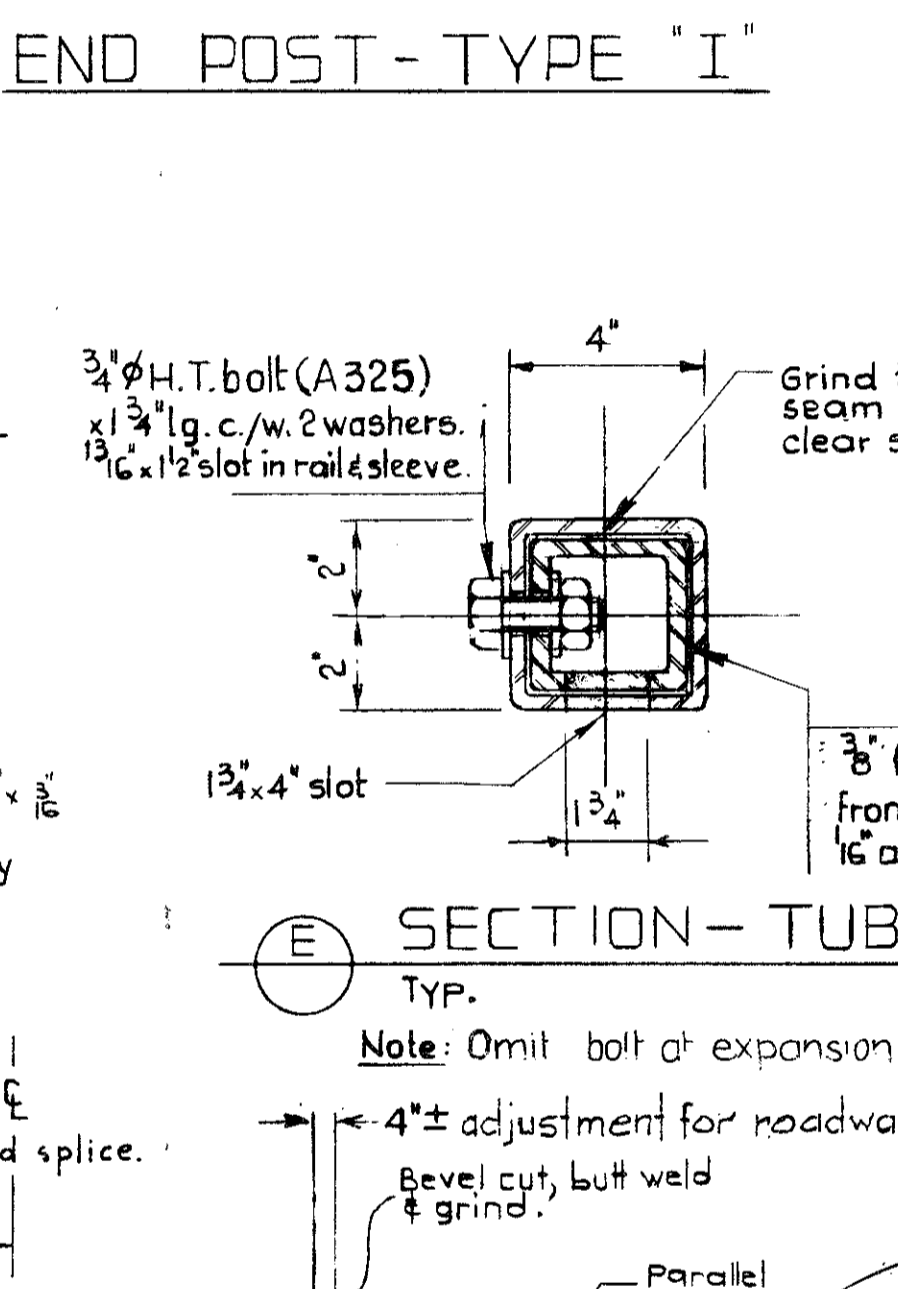
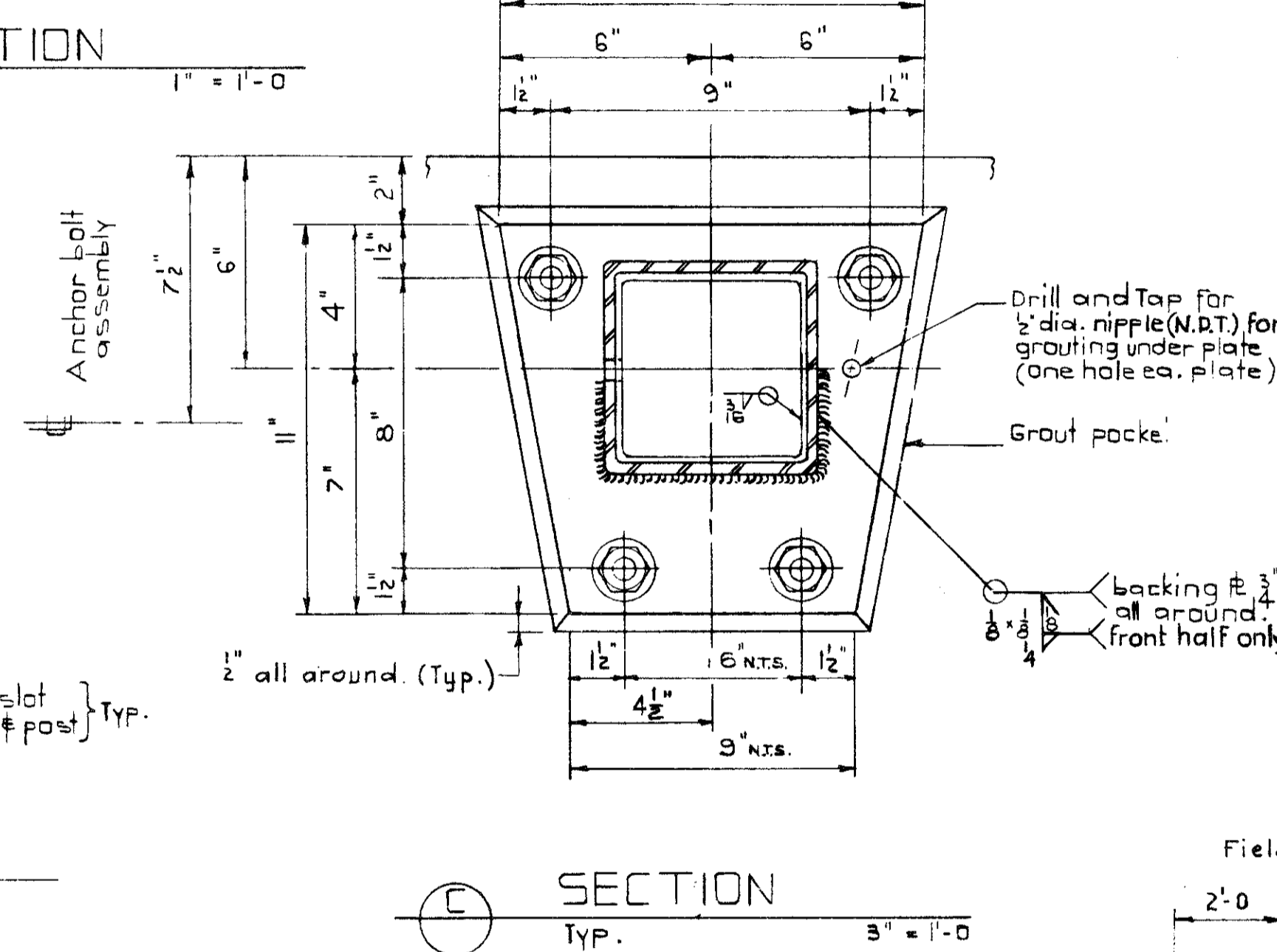
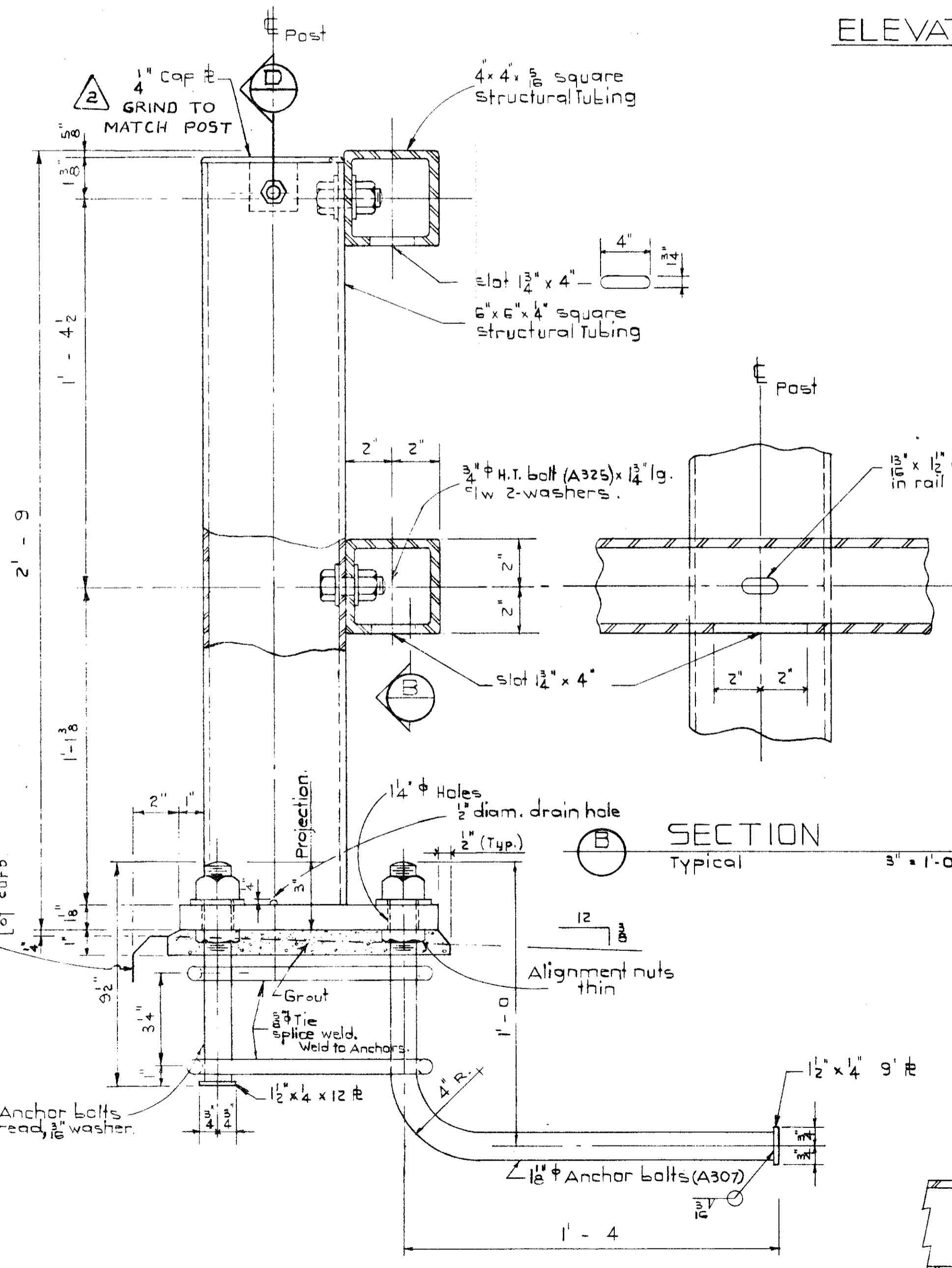
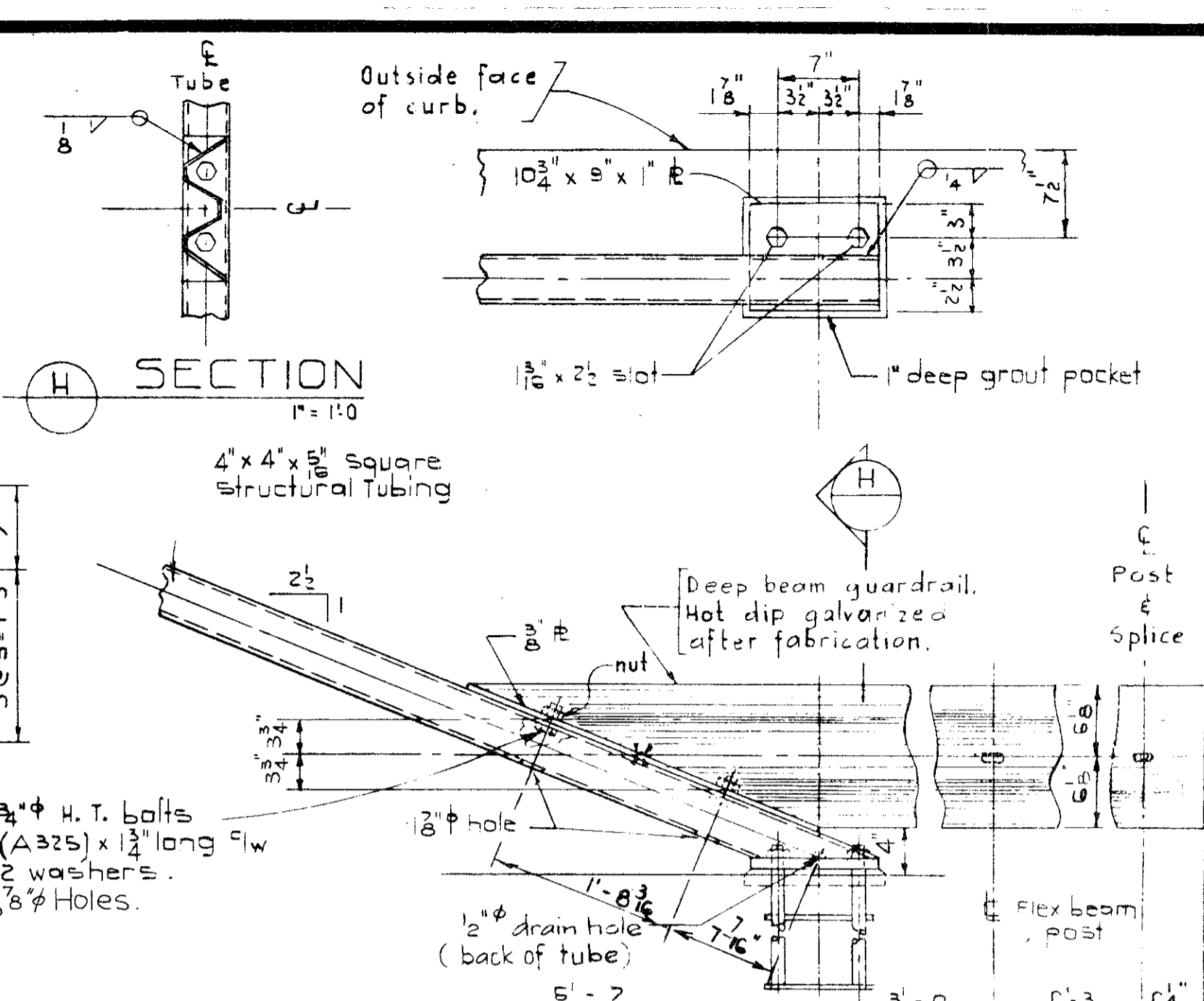
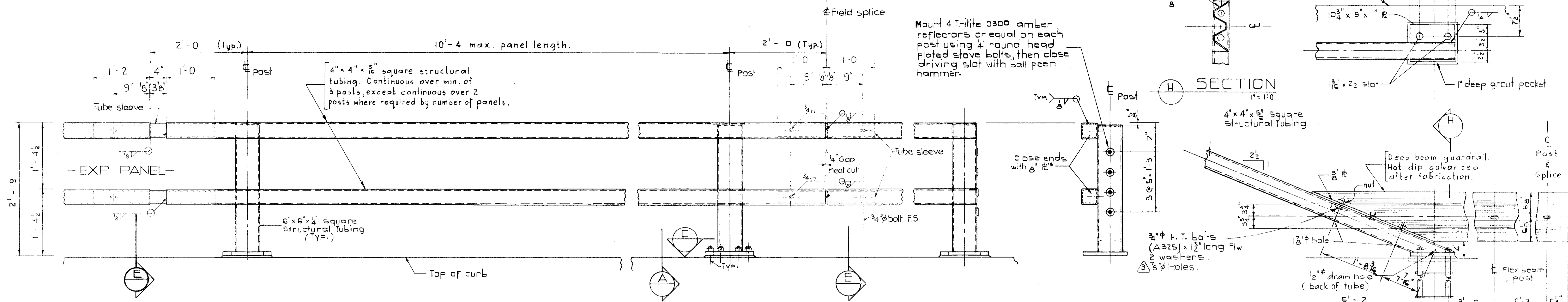
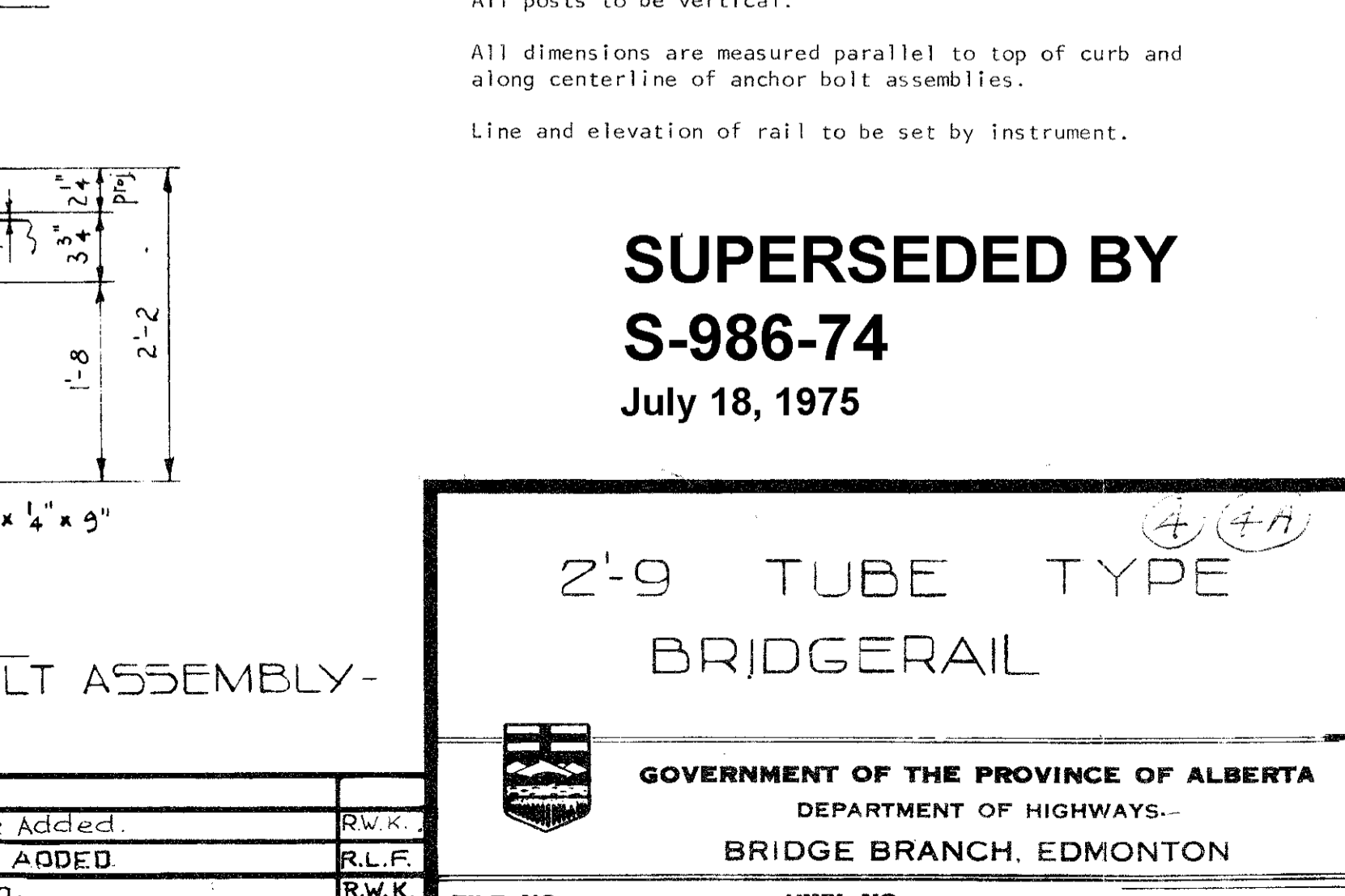
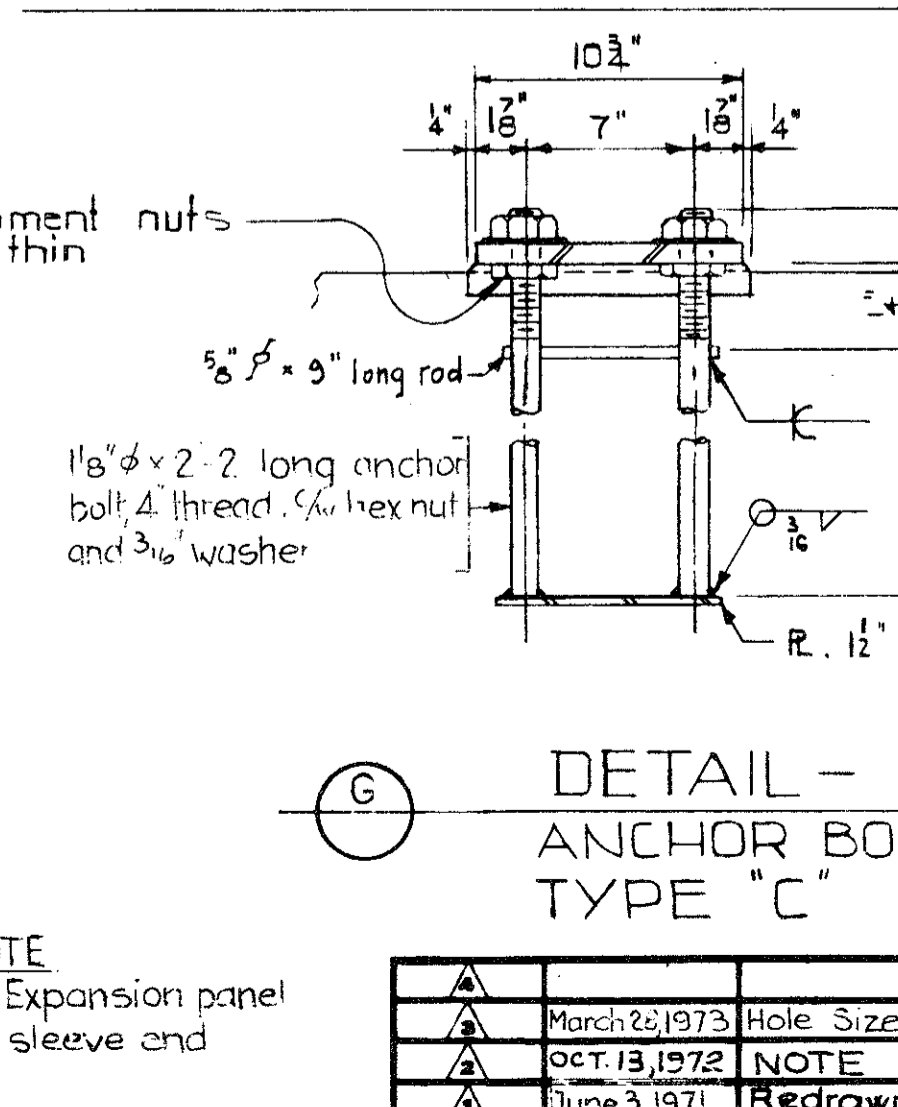
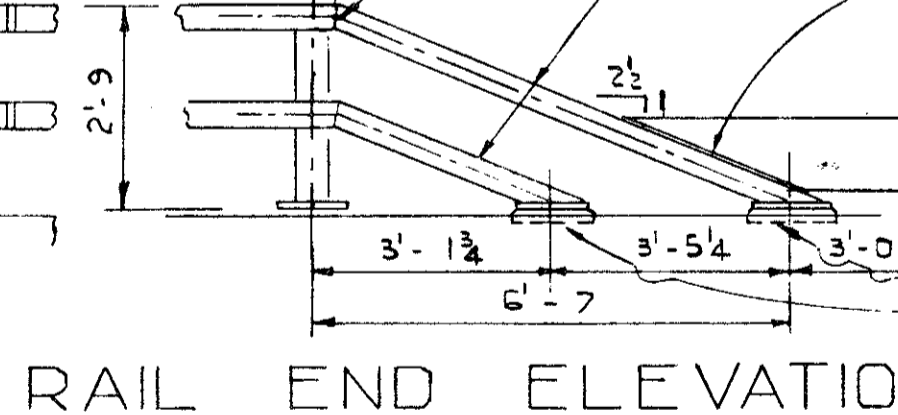
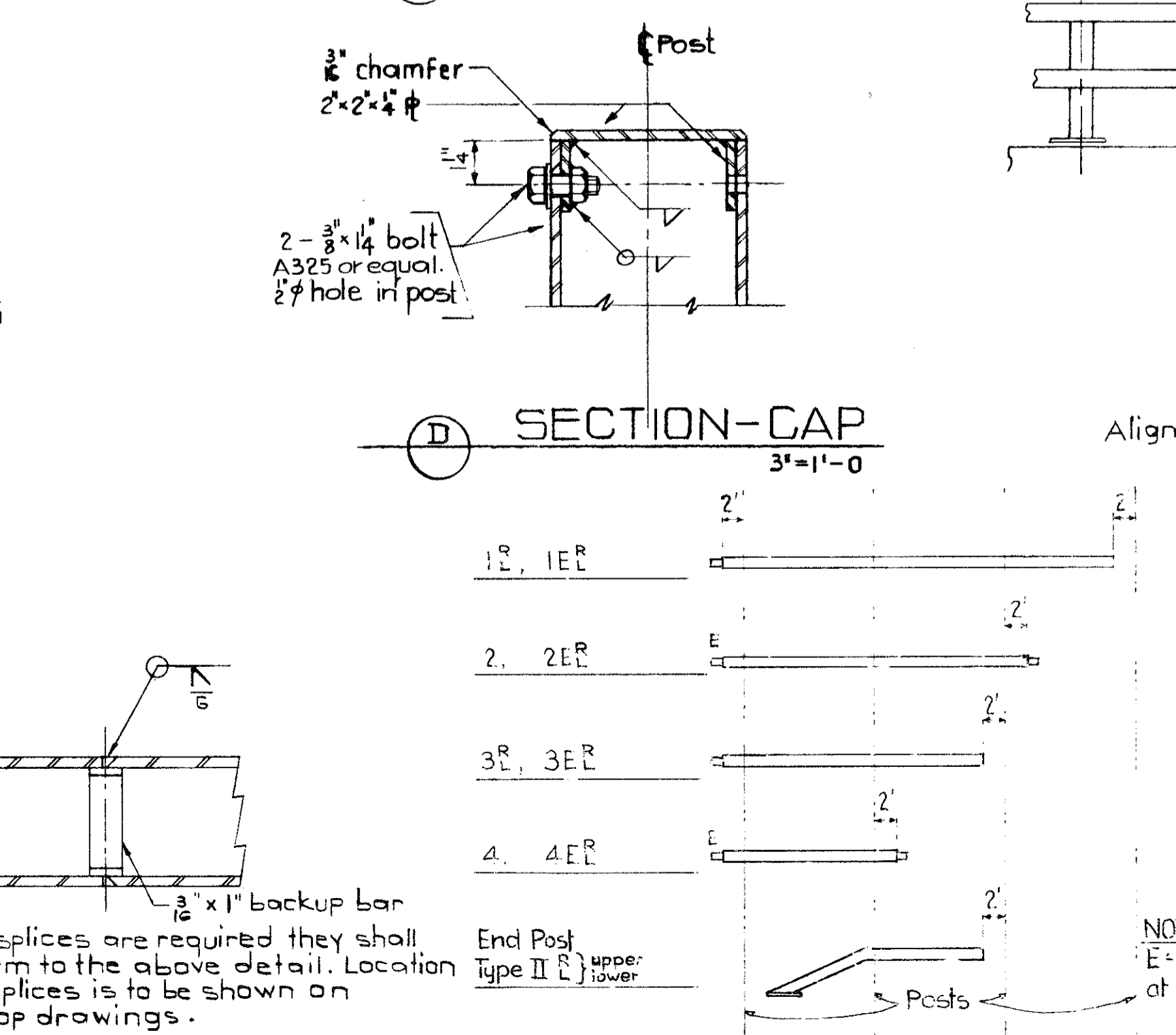


DESIGNED BY C.W. Peterson DATE 19 53
 CHECKED BY DATE 19 53



SECTION - ANCHOR BOLT ASSEMBLY
 TYPE "A" as shown.
 TYPE "B" as shown except 2-2 bolts straight.



TUBE SECTION TYPES
 N.T.S.

GENERAL NOTES

FABRICATION
 Design Standard 1965 A.A.S.H.O. Specification (Traffic Rail).
 Fabrication is to be in accordance with Bridge Branch Specification B 186-64.

All steel shall conform to C.S.A. G40.12 or A.S.T.M. - A 36 except structural tubing to conform to A.S.T.M. A 500B. Anchor bolts to meet A.S.T.M. A 307.

All materials shall be hot dip galvanized after fabrication in accordance with the requirements of the following A.S.T.M. Specifications:
 Railing and posts A 123
 Bolts and anchor bolt assemblies A 153

Bridge to be considered level for bridgerail fabrication unless the roadway grade exceeds 1%. Adjustment for roadway grade, if required, is to be made by varying the 4" dimension as shown on "Rail End Elevation".

Post base plate to be placed on bevel if roadway grade exceeds 2%.

Tube sections shall be fabricated in the configurations shown in "Tube Section Types".

ERECTION

Tightening of Rail Bolts:
 Top rail bolts may be tightened from the head inside the post. Bottom rail bolts may be tightened through the 1 3/4" x 4" slot under the rail, using a 15" angled or offset box end wrench suitably bent and extended to achieve the required 1/2 turn of the nut from snug tight.

All posts to be vertical.

All dimensions are measured parallel to top of curb and along centerline of anchor bolt assemblies.

Line and elevation of rail to be set by instrument.

SUPERSEDED BY
S-986-74
 July 18, 1975

2'-9" TUBE TYPE BRIDGERAIL

GOVERNMENT OF THE PROVINCE OF ALBERTA
 DEPARTMENT OF HIGHWAYS
 BRIDGE BRANCH, EDMONTON

NO.	DATE	DESCRIPTION	BY
1	March 20, 1973	Hole Size Added.	R.W.K.
2	OCT. 13, 1972	NOTE ADDED	R.L.F.
3	June 3, 1971	Redrawn.	R.W.K.

FILE NO. _____ HWY. NO. _____ DWG. NO. _____
 LOCATION _____ SCALE _____ SHEET _____
 STREAM _____ OF **S-986-71**