

GENERAL NOTES :

DESIGN DATA

Built-up roofing	6	PSF.
1/2" Rigid insulation	3	
3/4" Plywood deck	2	
Ceiling	5	
wt. of joists	4	
Snow	20	PSF.
Total:	44	PSF.
Pressure on soil	1000	PSF.

All concrete to be 4000 psi.

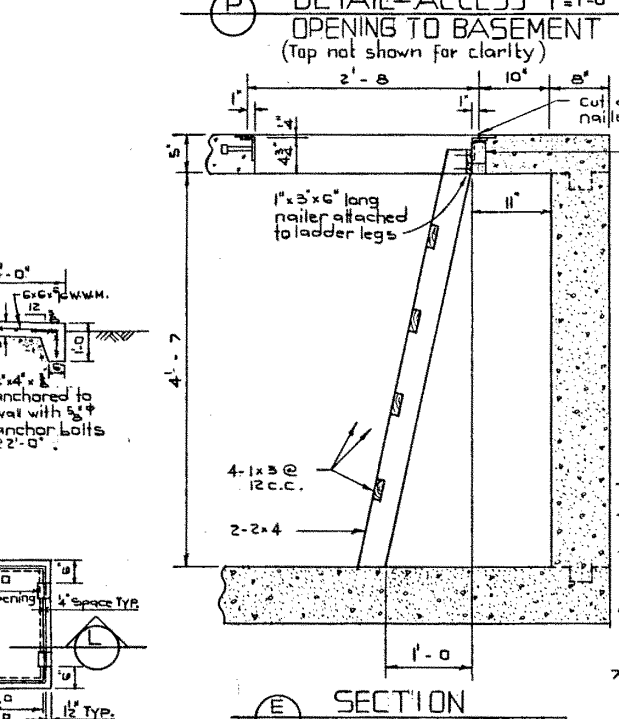
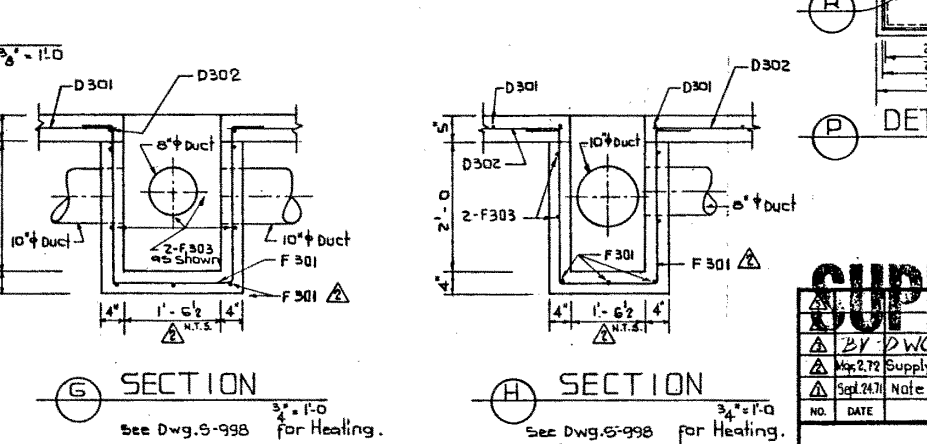
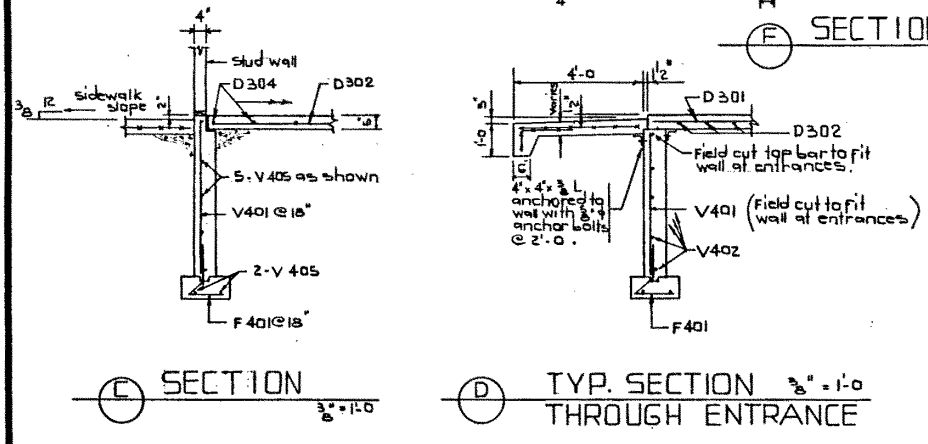
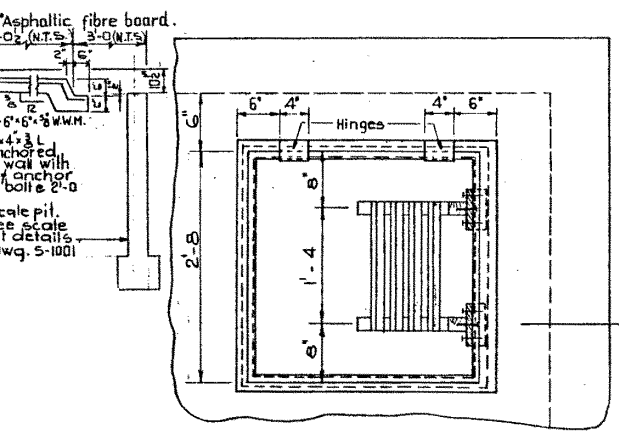
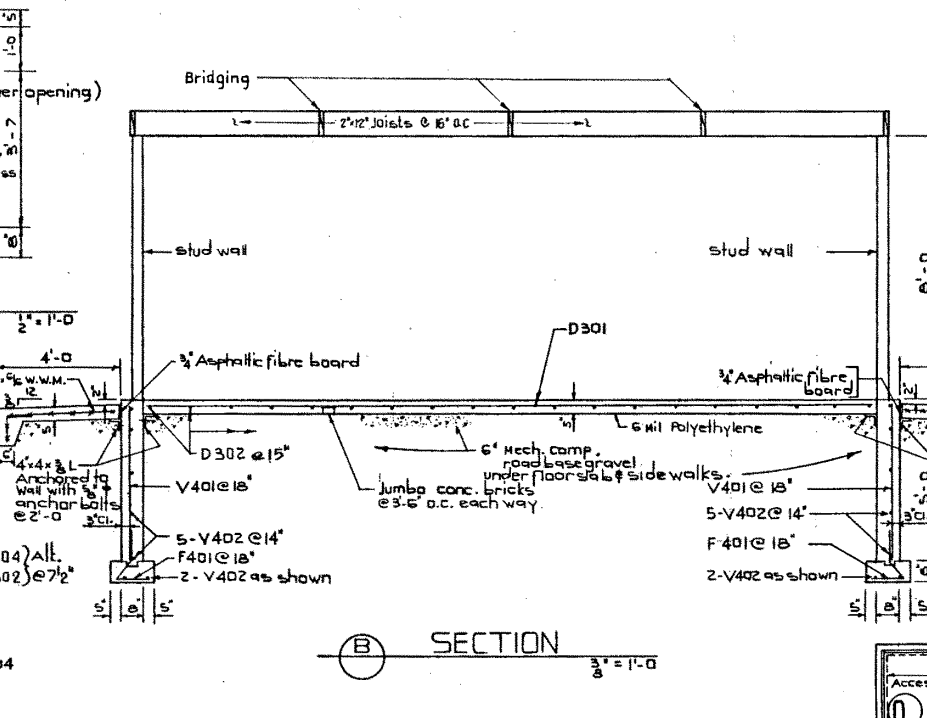
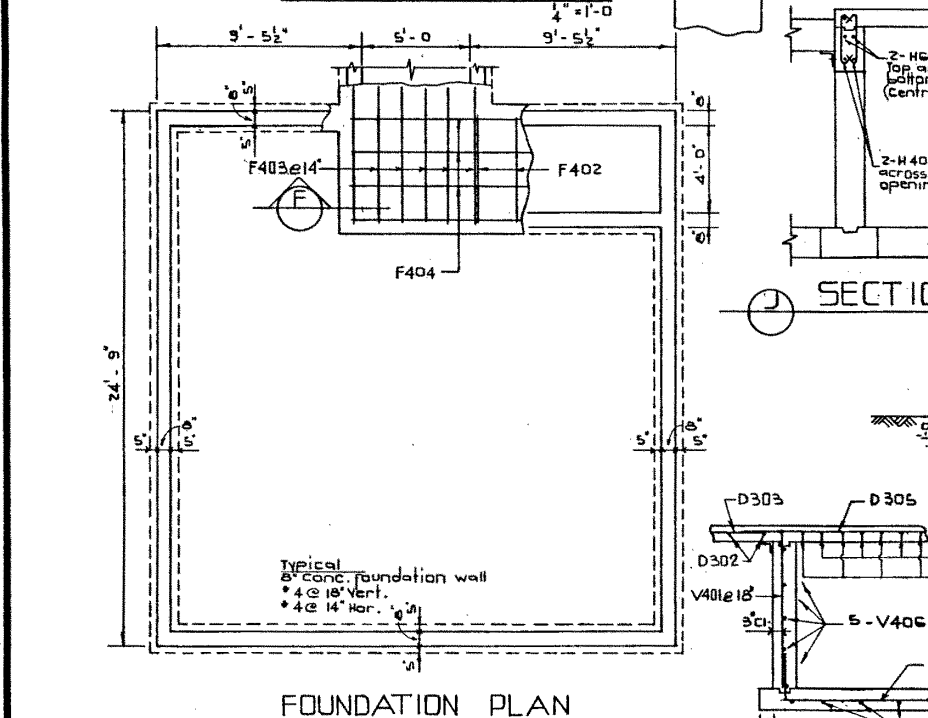
All exposed corners are to have a 3/4" chamfer or fillet.

All exposed concrete surfaces shall be formed with oiled plywood or approved equivalent.

All reinforcing steel is to have 2" clear cover unless otherwise noted.

Floor to be given a Class 3 - steel Trowel Finish. Both sides of walls to be given a Class 1 - Ordinary Surface Finish.

See Dwg. # S-1049 for "BAR LISTS"



SUPERSEDED

Plug weld & grind smooth

7" x 2" x 4" @

3/4" Hole

5/8" x 3" bolt (TYP)

Grind finger grips as shown

SECTION M Full size

SUPERSEDED

MAR 2 1972 APPROVED

PROVINCE OF ALBERTA
DEPARTMENT OF HIGHWAYS AND TRANSPORT
BRIDGE BRANCH

**WEIGH SCALE STATION
SCALE HOUSE FOUNDATION
PLAN AND SECTIONS**

CHIEF BRIDGE ENGINEER

NO.	DATE	DESCRIPTION	BY
1			
2			
3			
4			
5			
6			
7			
8			
9			
10			

DESIGNED	DRAWN BY	DATE	CHECKED BY	DATE	STREAM	LOCATION	HWY. NO.	SCALE SHOWN	FILE NO.	SHEET	DWG. NO.
	L. Kohlman	July 1971	J.R. Channon	Aug. 71					3235	OF	S-994-71