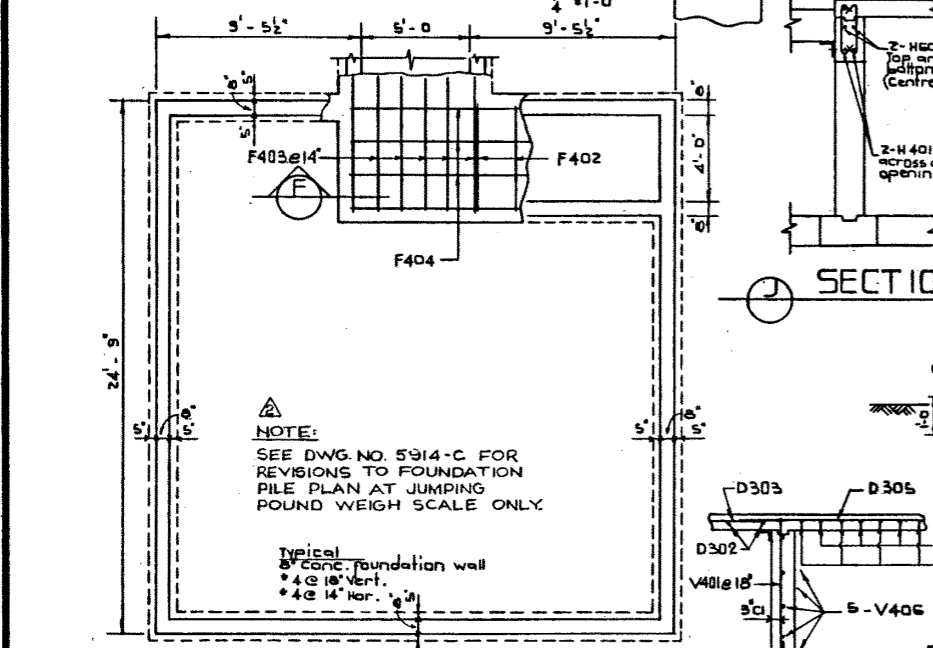
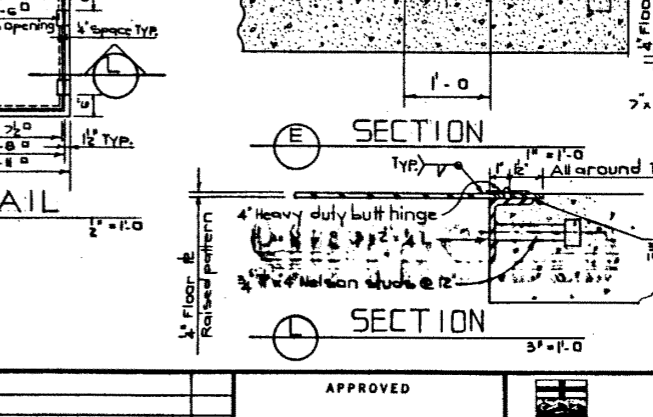
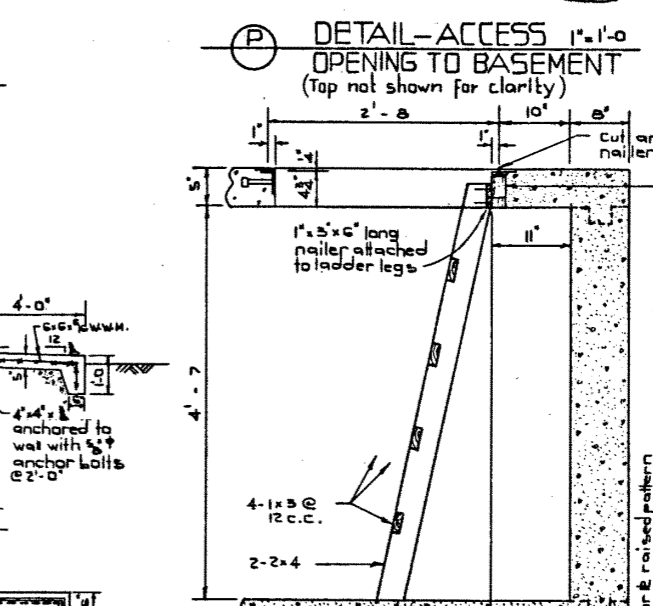
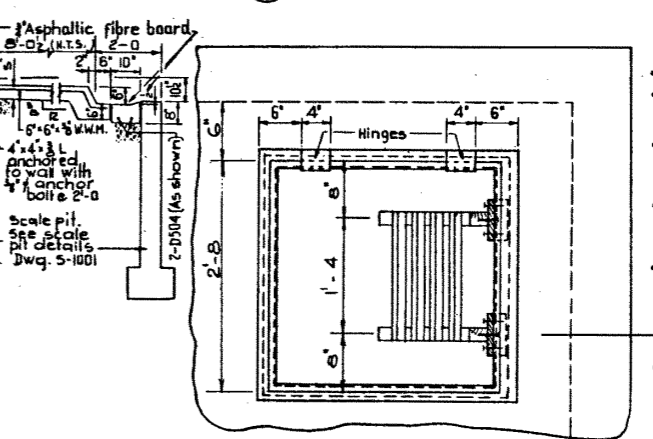
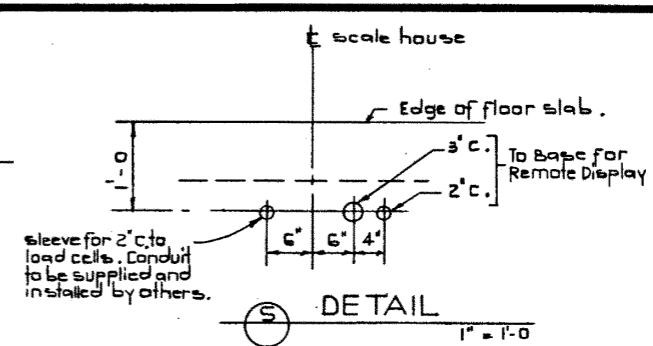
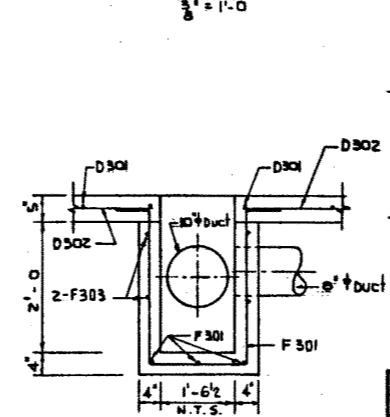
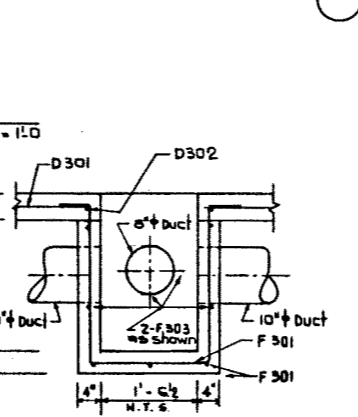
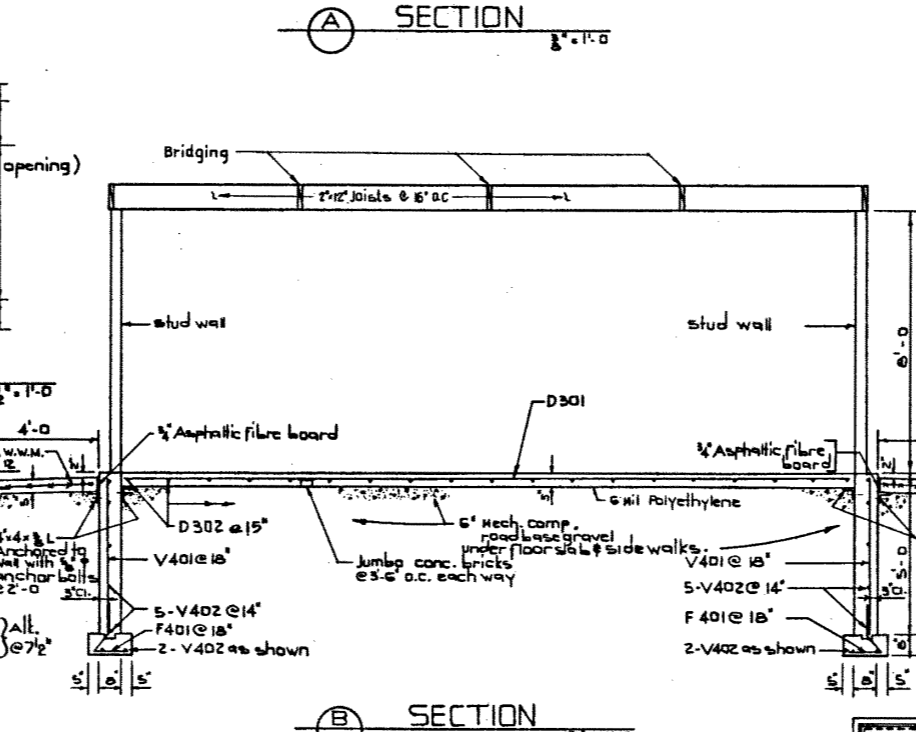
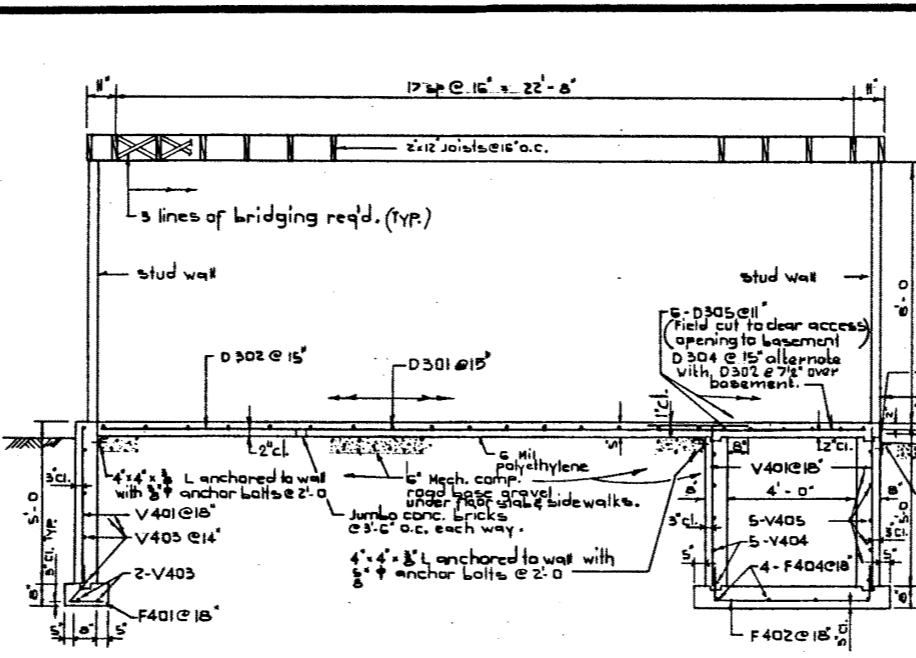
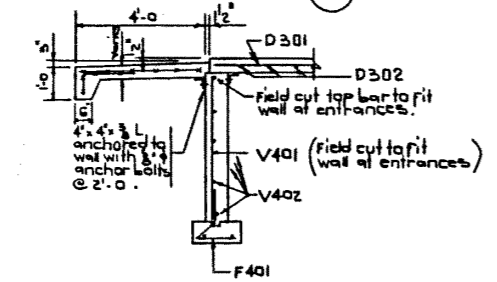
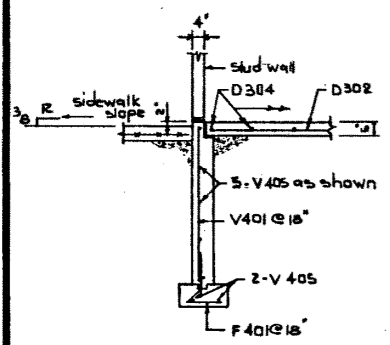


MAIN FLOOR PLAN



FOUNDATION PLAN



GENERAL NOTES:

DESIGN DATA

Built-up roofing	6	PSF.
1/2" Rigid insulation	3	
3/4" Plywood deck	2	
Ceiling	5	
wt. of joists	4	
Snow	20	PSF.
Total:	44	PSF.
Pressure on soil	1000	PSF.

- All concrete to be 4000 psi.
- All exposed corners are to have a 3/4" chamfer or fillet.
- All exposed concrete surfaces shall be formed with oiled plywood or approved equivalent.
- All reinforcing steel is to have 2" clear cover unless otherwise noted.
- Floor to be given a Class 3 - steel Trowel Finish. Both sides of walls to be given a Class 1 - Ordinary Surface Finish.
- See Dwg. S-1049 for "BAR LISTS"

**SUPERSEDED**

JUN 27 1971

BRIND FINGER GRIPS AS SHOWN

APPROVED		PROVINCE OF ALBERTA DEPARTMENT OF HIGHWAYS AND TRANSPORT BRIDGE BRANCH	
TAUGHT FOUNDATION NOTE ADDED MAR 27 72 Revised and redrawn.		WEIGH SCALE STATION SCALE HOUSE FOUNDATION PLAN AND SECTIONS	
DESIGNED		DRAWN BY L. Kohman	
DATE July 1971		CHECKED BY J.R. Channon	
DATE Aug. 71		STREAM	
LOCATION		HWY. NO.	
SCALE shown		FILE NO. 3235	
SHEET 4 of 15		DWC NO. S-994-72	

Taken from D.P.W. Dwg. 16