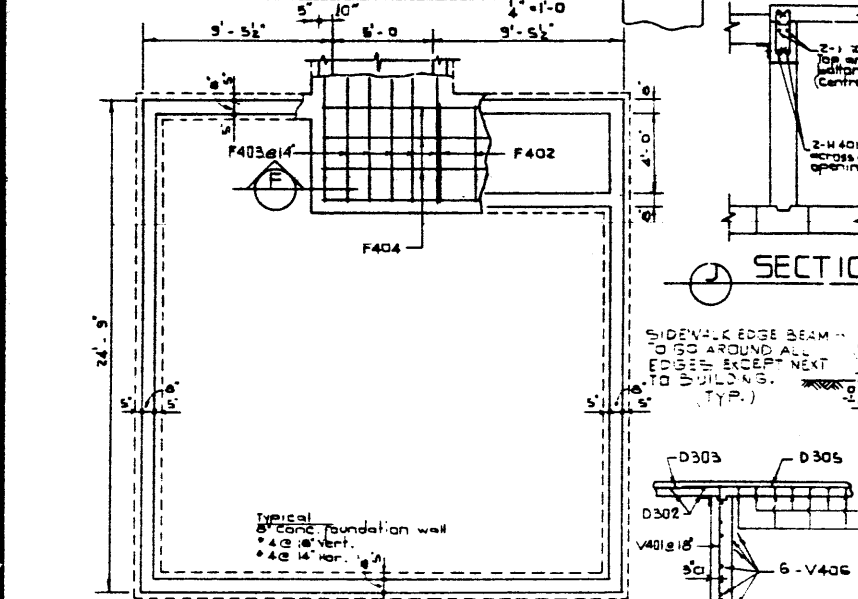
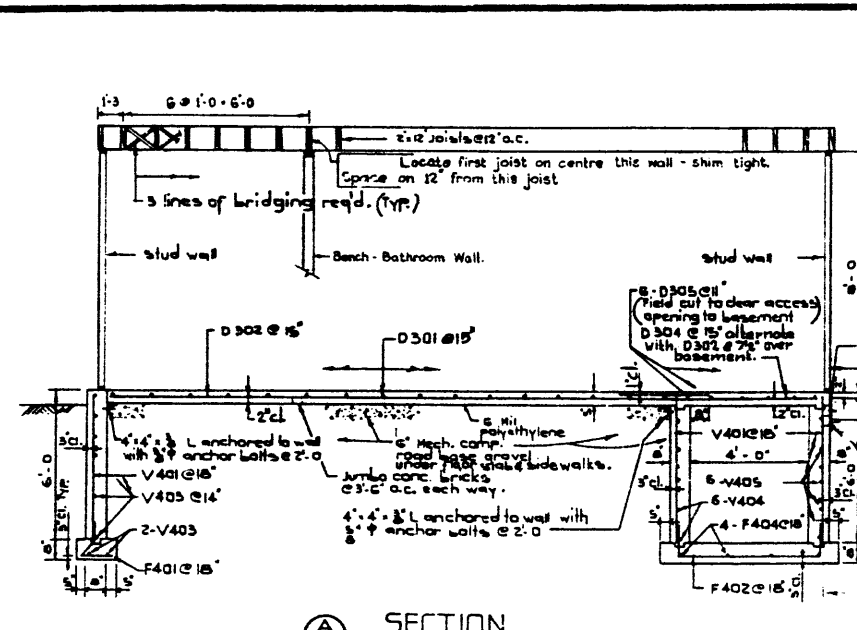


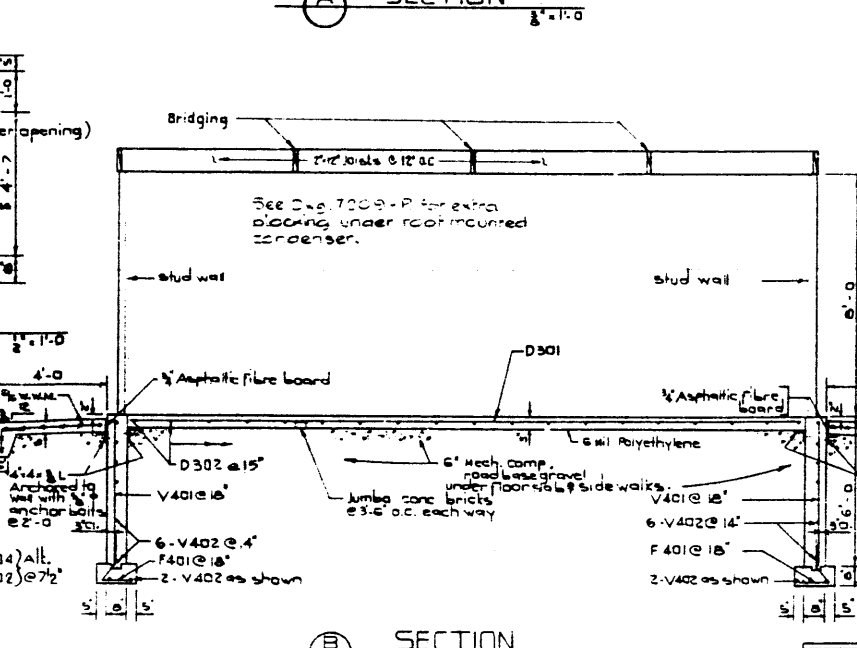
MAIN FLOOR PLAN



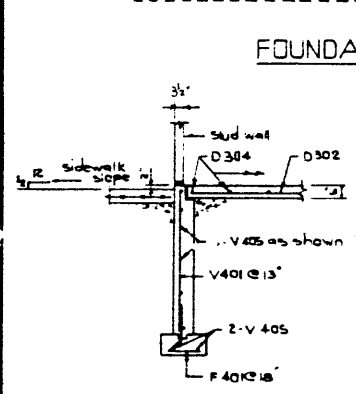
FOUNDATION PLAN



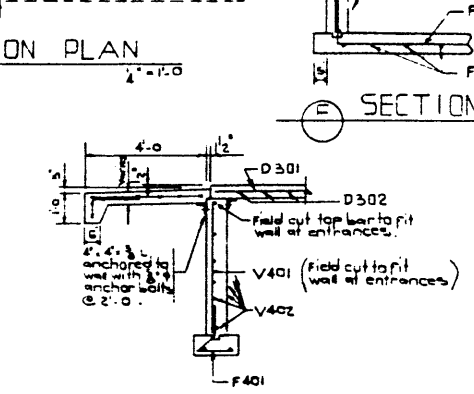
SECTION A-A



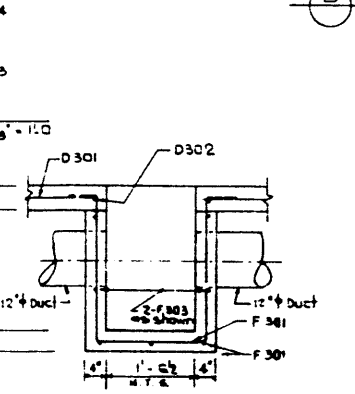
SECTION B-B



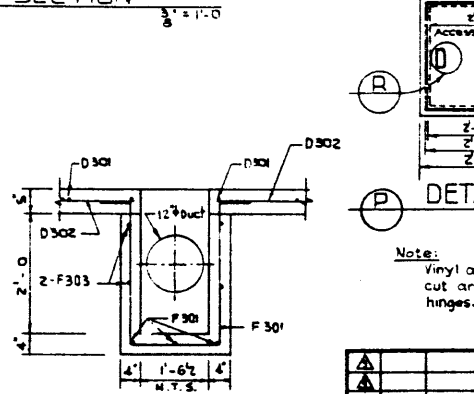
SECTION C-C



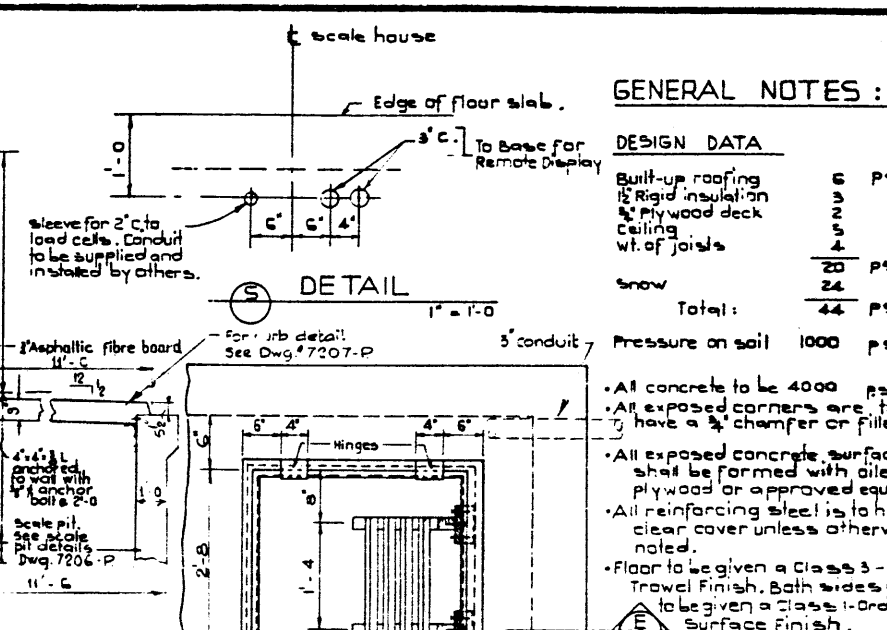
TYP. SECTION THROUGH ENTRANCE



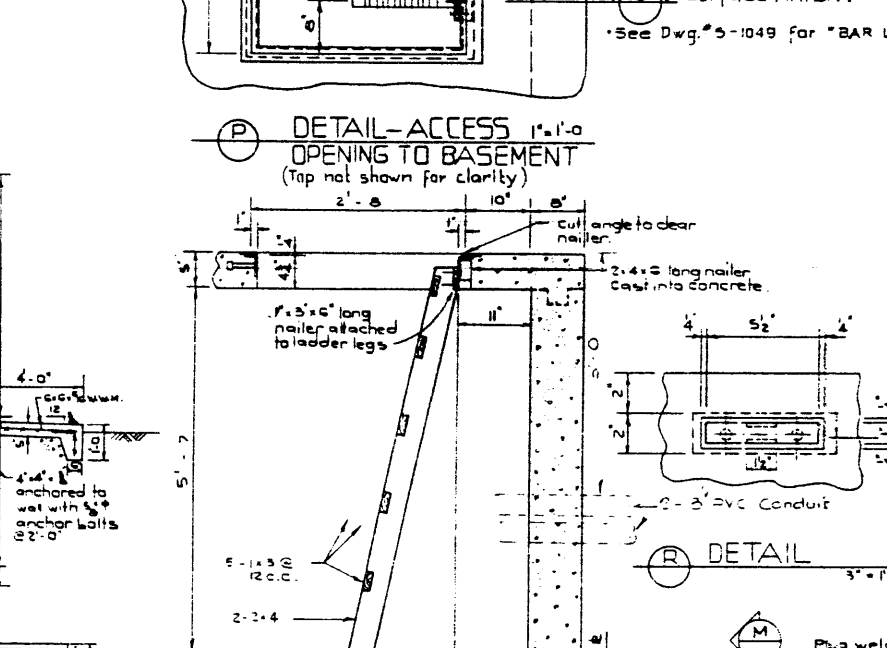
SECTION E-E



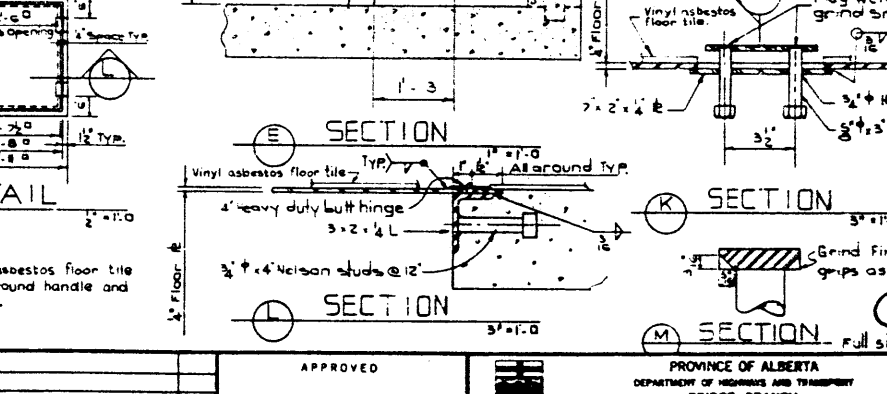
SECTION F-F



DETAIL S



DETAIL P



DETAIL R



DETAIL E

- GENERAL NOTES:**
- DESIGN DATA**
- |                       |      |      |
|-----------------------|------|------|
| Built-up roofing      | 6    | PSF. |
| 1/2" Rigid insulation | 3    | PSF. |
| 1/2" Plywood deck     | 2    | PSF. |
| Ceiling               | 5    | PSF. |
| wt. of joists         | 4    | PSF. |
| Snow                  | 20   | PSF. |
| Total:                | 44   | PSF. |
| Pressure on soil      | 1000 | PSF. |
- All concrete to be 4000 psi.
  - All exposed corners are to have a 3/4" chamfer or fillet.
  - All exposed concrete surfaces shall be formed with oiled plywood or approved equivalent.
  - All reinforcing steel is to have 2" clear cover unless otherwise noted.
  - Floor to be given a Class 3 - steel Trowel Finish. Both sides of walls to be given a Class 1 - Ordinary Surface Finish.
  - See Dwg. # 5-1049 for "BAR LISTS"

APPROVED		PROVINCE OF ALBERTA DEPARTMENT OF HIGHWAYS AND TRANSPORT BRIDGE BRANCH	
T. J. REVISOR, FROM 5-994-76 DWG		WEIGH SCALE STATION SCALE HOUSE FOUNDATION PLAN AND SECTIONS	
REVISIONS		DATE	
NO.	DATE	DESCRIPTION	BY
1	7/1/76	REVISED FROM 5-994-76 DWG	J.P.C.
2	7/1/76	REVISED AND REDRAWN	J.P.C.
DESIGNED	DRAWN BY	DATE	CHECKED BY
7/1/76	J.P.C.	7/1/76	J.P.C.
STREAM	LOCATION	BRIDGE NO.	SCALE
			shown
FILE NO.	SHEET	DRAWN BY	
3235	5	S-994-76	

CONCRETE QUANTITY ESTIMATE - HOUSE

Taken from D.P.W. Dwg. #