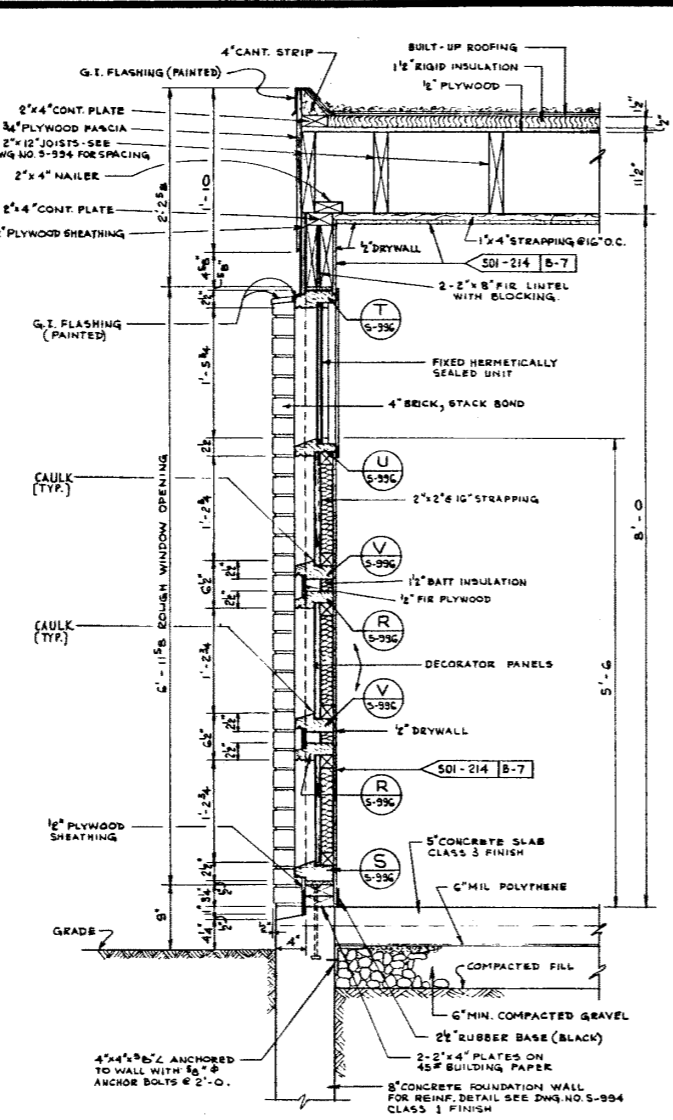
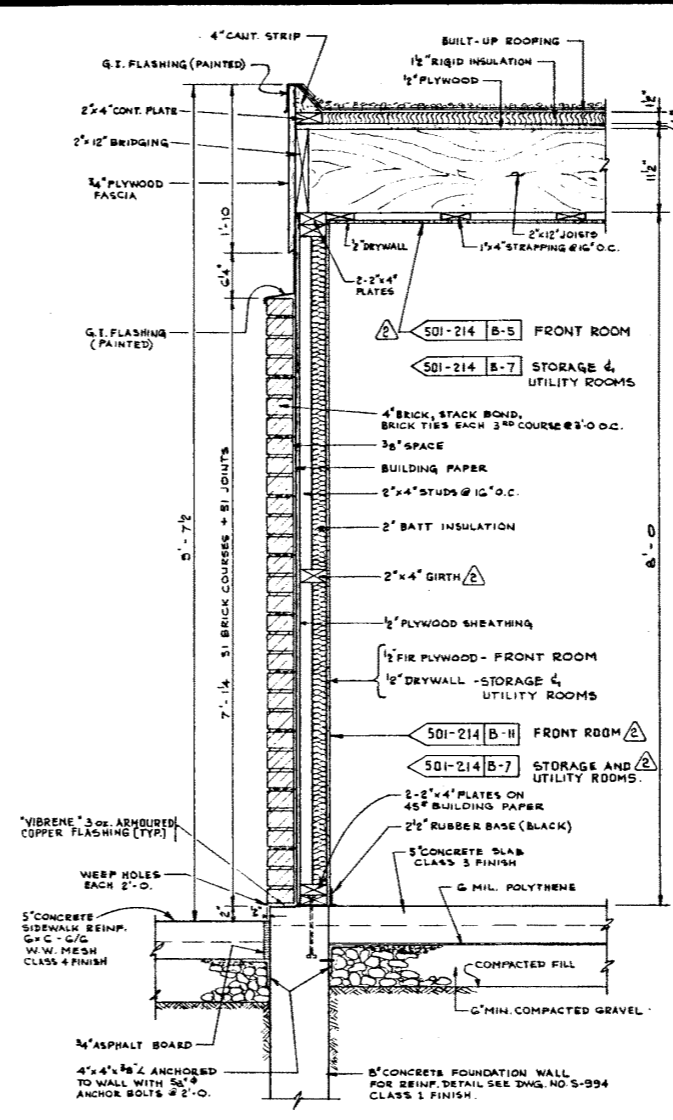


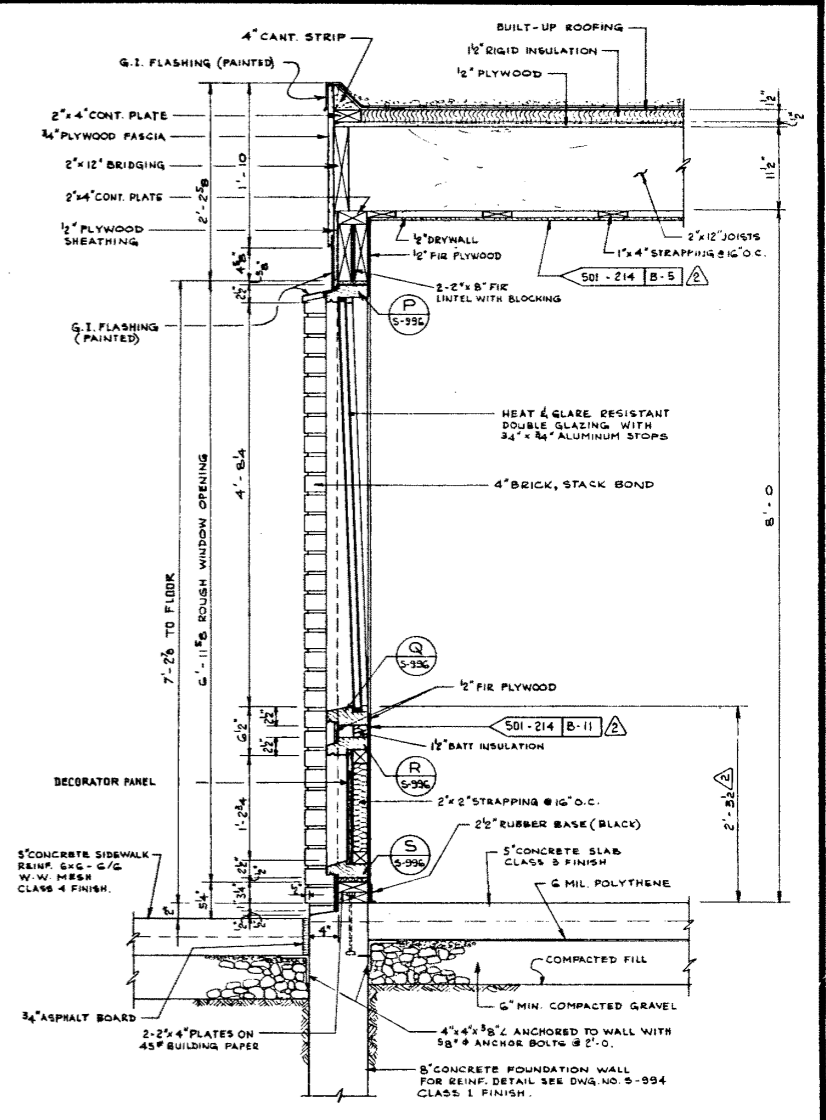
**D WALL SECTION**  
1" = 1'-0"



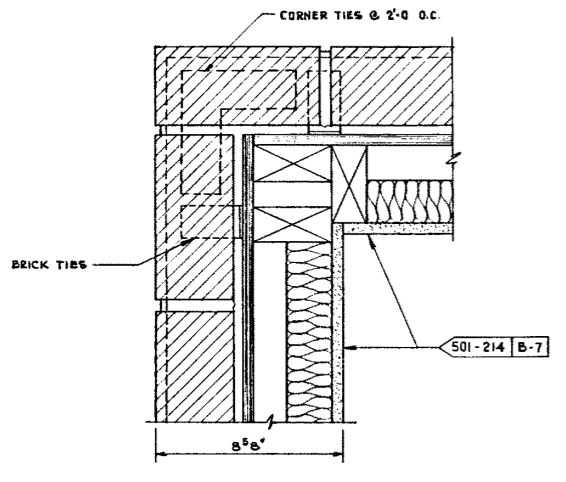
**E WALL SECTION**  
1" = 1'-0"



**F WALL SECTION**  
1" = 1'-0"  
WALL SECTION **F1** SIMILAR EXCEPT ROOF AS **E**



**G WALL SECTION**  
1" = 1'-0"



**L CORNER SECTION**  
3" = 1'-0"

**GENERAL NOTES**

- All paint shall be of a quality as recommended by the Canadian Government Specification Board Guide to the Selection of Paint Specification 1-GP-72.
- Paint colours shown in colour schedule refer to Canadian Government Specification Board Standard Paint Colours 1-GP-12C.
- Colour **501-208 B-1** Finish
- All brick facings to be 1-XL 236 Koko Brown Cordovan Smooth.
- Decorator panels are to have 3/4" exterior grade plywood core with 16 ga. uncoated steel sheet on outside and 20 ga. zinc coated steel sheet on inside. Outside sheet to have two shop coats of paint conforming to C.G.S. Specification 1-GP-10A Type II, and both sides each coat is to have a dry thickness of 1 to 1.5 mils.

**SUPERSEDED**

MAR 2 1972 By DWG. 5995-72

Taken from D.P.W. Dwg's.

APPROVED		PROVINCE OF ALBERTA DEPARTMENT OF HIGHWAYS AND TRANSPORT BRIDGE BRANCH	
2471 Finish notes, dimensions. J.R.C. June 71 Redrawn J.R.C.		WEIGH SCALE STATION WALL SECTIONS, WINDOW & DOOR DETAILS # 1	
NO. DATE DESCRIPTION BY DATE		CHIEF BRIDGE ENGINEER	
DESIGNED DRAWN BY DATE CHECKED BY DATE STREAM LOCATION HWY. NO. SCALE FILE NO. SHEET DWG. NO.			
v. Boychuk July 71 J.R. Channon Aug. 71 shown 3235 of 5-995-71			