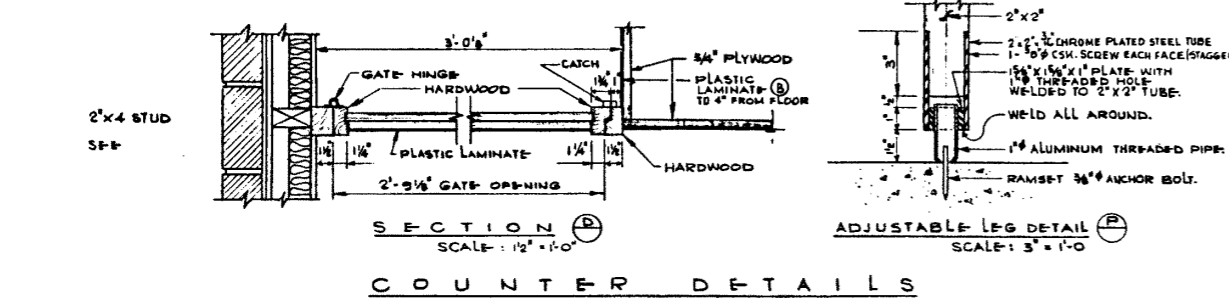
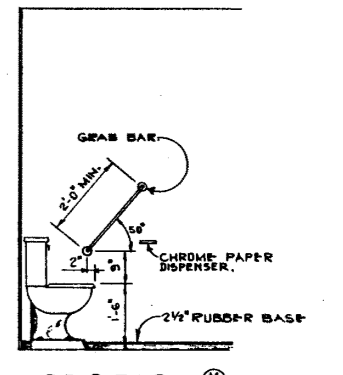


HARDWARE SCHEDULE -
 NOTE: UNLESS SPECIFIED BY CATALOGUE NO. OR OTHERWISE, FINISH CODE TO BE 26D BUTTS. 1/2" PR STANLEY BUTTS BB 173, 4 1/2" X 4" EACH DOOR EXCEPT STORM DOOR.
WASHROOM HARDWARE BY G.H. WOOD:
 - GRAB BAR 105
 - PAPER TOWEL DISPENSER 2025 W.E.
 - SINGLE ROLL TOILET TISSUE DISPENSER R 200
COUNTER GATES. 2" PIANO HINGE X 2'-6"
 RUSSWIN 19111 SECRET GATE CATCH
DOORSTOP 1 DOORSTOP TO BE INSTALLED WHERE DIRECTED
GATE BUMPERS 2 STOPS FOR GATES AND 1 STOP FOR TRAPDOOR TO BE INSTALLED WHERE DIRECTED.
WASHROOM SASH
 SASH ADJUSTER, HAHN HB 3013
 TRANSOM CATCH, HAHN HB 3304,
 WITH HB 3781 KEEPER.



APPROVED		PROVINCE OF ALBERTA DEPARTMENT OF HIGHWAYS AND TRANSPORT BRIDGE BRANCH	
CHIEF BRIDGE ENGINEER		WEIGH SCALE STATION DETAILS OF INTERIOR FITTINGS	
DESIGNED		FILE NO.	
DRAWN BY		SCALE	
DATE		SHEET	
CHECKED BY		DWG. NO.	
DATE		S-997-72	
STREAM		LOCATION	
HWY. NO.		SCALE	
FILE NO.		SHEET	
DATE		DWG. NO.	

SUPERSEDED
 BY 5-997-76
 JUNE 1976 (3)