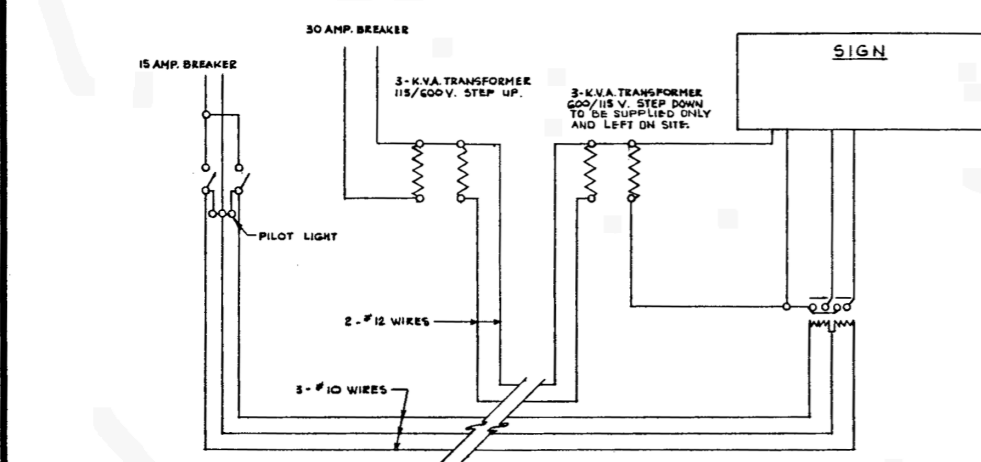
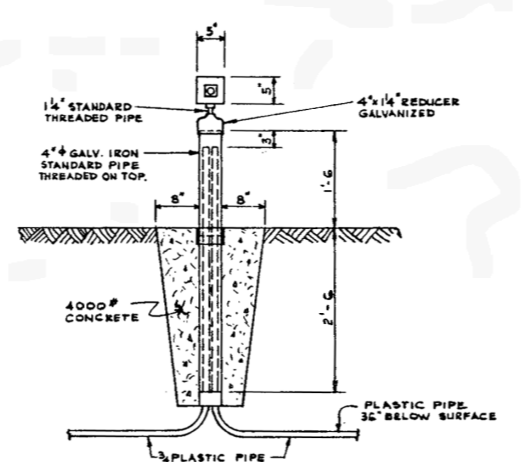


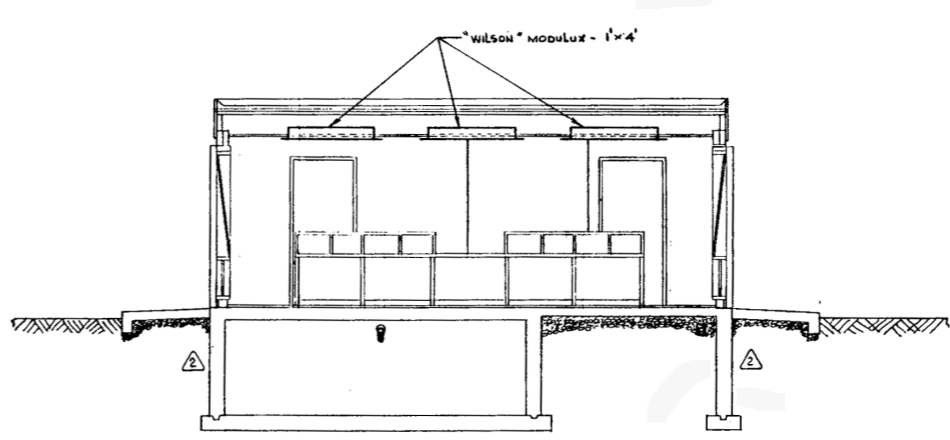
FLOOR PLAN
1/4" = 1'-0"



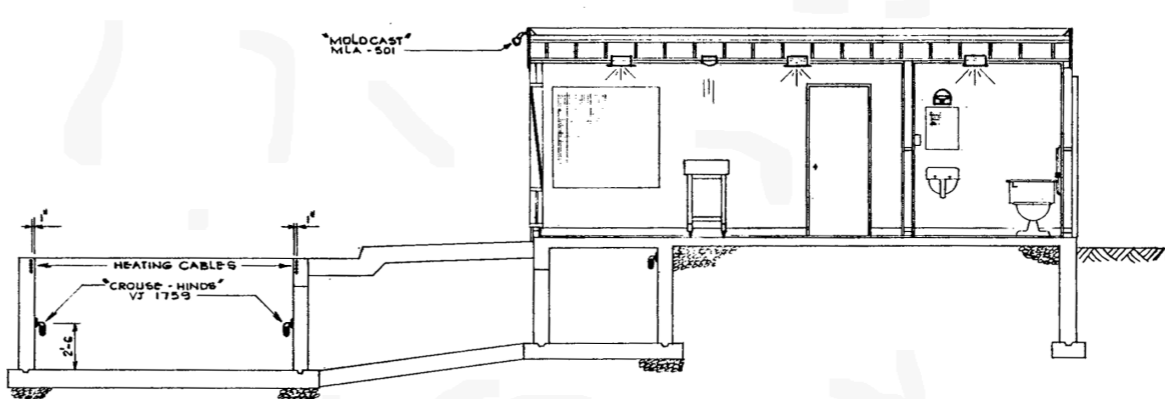
SIGN LIGHTING WIRING DIAGRAM
N.T.S.



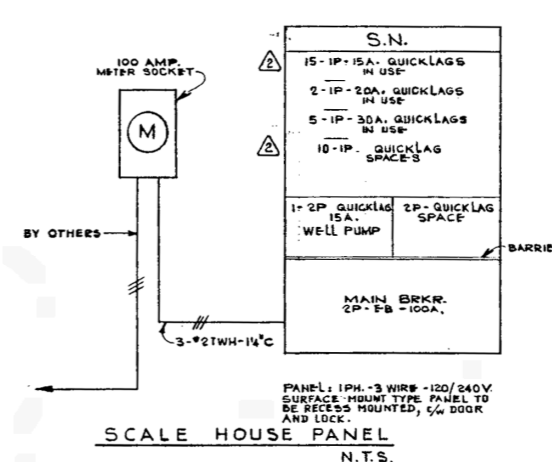
TYPICAL CAR PLUG BOX
3-REQ'D. TYPE-A
3/4" = 1'-0"



SECTION A
1/4" = 1'-0"



SECTION B
1/4" = 1'-0"



SCALE HOUSE PANEL
N.T.S.

- ### SYMBOLS
- (A) CEILING OUTLET WITH FIXTURE TYPE "A"
 - (B) WALL OUTLET WITH FIXTURE TYPE "B"
 - FLUORESCENT FIXTURE
 - (C) LAMPHOLDER TYPE "C"
 - (D) DUPLEX CONVENIENCE OUTLET (WR-WEATHERPROOF COVER)
 - (E) THERMOSTAT
 - (F) TRANSFORMER
 - (M) MOTOR
 - (J) JUNCTION BOX
 - (T) TELEPHONE OUTLET
 - (S) SINGLE POLE SWITCH
 - Sp. SWITCH AND PILOT LIGHT
 - (T) THERMAL SWITCH
 - CONDUIT IN FLOOR
 - PANEL
 - ▨ TELEPHONE CABINET
 - HOME RUN TO PANEL. NUMBER OF ARROWS SHOWN INDICATES NUMBER OF CIRCUITS.
 - (MS) MAGNETIC MOTOR STARTER

- ### GENERAL NOTES
- WORK BY OTHERS WILL BE ARRANGED AND PAID FOR BY THE DEPARTMENT.
- HEATING CABLES CONTROLLED BY TWO SWITCHES, TWO CABLES REQUIRED EQUAL TO PYROTEX VICE, 177 FT. LONG, 800W 120 V EACH. LOCATE WITHIN ONE INCH OF SURFACE. USE EXCESS CABLE AT 4 CORNERS, EQUAL AMOUNT AT EACH.
- LIGHTING CONTACTOR SHALL BE 120 VOLTS - 5 POLE, SIZE 1. CONTROL CIRCUIT TO HAVE SMITH AND STONE 4-4961-2 LOCK TYPE SWITCH IN PARALLEL WITH PHOTOCELL SWITCH TO BE LOCATED ADJACENT TO MAIN PANEL.

- ### FIXTURE LIST
- A. "WILSON" MODULUX - 1'x4' RECESSED IN 1/2" WALLBOARD CEILING.
 - B. "COLUMBIA" 4758 WALL BRACKET 9/16" CONVENIENCE OUTLET. - 2 - 60W.
 - C. "MOLDCAST" LAMPHOLDER CAT. NO. MLA 501 WITH PAR - 38 150 W FLOODLAMP.
 - D. "CROUSE - HINDS" WALL BRACKET CAT. NO. VJ 1759 - 100 W.
 - E. "COLUMBIA" ROUND RECESSED POT LIGHT CAT. NO. 9440 9/16" LOWERED FRAME SATIN WHITE CAT. NO. 9475 AND R30-75 W BULB.
- NOTE: ALTERNATES TO ABOVE TO BE APPROVED BY THE DEPARTMENT.

SUPERSEDED
BY DRAWING S-999-72
MARCH 1, 1972

REGISTERED PROFESSIONAL ENGINEER ALBERTA
V. BOYCHUK

APPROVED		PROVINCE OF ALBERTA DEPARTMENT OF HIGHWAYS AND TRANSPORT BRIDGE BRANCH	
Sep 30 71 P. Eng. Stamp added. Sep 21 71 General. June 71 Redrawn.		J.R.C. J.R.C. CHIEF BRIDGE ENGINEER	
NO. DATE DESCRIPTION		DATE	
REVISIONS			
DESIGNED	DRAWN BY	DATE	CHECKED BY
J.R. CHANNON	V. BOYCHUK F.W. BUDA	AUG. 1971	
STREAM	LOCATION	HWY. NO.	SCALE
			shown
FILE NO.	SHEET	DWG. NO.	
3235	of	S-999-71	