

Turning Movement Summary Diagram

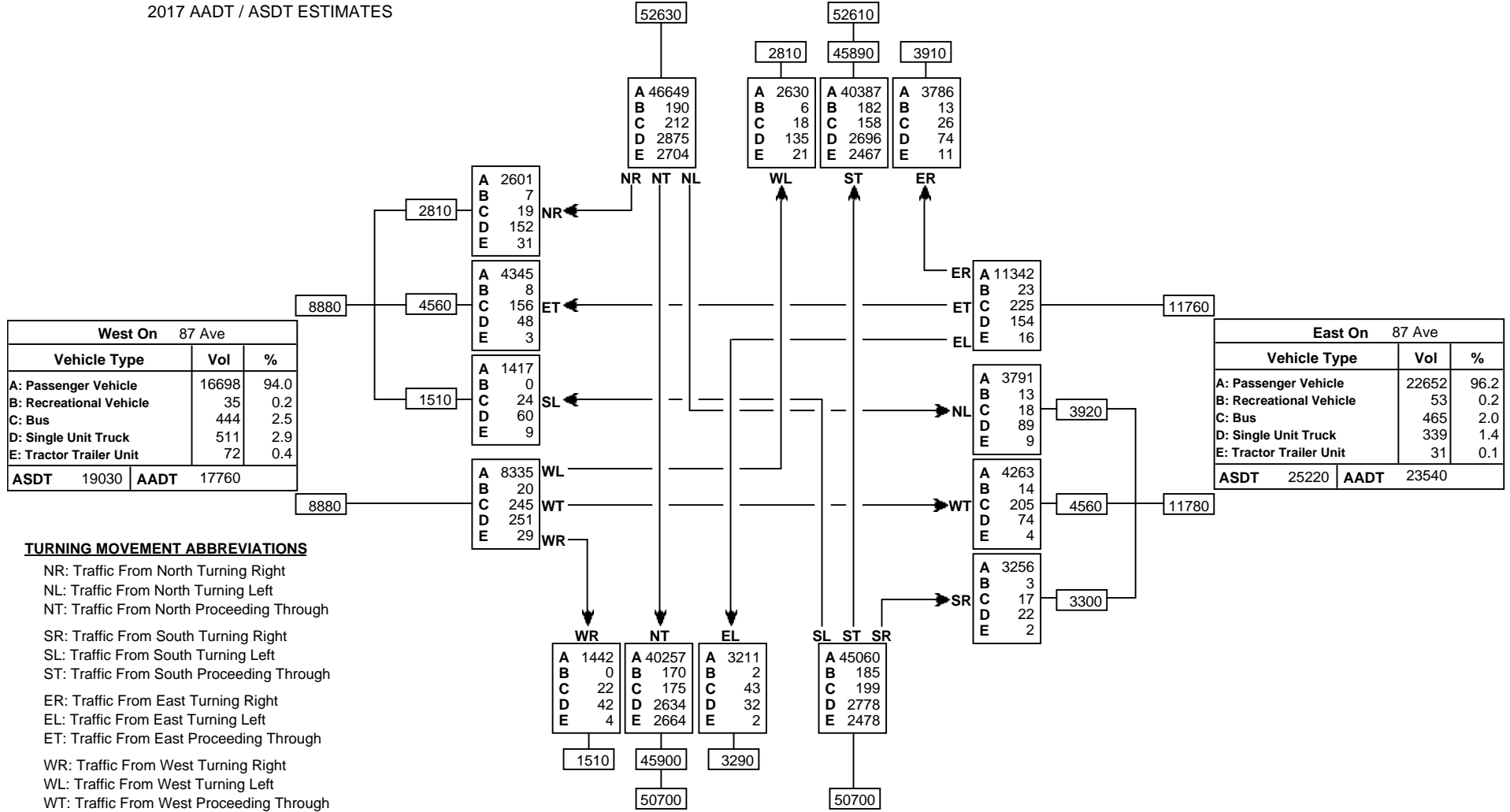
Reference No.: 20000004

Intersection of:

216 & 87 AVE, EDMONTON 29-52-25-410500650

2017 AADT / ASDT ESTIMATES

North On 216		
Vehicle Type	Vol	%
A: Passenger Vehicle	93452	88.8
B: Recreational Vehicle	391	0.4
C: Bus	414	0.4
D: Single Unit Truck	5780	5.5
E: Tractor Trailer Unit	5203	4.9
ASDT	112730	AAADT 105240



TURNING MOVEMENT ABBREVIATIONS

AAADT: Annual Average Daily Traffic
 Average daily traffic expressed as vehicles per day for period of January 1 to December 31 (365 days)

ASDT: Average Summer Daily Traffic
 Average daily traffic expressed as vehicles per day for period of May 1 to September 30 (153 days)

South On 216		
Vehicle Type	Vol	%
A: Passenger Vehicle	89970	88.7
B: Recreational Vehicle	357	0.4
C: Bus	439	0.4
D: Single Unit Truck	5486	5.4
E: Tractor Trailer Unit	5148	5.1
ASDT	108620	AAADT 101400

Turning Movement Summary Diagram

Reference No.: 20000004

Intersection of:

216 & 87 AVE, EDMONTON 29-52-25-410500650

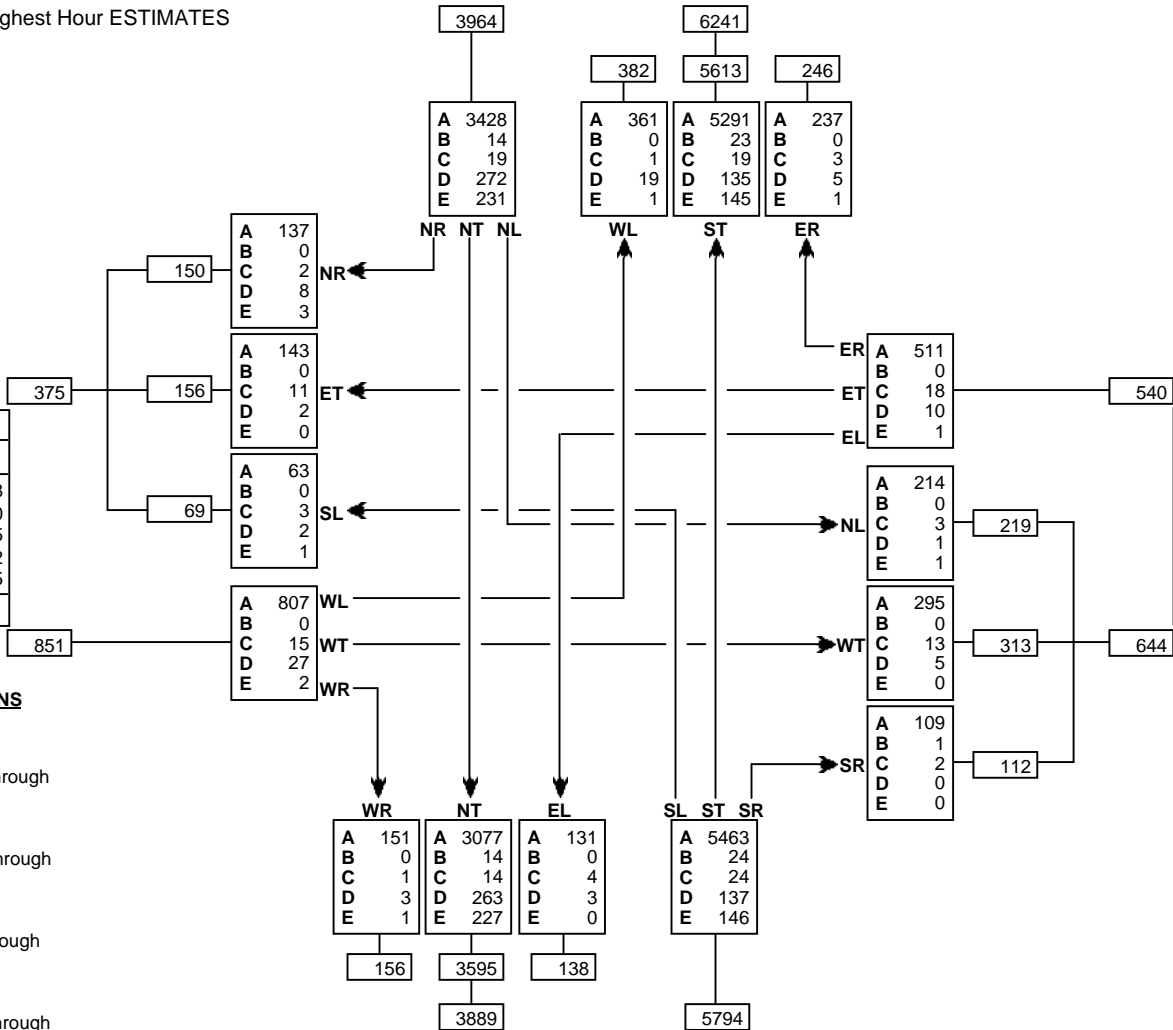
2017 a.m. 100th Highest Hour ESTIMATES

North On 216		
Vehicle Type	Vol	%
A: Passenger Vehicle	9317	91.3
B: Recreational Vehicle	37	0.4
C: Bus	42	0.4
D: Single Unit Truck	431	4.2
E: Tractor Trailer Unit	378	3.7
Total	10205	

West On 87 Ave		
Vehicle Type	Vol	%
A: Passenger Vehicle	1150	93.8
B: Recreational Vehicle	0	0.0
C: Bus	31	2.5
D: Single Unit Truck	39	3.2
E: Tractor Trailer Unit	6	0.5
Total	1226	

East On 87 Ave		
Vehicle Type	Vol	%
A: Passenger Vehicle	1129	95.4
B: Recreational Vehicle	1	0.1
C: Bus	36	3.0
D: Single Unit Truck	16	1.4
E: Tractor Trailer Unit	2	0.2
Total	1184	

South On 216		
Vehicle Type	Vol	%
A: Passenger Vehicle	8822	91.1
B: Recreational Vehicle	38	0.4
C: Bus	43	0.4
D: Single Unit Truck	406	4.2
E: Tractor Trailer Unit	374	3.9
Total	9683	



TURNING MOVEMENT ABBREVIATIONS

- NR: Traffic From North Turning Right
- NL: Traffic From North Turning Left
- NT: Traffic From North Proceeding Through
- SR: Traffic From South Turning Right
- SL: Traffic From South Turning Left
- ST: Traffic From South Proceeding Through
- ER: Traffic From East Turning Right
- EL: Traffic From East Turning Left
- ET: Traffic From East Proceeding Through
- WR: Traffic From West Turning Right
- WL: Traffic From West Turning Left
- WT: Traffic From West Proceeding Through

Turning Movement Summary Diagram

Reference No.: 20000004

Intersection of:

216 & 87 AVE, EDMONTON 29-52-25-410500650

2017 p.m. 100th Highest Hour ESTIMATES

North On 216		
Vehicle Type	Vol	%
A: Passenger Vehicle	9373	91.8
B: Recreational Vehicle	37	0.4
C: Bus	44	0.4
D: Single Unit Truck	423	4.1
E: Tractor Trailer Unit	329	3.2
Total	10206	

West On 87 Ave		
Vehicle Type	Vol	%
A: Passenger Vehicle	1550	94.2
B: Recreational Vehicle	2	0.1
C: Bus	46	2.8
D: Single Unit Truck	39	2.4
E: Tractor Trailer Unit	8	0.5
Total	1645	

East On 87 Ave		
Vehicle Type	Vol	%
A: Passenger Vehicle	2241	96.6
B: Recreational Vehicle	5	0.2
C: Bus	48	2.1
D: Single Unit Truck	24	1.0
E: Tractor Trailer Unit	1	0.0
Total	2319	

TURNING MOVEMENT ABBREVIATIONS

- NR: Traffic From North Turning Right
- NL: Traffic From North Turning Left
- NT: Traffic From North Proceeding Through
- SR: Traffic From South Turning Right
- SL: Traffic From South Turning Left
- ST: Traffic From South Proceeding Through
- ER: Traffic From East Turning Right
- EL: Traffic From East Turning Left
- ET: Traffic From East Proceeding Through
- WR: Traffic From West Turning Right
- WL: Traffic From West Turning Left
- WT: Traffic From West Proceeding Through

