

**Turning Movement Summary Diagram**

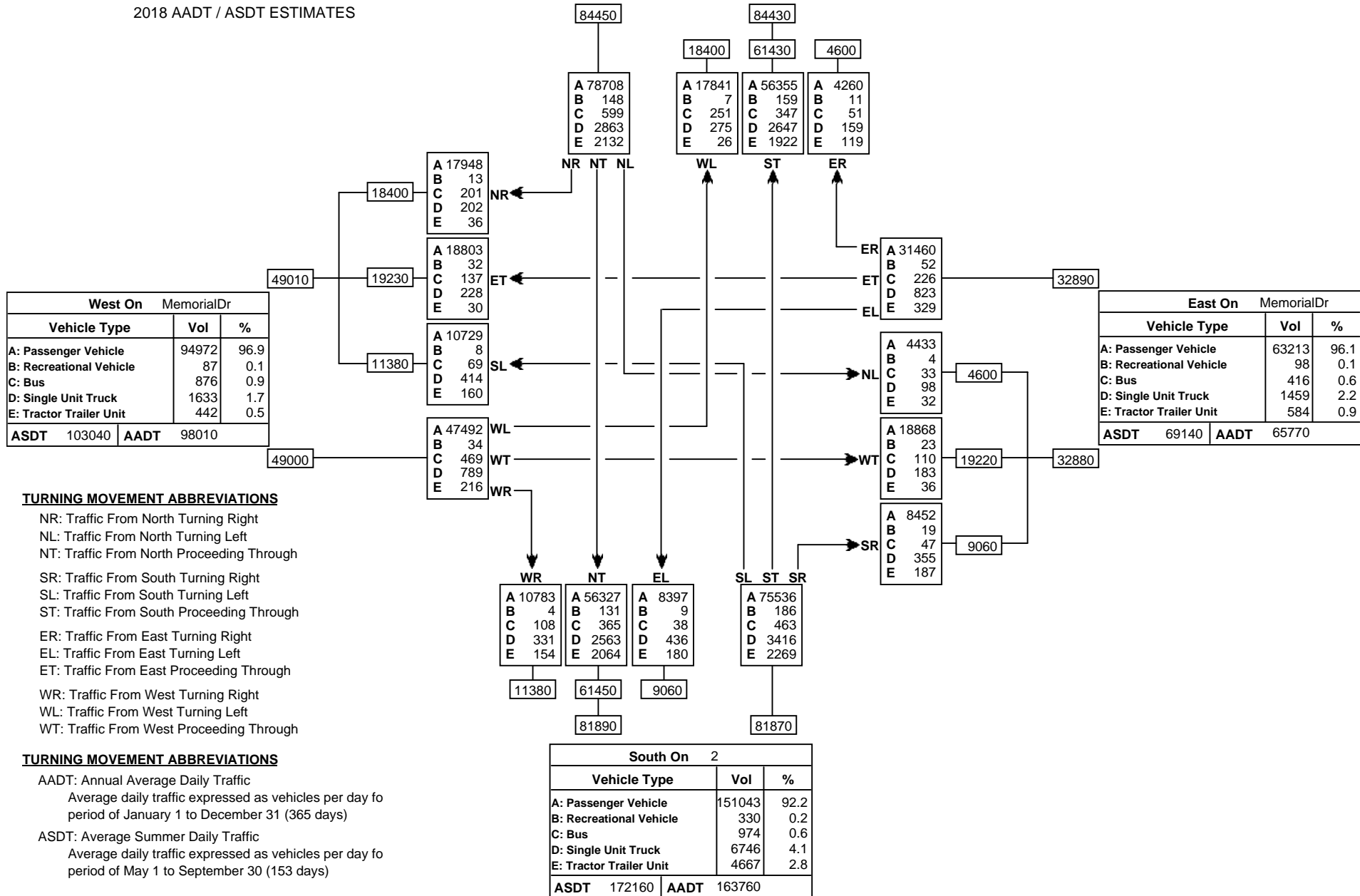
Reference No.: 10000007

Intersection of:

2 & MEMORIAL DR IN CALGARY 13-24-1-512000000

2018 AADT / ASDT ESTIMATES

North On 2		
Vehicle Type	Vol	%
A: Passenger Vehicle	157164	93.1
B: Recreational Vehicle	325	0.2
C: Bus	1248	0.7
D: Single Unit Truck	5944	3.5
E: Tractor Trailer Unit	4199	2.5
<b>ASDT</b>	177540	
<b>AAADT</b>	168880	



### Turning Movement Summary Diagram

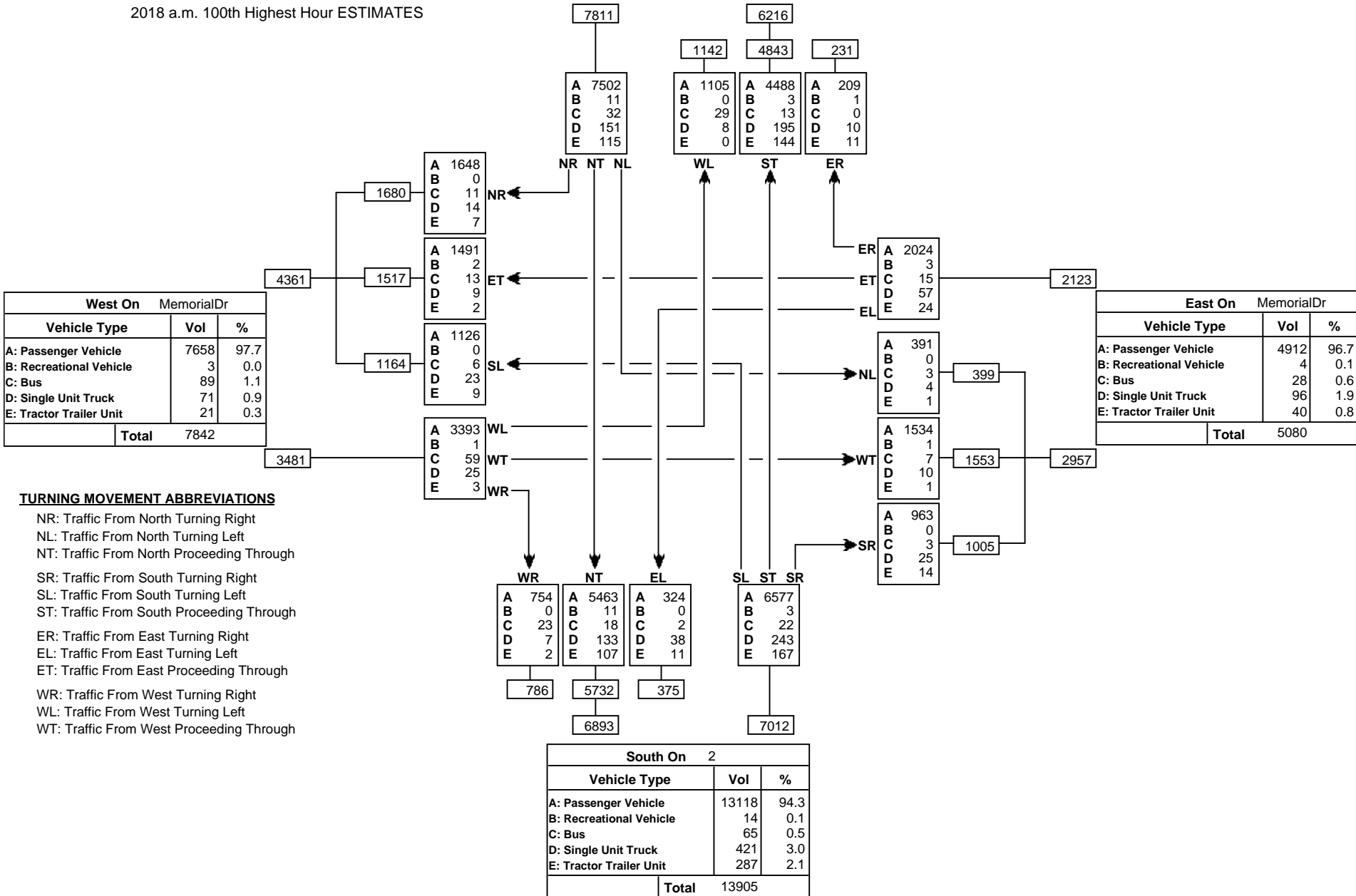
Reference No.: 10000007

Intersection of:

2 & MEMORIAL DR IN CALGARY 13-24-1-512000000

2018 a.m. 100th Highest Hour ESTIMATES

North On 2		
Vehicle Type	Vol	%
A: Passenger Vehicle	13304	94.8
B: Recreational Vehicle	15	0.1
C: Bus	74	0.5
D: Single Unit Truck	364	2.6
E: Tractor Trailer Unit	270	1.9
<b>Total</b>	<b>14027</b>	



**Turning Movement Summary Diagram**

Reference No.: 10000007

Intersection of:

2 & MEMORIAL DR IN CALGARY 13-24-1-512000000

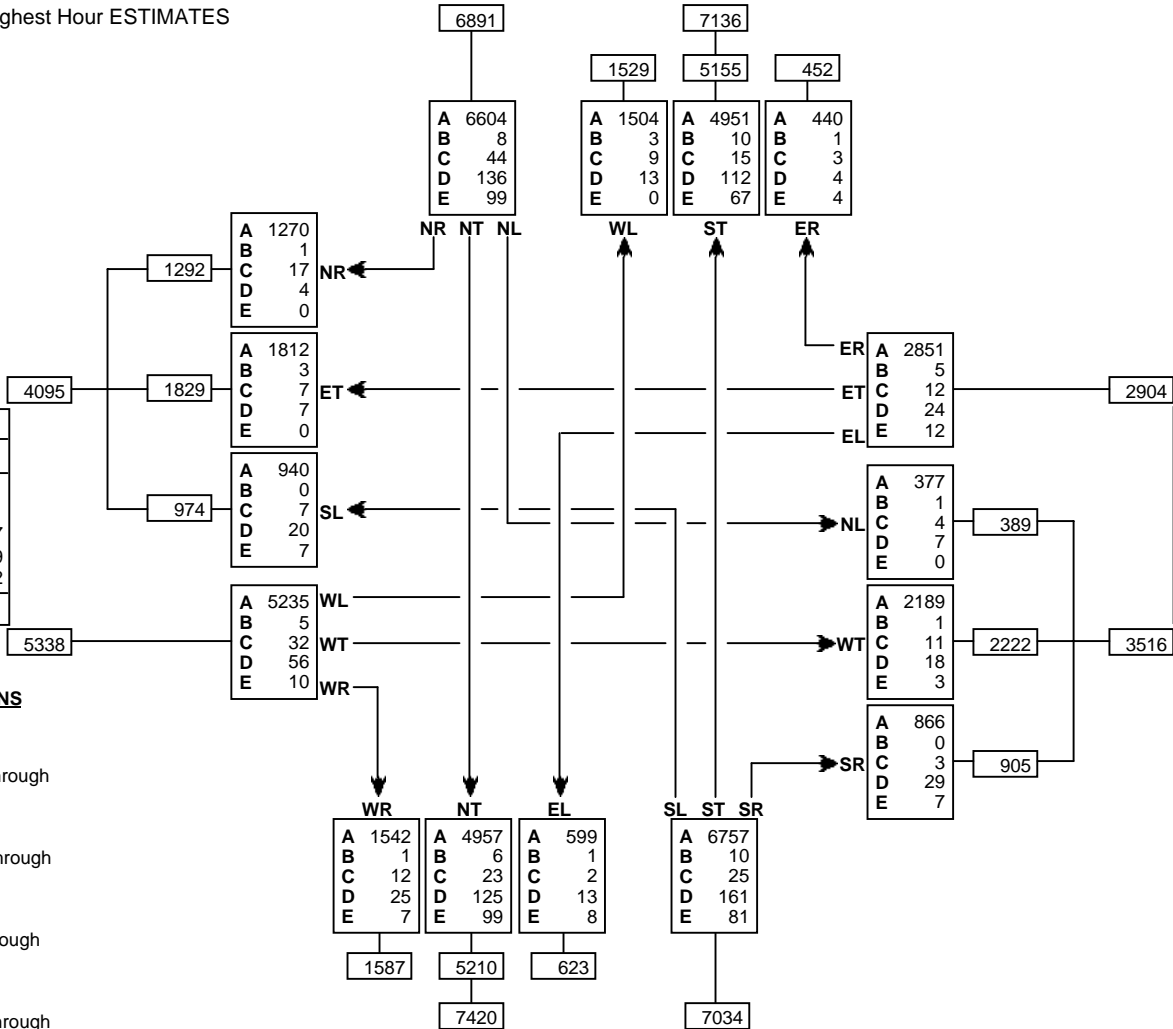
2018 p.m. 100th Highest Hour ESTIMATES

North On 2		
Vehicle Type	Vol	%
A: Passenger Vehicle	13499	96.2
B: Recreational Vehicle	22	0.2
C: Bus	71	0.5
D: Single Unit Truck	265	1.9
E: Tractor Trailer Unit	170	1.2
<b>Total</b>	<b>14027</b>	

West On MemorialDr		
Vehicle Type	Vol	%
A: Passenger Vehicle	9257	98.1
B: Recreational Vehicle	9	0.1
C: Bus	63	0.7
D: Single Unit Truck	87	0.9
E: Tractor Trailer Unit	17	0.2
<b>Total</b>	<b>9433</b>	

East On MemorialDr		
Vehicle Type	Vol	%
A: Passenger Vehicle	6283	97.9
B: Recreational Vehicle	7	0.1
C: Bus	30	0.5
D: Single Unit Truck	78	1.2
E: Tractor Trailer Unit	22	0.3
<b>Total</b>	<b>6420</b>	

South On 2		
Vehicle Type	Vol	%
A: Passenger Vehicle	13855	95.9
B: Recreational Vehicle	18	0.1
C: Bus	62	0.4
D: Single Unit Truck	324	2.2
E: Tractor Trailer Unit	195	1.3
<b>Total</b>	<b>14454</b>	



**TURNING MOVEMENT ABBREVIATIONS**

- NR: Traffic From North Turning Right
- NL: Traffic From North Turning Left
- NT: Traffic From North Proceeding Through
- SR: Traffic From South Turning Right
- SL: Traffic From South Turning Left
- ST: Traffic From South Proceeding Through
- ER: Traffic From East Turning Right
- EL: Traffic From East Turning Left
- ET: Traffic From East Proceeding Through
- WR: Traffic From West Turning Right
- WL: Traffic From West Turning Left
- WT: Traffic From West Proceeding Through