

Turning Movement Summary Diagram

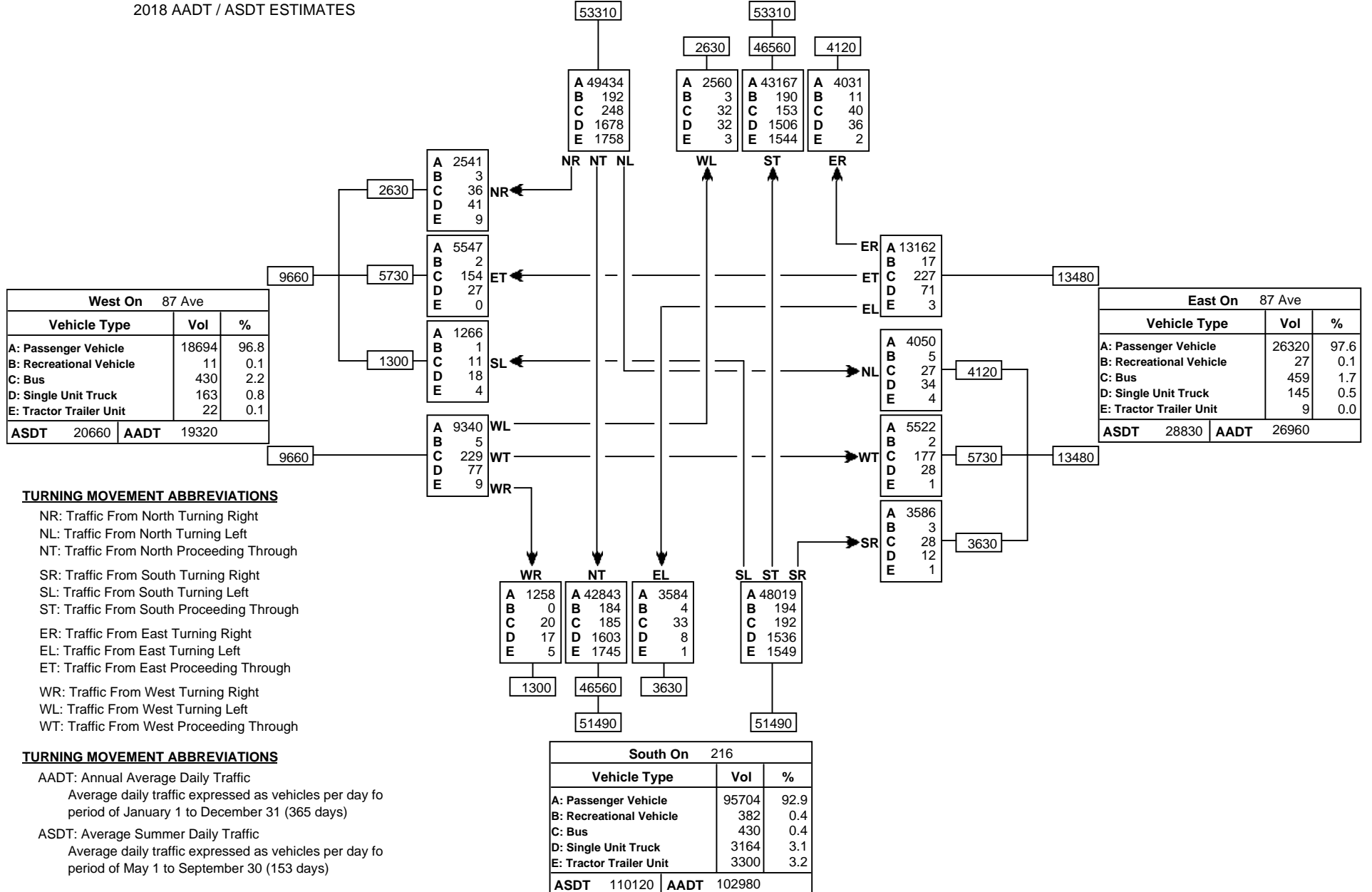
Reference No.: 20000004

Intersection of:

216 & 87 AVE, EDMONTON 29-52-25-410500650

2018 AADT / ASDT ESTIMATES

North On 216		
Vehicle Type	Vol	%
A: Passenger Vehicle	99192	93.0
B: Recreational Vehicle	396	0.4
C: Bus	473	0.4
D: Single Unit Truck	3252	3.1
E: Tractor Trailer Unit	3307	3.1
ASDT	114010	AAADT 106620



Turning Movement Summary Diagram

Reference No.: 20000004

Intersection of:

216 & 87 AVE, EDMONTON 29-52-25-410500650

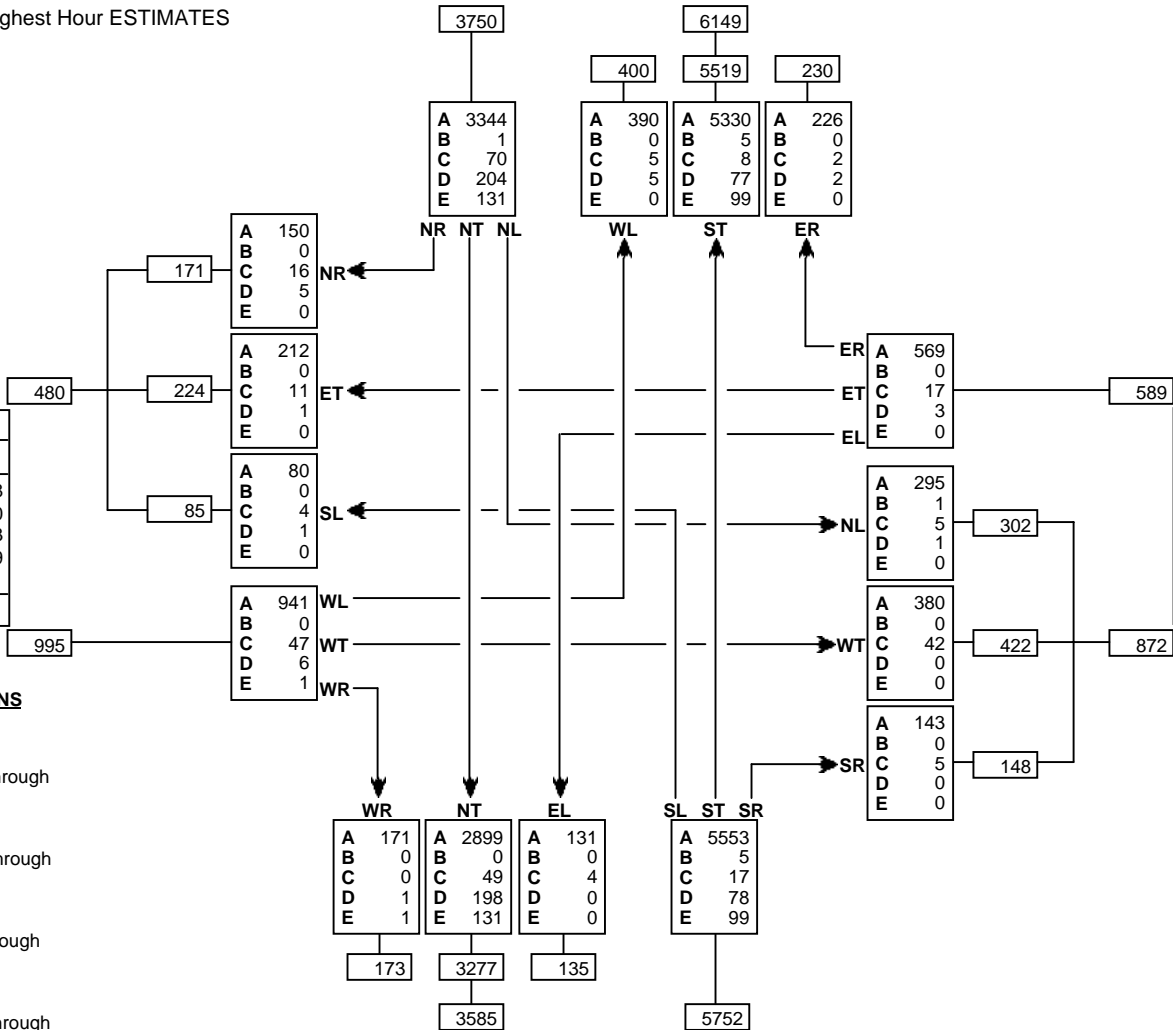
2018 a.m. 100th Highest Hour ESTIMATES

North On 216		
Vehicle Type	Vol	%
A: Passenger Vehicle	9290	93.8
B: Recreational Vehicle	6	0.1
C: Bus	85	0.9
D: Single Unit Truck	288	2.9
E: Tractor Trailer Unit	230	2.3
Total	9899	

West On 87 Ave		
Vehicle Type	Vol	%
A: Passenger Vehicle	1383	93.8
B: Recreational Vehicle	0	0.0
C: Bus	78	5.3
D: Single Unit Truck	13	0.9
E: Tractor Trailer Unit	1	0.1
Total	1475	

East On 87 Ave		
Vehicle Type	Vol	%
A: Passenger Vehicle	1387	94.9
B: Recreational Vehicle	1	0.1
C: Bus	69	4.7
D: Single Unit Truck	4	0.3
E: Tractor Trailer Unit	0	0.0
Total	1461	

South On 216		
Vehicle Type	Vol	%
A: Passenger Vehicle	8754	93.8
B: Recreational Vehicle	5	0.1
C: Bus	70	0.7
D: Single Unit Truck	277	3.0
E: Tractor Trailer Unit	231	2.5
Total	9337	



TURNING MOVEMENT ABBREVIATIONS

- NR: Traffic From North Turning Right
- NL: Traffic From North Turning Left
- NT: Traffic From North Proceeding Through
- SR: Traffic From South Turning Right
- SL: Traffic From South Turning Left
- ST: Traffic From South Proceeding Through
- ER: Traffic From East Turning Right
- EL: Traffic From East Turning Left
- ET: Traffic From East Proceeding Through
- WR: Traffic From West Turning Right
- WL: Traffic From West Turning Left
- WT: Traffic From West Proceeding Through

Turning Movement Summary Diagram

Reference No.: 20000004

Intersection of:

216 & 87 AVE, EDMONTON 29-52-25-410500650

2018 p.m. 100th Highest Hour ESTIMATES

North On 216		
Vehicle Type	Vol	%
A: Passenger Vehicle	9381	94.8
B: Recreational Vehicle	58	0.6
C: Bus	57	0.6
D: Single Unit Truck	218	2.2
E: Tractor Trailer Unit	186	1.9
Total	9900	

5027	4873	193	4224	456
A 4854 B 26 C 7 D 75 E 65	A 190 B 0 C 2 D 1 E 0	A 3899 B 26 C 40 D 138 E 121	A 438 B 6 C 8 D 4 E 0	
NR NT NL	WL	ST	ER	

West On 87 Ave		
Vehicle Type	Vol	%
A: Passenger Vehicle	1869	96.8
B: Recreational Vehicle	1	0.1
C: Bus	52	2.7
D: Single Unit Truck	8	0.4
E: Tractor Trailer Unit	0	0.0
Total	1930	

1155	262	792	101	775
A 258 B 0 C 4 D 0 E 0	A 764 B 1 C 26 D 1 E 0	A 101 B 0 C 0 D 0 E 0	A 746 B 0 C 22 D 7 E 0	
NR	ET	SL	WL WT WR	

East On 87 Ave		
Vehicle Type	Vol	%
A: Passenger Vehicle	2793	97.4
B: Recreational Vehicle	9	0.3
C: Bus	51	1.8
D: Single Unit Truck	14	0.5
E: Tractor Trailer Unit	0	0.0
Total	2867	

1778	380	425	1089	284
A 1726 B 8 C 36 D 8 E 0	A 378 B 0 C 1 D 1 E 0	A 409 B 0 C 13 D 3 E 0	A 280 B 1 C 1 D 2 E 0	
ER ET EL	NL	WT	SR	

157	4385	530	5072	4609
A 147 B 0 C 7 D 3 E 0	A 4218 B 26 C 2 D 74 E 65	A 524 B 1 C 2 D 3 E 0	A 4280 B 27 C 41 D 140 E 121	
WR	NT	EL	SL ST SR	

South On 216		
Vehicle Type	Vol	%
A: Passenger Vehicle	9169	94.7
B: Recreational Vehicle	54	0.6
C: Bus	52	0.5
D: Single Unit Truck	220	2.3
E: Tractor Trailer Unit	186	1.9
Total	9681	

TURNING MOVEMENT ABBREVIATIONS

- NR: Traffic From North Turning Right
- NL: Traffic From North Turning Left
- NT: Traffic From North Proceeding Through
- SR: Traffic From South Turning Right
- SL: Traffic From South Turning Left
- ST: Traffic From South Proceeding Through
- ER: Traffic From East Turning Right
- EL: Traffic From East Turning Left
- ET: Traffic From East Proceeding Through
- WR: Traffic From West Turning Right
- WL: Traffic From West Turning Left
- WT: Traffic From West Proceeding Through