

Turning Movement Summary Diagram

Reference No.: 10000019

Intersection of:

2 & CRANSTON RD/SETON BLVD IN CALGARY 21-22-29-409351305

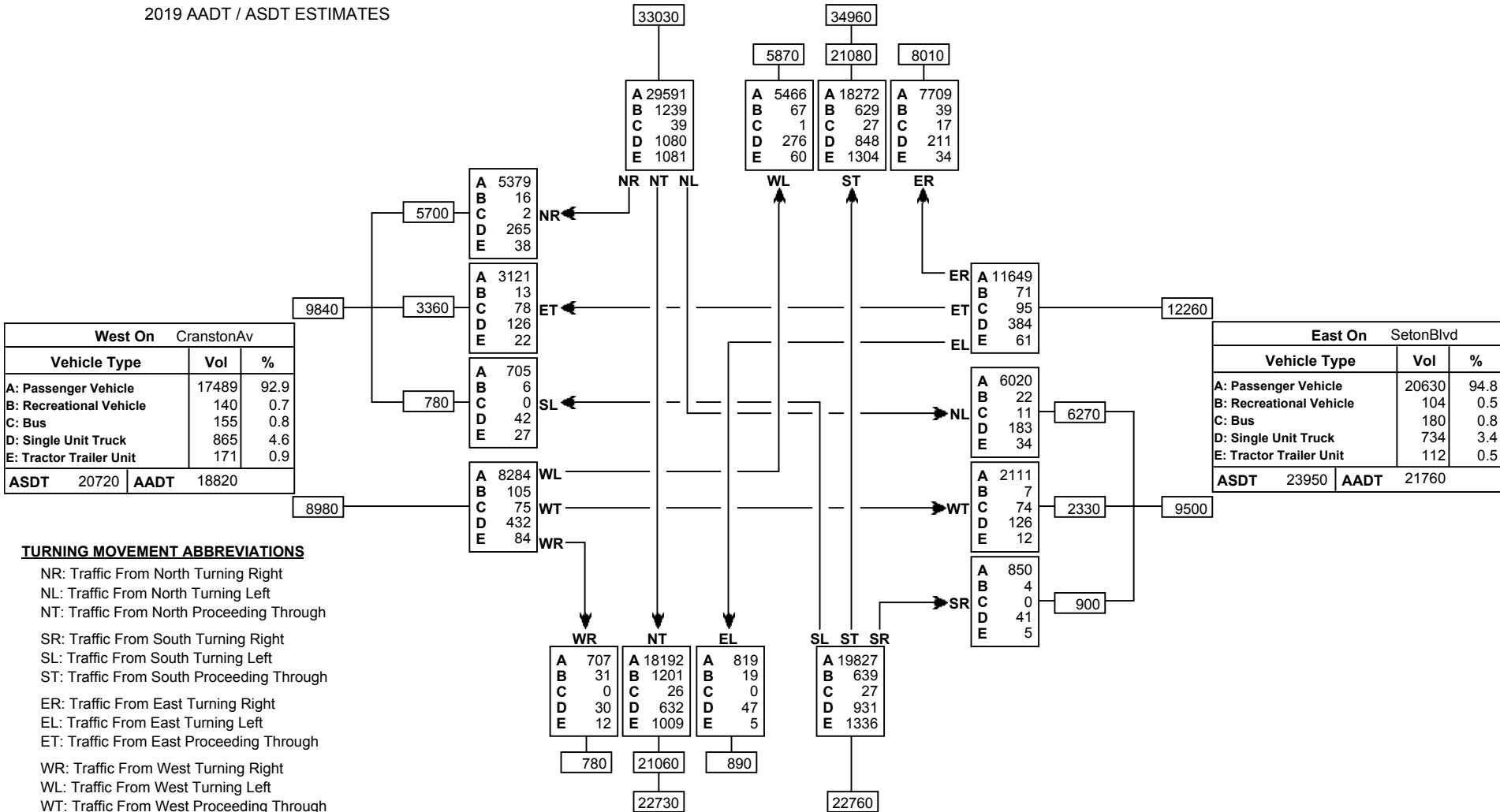
2019 AADT / ASDT ESTIMATES

North On 2		
Vehicle Type	Vol	%
A: Passenger Vehicle	61038	89.8
B: Recreational Vehicle	1974	2.9
C: Bus	84	0.1
D: Single Unit Truck	2415	3.6
E: Tractor Trailer Unit	2479	3.6
ASDT	74840	AADT 67990

West On CranstonAv		
Vehicle Type	Vol	%
A: Passenger Vehicle	17489	92.9
B: Recreational Vehicle	140	0.7
C: Bus	155	0.8
D: Single Unit Truck	865	4.6
E: Tractor Trailer Unit	171	0.9
ASDT	20720	AADT 18820

East On SetonBlvd		
Vehicle Type	Vol	%
A: Passenger Vehicle	20630	94.8
B: Recreational Vehicle	104	0.5
C: Bus	180	0.8
D: Single Unit Truck	734	3.4
E: Tractor Trailer Unit	112	0.5
ASDT	23950	AADT 21760

South On 2		
Vehicle Type	Vol	%
A: Passenger Vehicle	39545	86.9
B: Recreational Vehicle	1890	4.2
C: Bus	53	0.1
D: Single Unit Truck	1640	3.6
E: Tractor Trailer Unit	2362	5.2
ASDT	50070	AADT 45490



TURNING MOVEMENT ABBREVIATIONS

- NR: Traffic From North Turning Right
- NL: Traffic From North Turning Left
- NT: Traffic From North Proceeding Through
- SR: Traffic From South Turning Right
- SL: Traffic From South Turning Left
- ST: Traffic From South Proceeding Through
- ER: Traffic From East Turning Right
- EL: Traffic From East Turning Left
- ET: Traffic From East Proceeding Through
- WR: Traffic From West Turning Right
- WL: Traffic From West Turning Left
- WT: Traffic From West Proceeding Through

TURNING MOVEMENT ABBREVIATIONS

- AADT: Annual Average Daily Traffic
Average daily traffic expressed as vehicles per day for period of January 1 to December 31 (365 days)
- ASDT: Average Summer Daily Traffic
Average daily traffic expressed as vehicles per day for period of May 1 to September 30 (153 days)

Turning Movement Summary Diagram

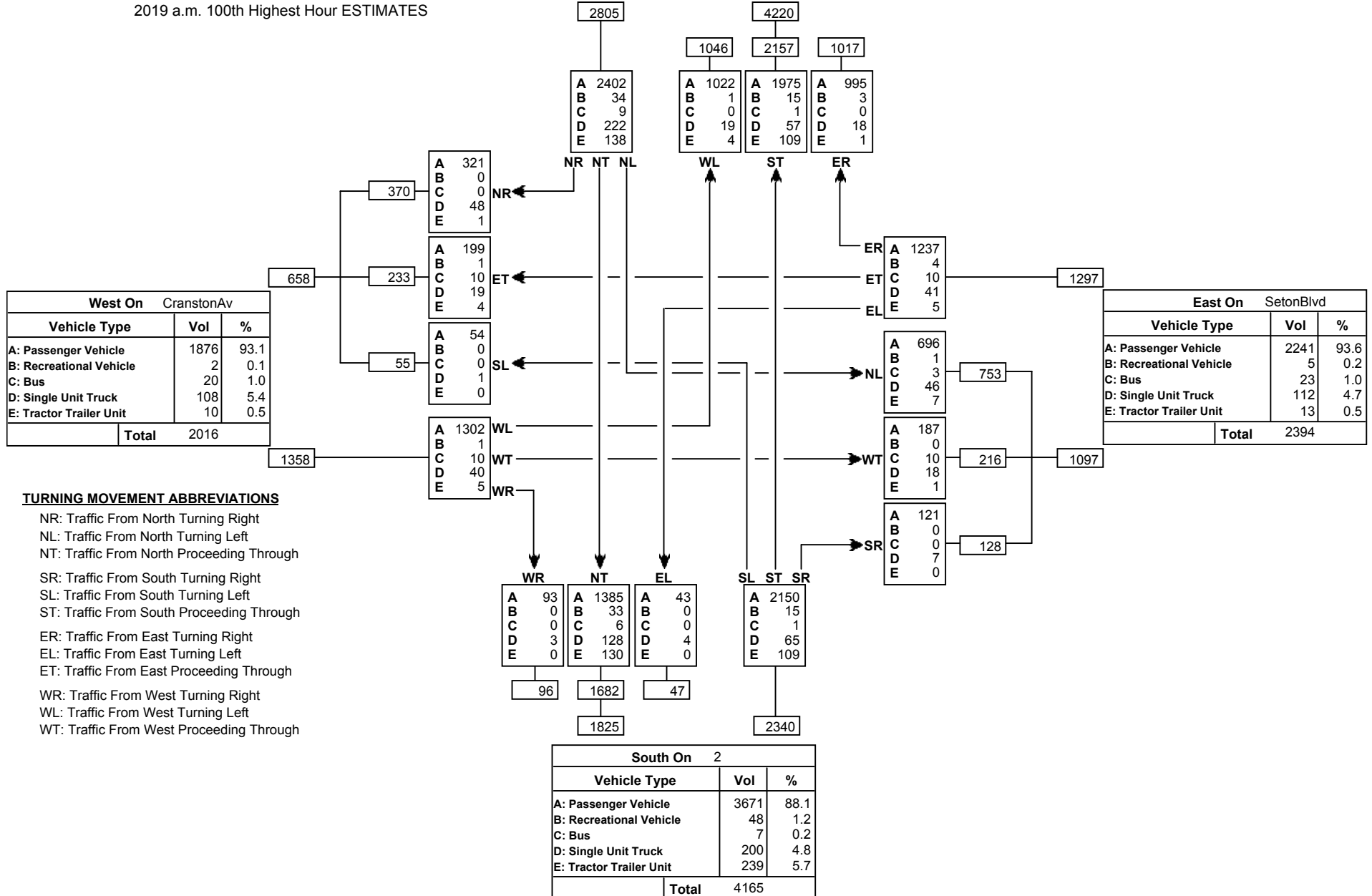
Reference No.: 10000019

Intersection of:

2 & CRANSTON RD/SETON BLVD IN CALGARY 21-22-29-409351305

2019 a.m. 100th Highest Hour ESTIMATES

North On 2		
Vehicle Type	Vol	%
A: Passenger Vehicle	6394	91.0
B: Recreational Vehicle	53	0.8
C: Bus	10	0.1
D: Single Unit Truck	316	4.5
E: Tractor Trailer Unit	252	3.6
Total	7025	



South On 2		
Vehicle Type	Vol	%
A: Passenger Vehicle	3671	88.1
B: Recreational Vehicle	48	1.2
C: Bus	7	0.2
D: Single Unit Truck	200	4.8
E: Tractor Trailer Unit	239	5.7
Total	4165	

Turning Movement Summary Diagram

Reference No.: 10000019

Intersection of:

2 & CRANSTON RD/SETON BLVD IN CALGARY 21-22-29-409351305

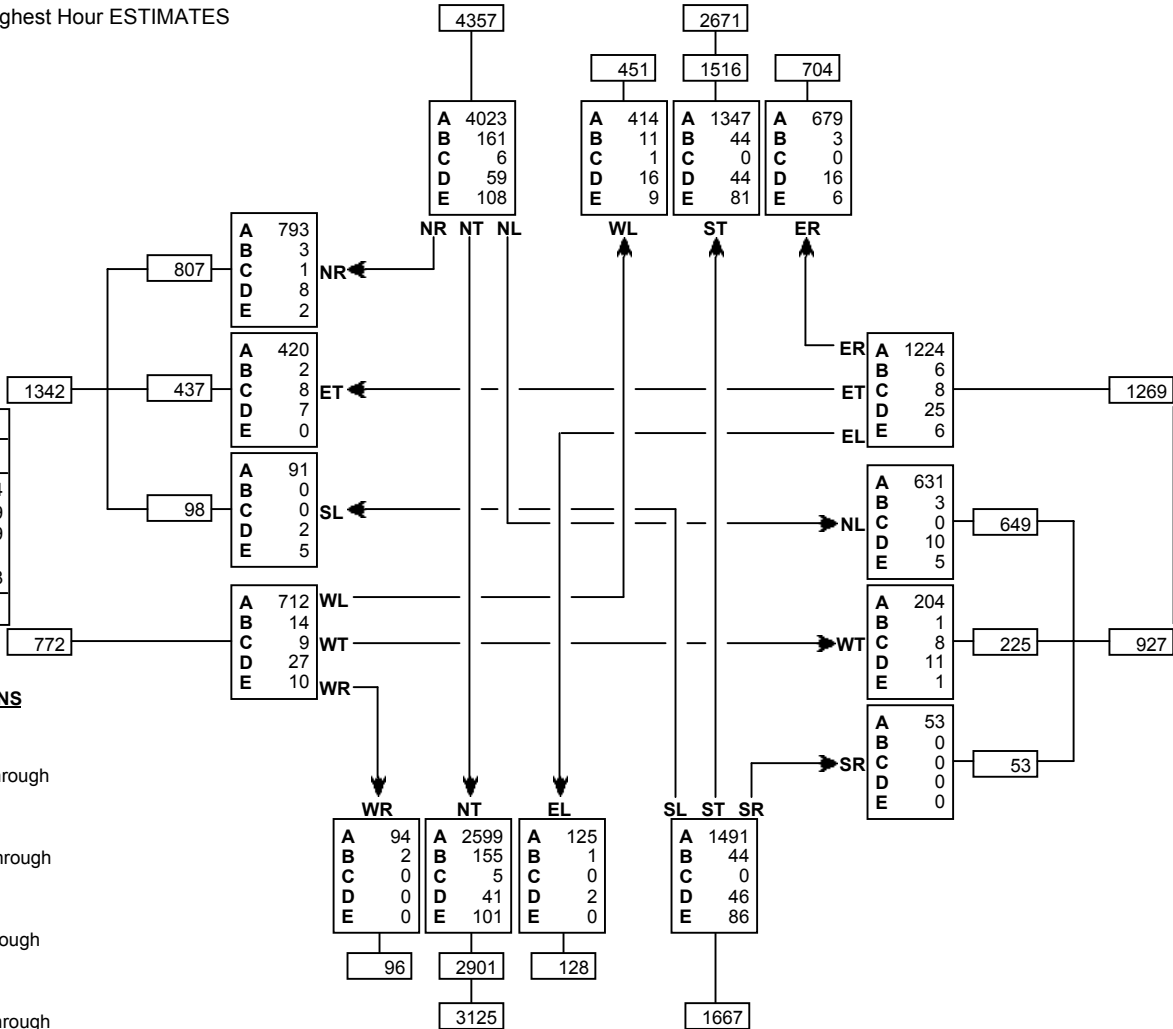
2019 p.m. 100th Highest Hour ESTIMATES

North On 2		
Vehicle Type	Vol	%
A: Passenger Vehicle	6463	92.0
B: Recreational Vehicle	219	3.1
C: Bus	7	0.1
D: Single Unit Truck	135	1.9
E: Tractor Trailer Unit	204	2.9
Total	7028	

West On CranstonAv		
Vehicle Type	Vol	%
A: Passenger Vehicle	2016	95.4
B: Recreational Vehicle	19	0.9
C: Bus	18	0.9
D: Single Unit Truck	44	2.1
E: Tractor Trailer Unit	17	0.8
Total	2114	

East On SetonBlvd		
Vehicle Type	Vol	%
A: Passenger Vehicle	2112	96.2
B: Recreational Vehicle	10	0.5
C: Bus	16	0.7
D: Single Unit Truck	46	2.1
E: Tractor Trailer Unit	12	0.5
Total	2196	

South On 2		
Vehicle Type	Vol	%
A: Passenger Vehicle	4309	89.9
B: Recreational Vehicle	202	4.2
C: Bus	5	0.1
D: Single Unit Truck	89	1.9
E: Tractor Trailer Unit	187	3.9
Total	4792	



TURNING MOVEMENT ABBREVIATIONS

- NR: Traffic From North Turning Right
- NL: Traffic From North Turning Left
- NT: Traffic From North Proceeding Through
- SR: Traffic From South Turning Right
- SL: Traffic From South Turning Left
- ST: Traffic From South Proceeding Through
- ER: Traffic From East Turning Right
- EL: Traffic From East Turning Left
- ET: Traffic From East Proceeding Through
- WR: Traffic From West Turning Right
- WL: Traffic From West Turning Left
- WT: Traffic From West Proceeding Through