

### Turning Movement Summary Diagram

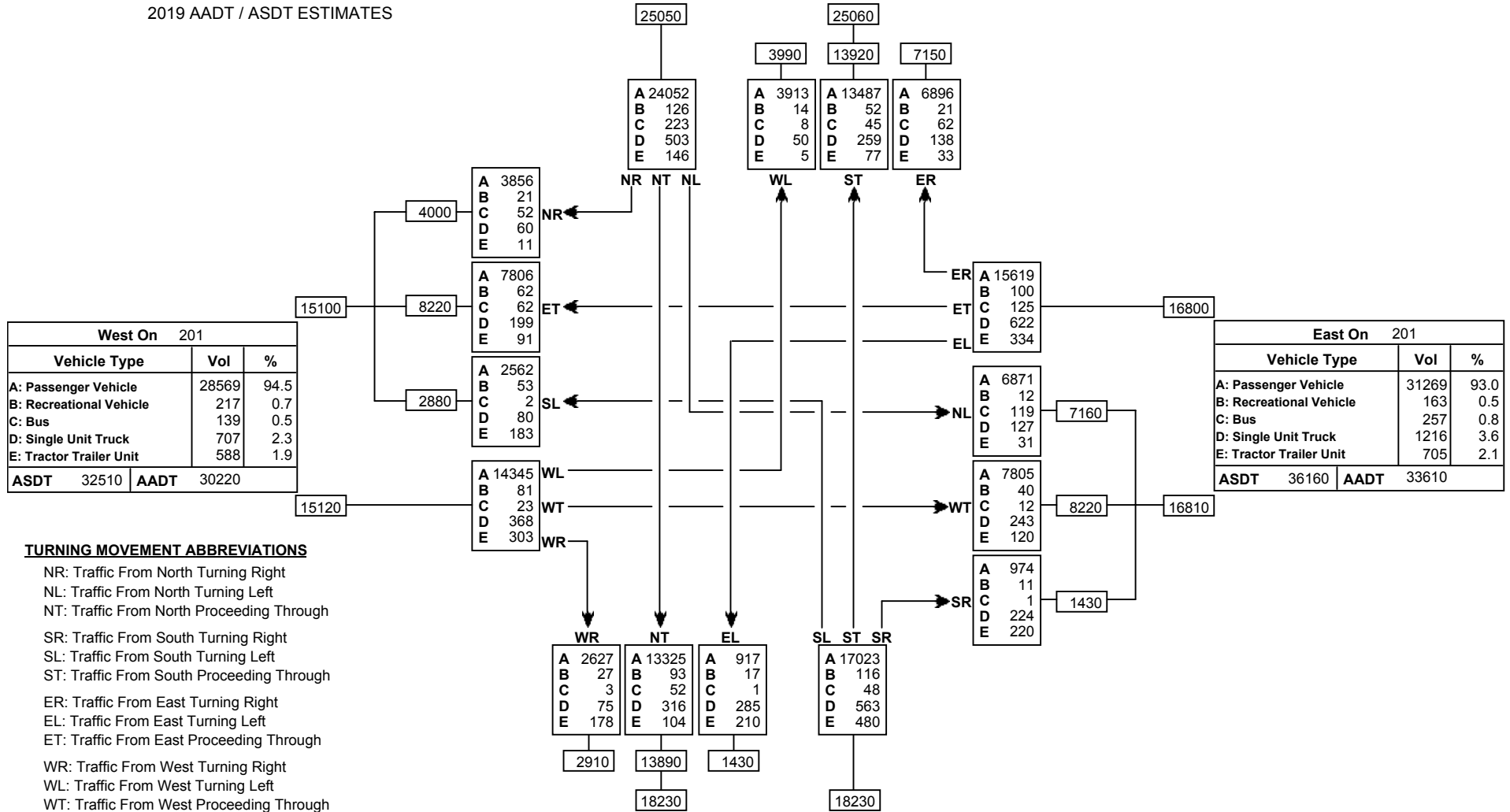
Reference No.: 20100085

Intersection of:

201 (22X) & MACLEOD TR SW (2A), CALGARY

2019 AADT / ASDT ESTIMATES

North On		Macleod Tr	
Vehicle Type	Vol	%	
A: Passenger Vehicle	48348	96.5	
B: Recreational Vehicle	213	0.4	
C: Bus	338	0.7	
D: Single Unit Truck	950	1.9	
E: Tractor Trailer Unit	261	0.5	
<b>ASDT</b>	<b>53910</b>	<b>AAADT</b>	<b>50110</b>



#### TURNING MOVEMENT ABBREVIATIONS

- NR: Traffic From North Turning Right
- NL: Traffic From North Turning Left
- NT: Traffic From North Proceeding Through
- SR: Traffic From South Turning Right
- SL: Traffic From South Turning Left
- ST: Traffic From South Proceeding Through
- ER: Traffic From East Turning Right
- EL: Traffic From East Turning Left
- ET: Traffic From East Proceeding Through
- WR: Traffic From West Turning Right
- WL: Traffic From West Turning Left
- WT: Traffic From West Proceeding Through

#### TURNING MOVEMENT ABBREVIATIONS

- AAADT: Annual Average Daily Traffic  
Average daily traffic expressed as vehicles per day for period of January 1 to December 31 (365 days)
- ASDT: Average Summer Daily Traffic  
Average daily traffic expressed as vehicles per day for period of May 1 to September 30 (153 days)

South On		Macleod Tr	
Vehicle Type	Vol	%	
A: Passenger Vehicle	33892	93.0	
B: Recreational Vehicle	253	0.7	
C: Bus	104	0.3	
D: Single Unit Truck	1239	3.4	
E: Tractor Trailer Unit	972	2.7	
<b>ASDT</b>	<b>39230</b>	<b>AAADT</b>	<b>36460</b>

### Turning Movement Summary Diagram

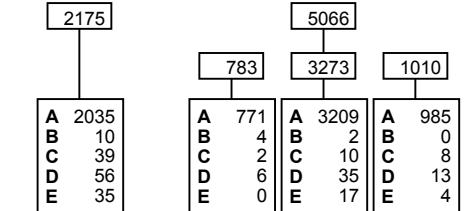
Reference No.: 20100085

Intersection of:

201 (22X) & MACLEOD TR SW (2A), CALGARY

2019 a.m. 100th Highest Hour ESTIMATES

North On Macleod Tr		
Vehicle Type	Vol	%
A: Passenger Vehicle	7000	96.7
B: Recreational Vehicle	16	0.2
C: Bus	59	0.8
D: Single Unit Truck	110	1.5
E: Tractor Trailer Unit	56	0.8
<b>Total</b>	<b>7241</b>	

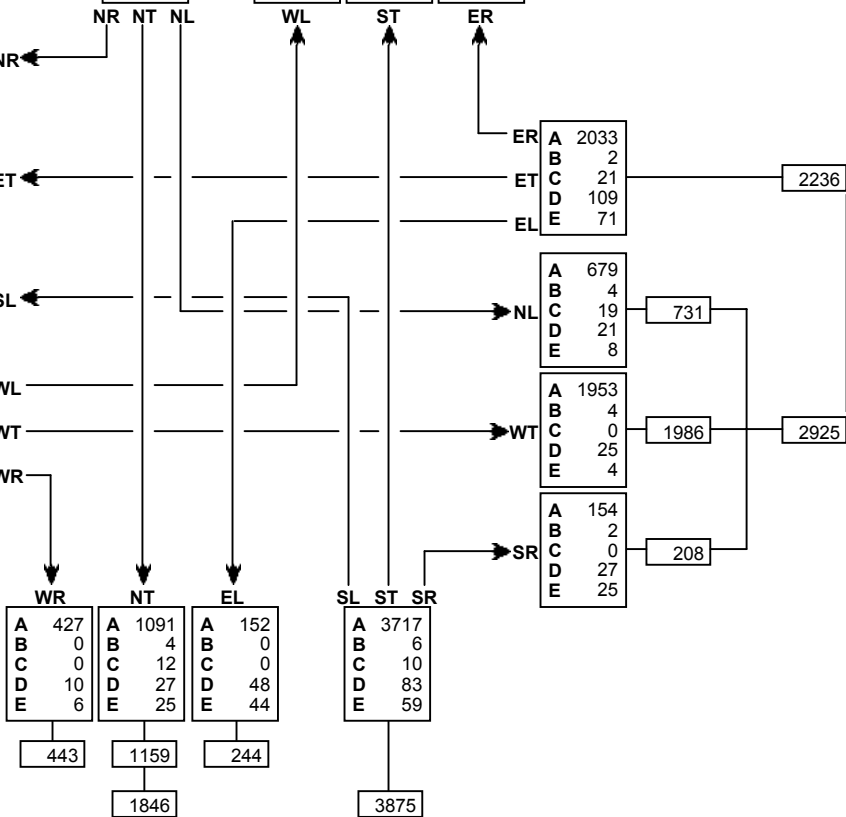


West On 201		
Vehicle Type	Vol	%
A: Passenger Vehicle	4666	95.8
B: Recreational Vehicle	14	0.3
C: Bus	23	0.5
D: Single Unit Truck	118	2.4
E: Tractor Trailer Unit	52	1.1
<b>Total</b>	<b>4873</b>	

East On 201		
Vehicle Type	Vol	%
A: Passenger Vehicle	4819	93.4
B: Recreational Vehicle	12	0.2
C: Bus	40	0.8
D: Single Unit Truck	182	3.5
E: Tractor Trailer Unit	108	2.1
<b>Total</b>	<b>5161</b>	

**TURNING MOVEMENT ABBREVIATIONS**

- NR: Traffic From North Turning Right
- NL: Traffic From North Turning Left
- NT: Traffic From North Proceeding Through
- SR: Traffic From South Turning Right
- SL: Traffic From South Turning Left
- ST: Traffic From South Proceeding Through
- ER: Traffic From East Turning Right
- EL: Traffic From East Turning Left
- ET: Traffic From East Proceeding Through
- WR: Traffic From West Turning Right
- WL: Traffic From West Turning Left
- WT: Traffic From West Proceeding Through



South On Macleod Tr		
Vehicle Type	Vol	%
A: Passenger Vehicle	5387	94.2
B: Recreational Vehicle	10	0.2
C: Bus	22	0.4
D: Single Unit Truck	168	2.9
E: Tractor Trailer Unit	134	2.3
<b>Total</b>	<b>5721</b>	

### Turning Movement Summary Diagram

Reference No.: 20100085

Intersection of:

201 (22X) & MACLEOD TR SW (2A), CALGARY

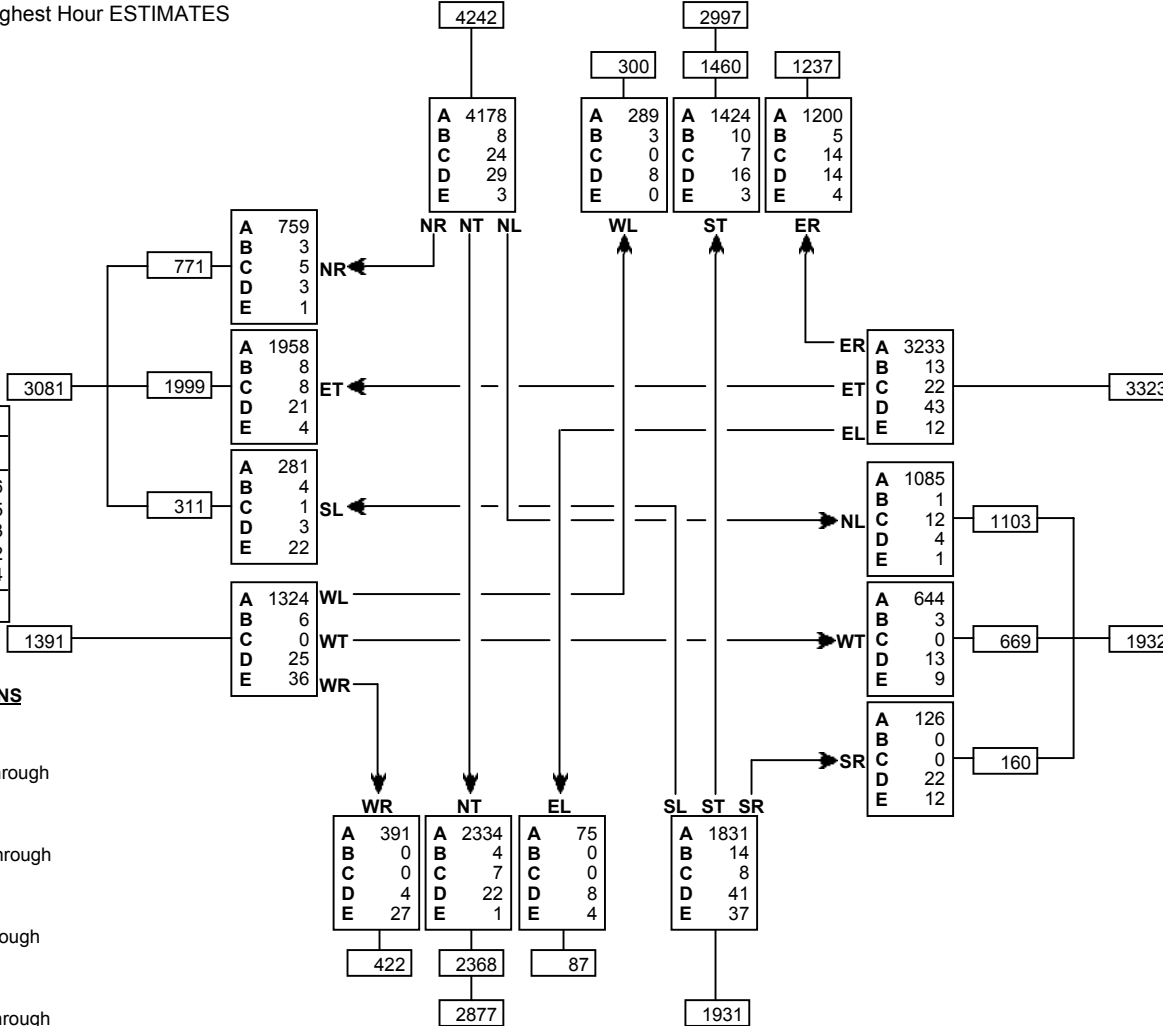
2019 p.m. 100th Highest Hour ESTIMATES

North On Macleod Tr		
Vehicle Type	Vol	%
A: Passenger Vehicle	7091	98.0
B: Recreational Vehicle	26	0.4
C: Bus	45	0.6
D: Single Unit Truck	67	0.9
E: Tractor Trailer Unit	10	0.1
<b>Total</b>	<b>7239</b>	

West On 201		
Vehicle Type	Vol	%
A: Passenger Vehicle	4322	96.6
B: Recreational Vehicle	21	0.5
C: Bus	14	0.3
D: Single Unit Truck	52	1.2
E: Tractor Trailer Unit	63	1.4
<b>Total</b>	<b>4472</b>	

East On 201		
Vehicle Type	Vol	%
A: Passenger Vehicle	5088	96.8
B: Recreational Vehicle	17	0.3
C: Bus	34	0.6
D: Single Unit Truck	82	1.6
E: Tractor Trailer Unit	34	0.6
<b>Total</b>	<b>5255</b>	

South On Macleod Tr		
Vehicle Type	Vol	%
A: Passenger Vehicle	4631	96.3
B: Recreational Vehicle	18	0.4
C: Bus	15	0.3
D: Single Unit Truck	75	1.6
E: Tractor Trailer Unit	69	1.4
<b>Total</b>	<b>4808</b>	



**TURNING MOVEMENT ABBREVIATIONS**

- NR: Traffic From North Turning Right
- NL: Traffic From North Turning Left
- NT: Traffic From North Proceeding Through
- SR: Traffic From South Turning Right
- SL: Traffic From South Turning Left
- ST: Traffic From South Proceeding Through
- ER: Traffic From East Turning Right
- EL: Traffic From East Turning Left
- ET: Traffic From East Proceeding Through
- WR: Traffic From West Turning Right
- WL: Traffic From West Turning Left
- WT: Traffic From West Proceeding Through